

# Selector® 3782 Short Backset DX Digital Mortice Locks



## Description

Lockwood DX Digital Locksets provide a mechanical method of keyless entry.

For extra security when under forced attack, the inbuilt clutching mechanism allows the outside turnknob to rotate without operating or damaging the lock.

The factory set 4 digit code is easily changed to any 4, 5 or 6 digit code using the code changing kit provided with each lock.

Lockwood Digital DX Locksets are designed to control access in commercial areas.

As the digital lockset utilizes mechanical operation, electrical wiring is not required.

## Product Details

<b>Door Thickness</b>	32 to 50mm for timber doors. 35 to 50mm for metal doors
<b>Finish</b>	Codepad: Satin Chrome Brushed (SC) Mortice Lock: Stainless Steel (SS)
<b>Codepad Assembly</b>	High purity zinc alloy, 45mm wide, 164mm high, 52mm projection
<b>Latch</b>	Stainless steel with 15mm projection

Note: As suitability of lever will be influenced by the lock backset, refer to chart for Lever/Backset compatibility Lockwood Door Handle Catalogue. Lockwood 4800 and 5800 Series (ordered separately).

### Backset

Open-out door: 23, 25.4, 30 and 38mm.  
Open-in door: 38mm recommended.  
Installation of 23, 25.4 or 30mm on open-in doors would require the door stop to be machined to clear the digital pad.

### Inside Function

Opened by lever handle at all times.

### Holdback Function

Holdback function is available, this requires the inclusion of an internal cylinder.

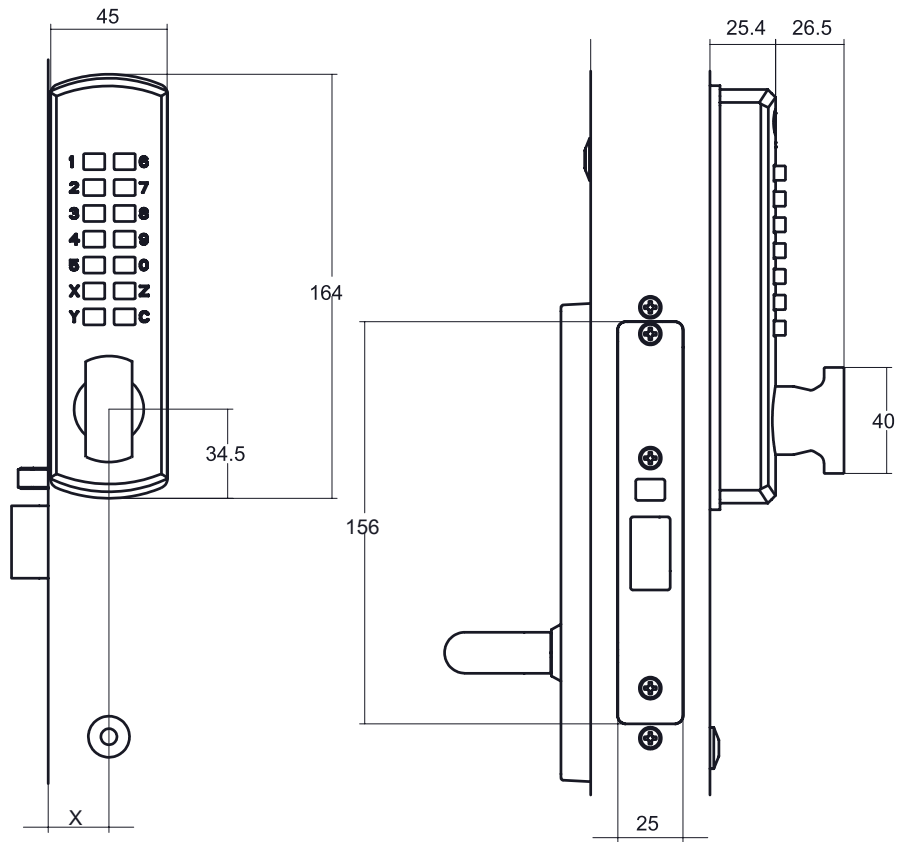
# Selector® 3782 Short Backset DX Digital Mortise Locks



Exterior



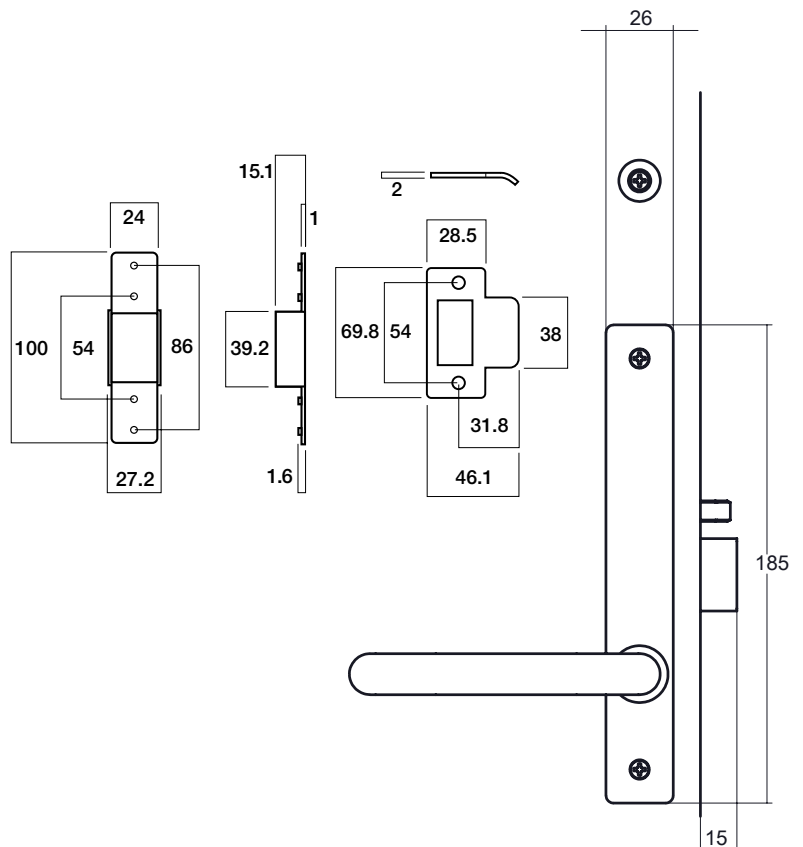
Interior



## Selector® 3782 Short Backset DX Digital Mortise Locks

Part Number	3782DX	4782DX	5782DX	6782DX
Dimension X	23	25.4	30	38

**Note:** Order by specifying 3782SS primary lock and 3782-DXKITSC.



# Selector® 3782 Short Backset DX Digital Mortice Locks

## DX Digital Mortice Lock

**Part Number** 3782DX-

DX Digital outside, plate furniture inside.

**Outside:** Opened by DX Digital with code.

**Inside:** Opened by handle at all times.

This function requires the locking bar to be positioned in the locked position once lock is set.

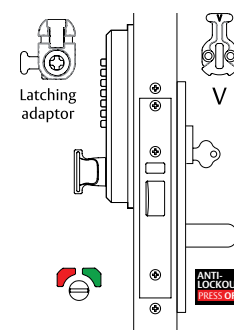
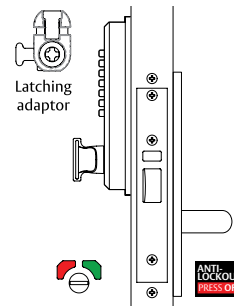
## DX Digital Mortice Lock with Holdback by Cylinder#

**Part Number** 3782DXV

DX Digital outside, plate furniture and cylinder inside.

**Outside:** Opened by DX Digital with code.

**Inside:** Opened by handle at all times. Holdback activated by key. Key retracts latch after releasing holdback.



### Notes:

All drawings shown are in right hand configuration. Part numbers shown above are for 23mm backset lock, if 25.4mm is required substitute 3 for 4 i.e. 4782, or if 30mm or 38mm lock is required, substitute 3 for 5 or 6 respectively i.e. 5782, 6782

#Latch bolt can be held within the lock. Lock function recommended for use in holdback application.

### Warning:

The MkI Latching Adaptor (now part number 3770M1-ADAPTOR) can only be used with the MkI Selector Mortice Locks and the MkII Latching Adaptor (3770M2-ADAPTOR) can only be used with MkII Selector Mortice Locks.

For the 3780 Series short backset mortice locks, the MkI Latching Adaptor 3770M1-ADAPTOR must be used where a latching adaptor is required.

### Legend

Hub Setting



Anti-lockout Selection



Cam or Adaptor

