

Selector® 3782 Short Backset Key Override DX Digital Mortice Locks



Description

Lockwood DX Digital Locksets provide a mechanical method of keyless entry.

For extra security when under forced attack, the inbuilt clutching mechanism allows the outside turnknob to rotate without operating or damaging the lock.

The factory set 4 digit code is easily changed to any 4, 5 or 6 digit code using the code changing kit provided with each lock.

Lockwood Digital DX Locksets are designed to control access into commercial areas.

As the digital lockset utilizes mechanical operation, electrical wiring is not required.

Product Details

Door Thickness	43 to 46mm for metal doors
Finish	Codepad: Satin Chrome Brushed (SC) Mortice Lock: Stainless Steel (SS)
Codepad Assembly	High purity zinc alloy, 45mm wide, 164mm high, 52mm projection
Latch	Stainless steel with 15mm projection

Note: As suitability of lever will be influenced by the lock backset, refer to chart for Lever/Backset compatibility Lockwood Door Handle Catalogue. Lockwood 4800 and 5800 Series (ordered separately).

Backset

Open-out door: 23, 25.4, 30 and 38mm.
Open-in door: 38mm recommended.
Installation of 23, 25.4 or 30mm on open-in doors would require the door stop to be machined to clear the digital pad.

Inside Function

Opened by lever handle at all times.

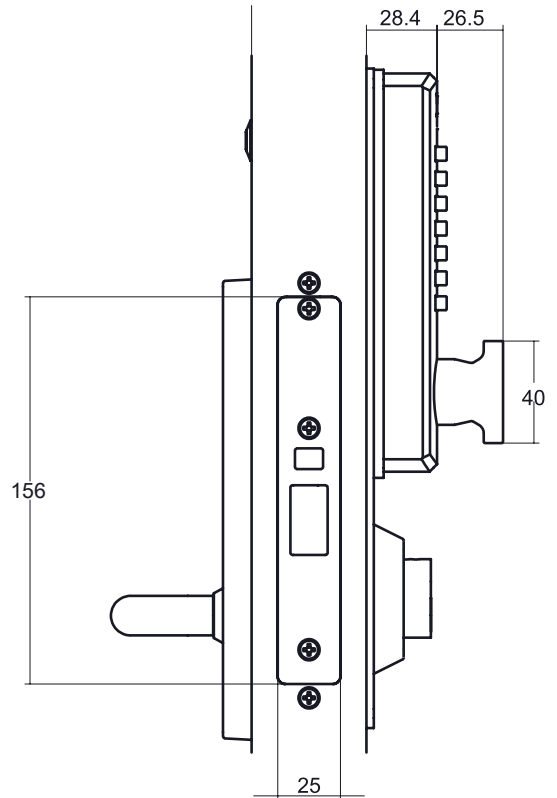
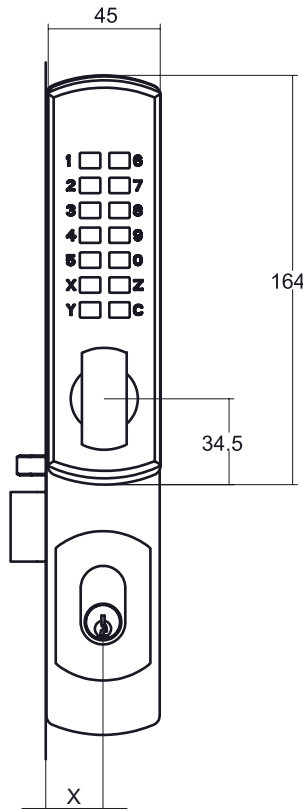
Holdback Function

Holdback function is available, this requires the inclusion of an internal cylinder.

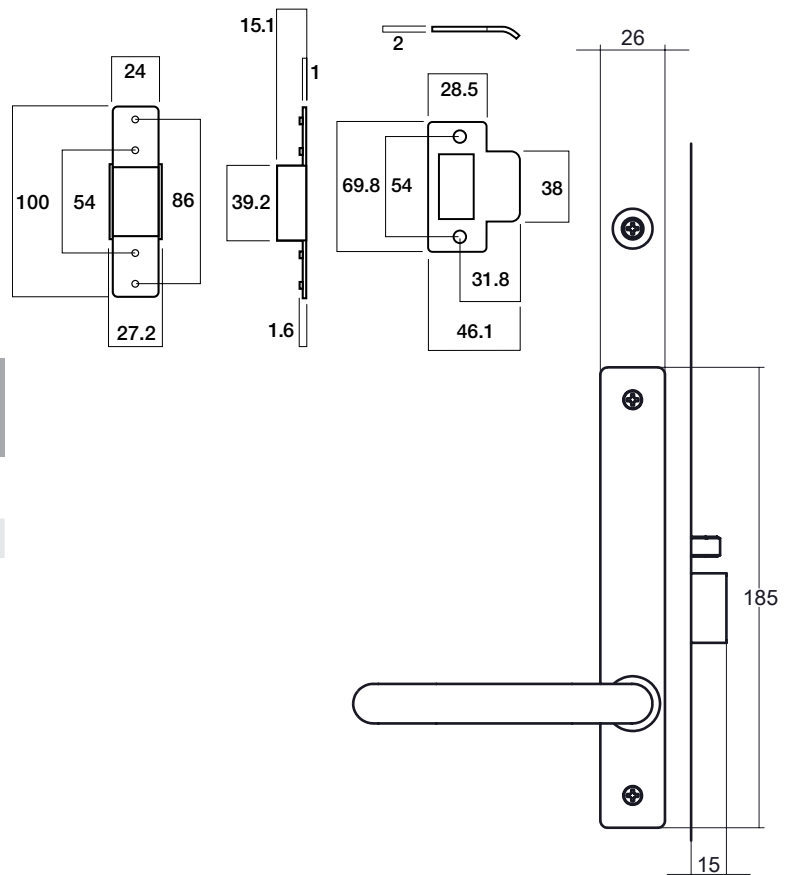
Selector® 3782 Short Backset Key Override DX Digital Mortise Locks



Exterior



Interior



Selector® 3782 Short Backset Key Override DX Digital Mortise Locks

Part Number	3782DXKO	4782DXKO	5782DXKO	6782DXKO
Dimension X	23	25.4	30	38

Note: Order by specifying 3782SS primary lock and 3782-DXKOKITSC. Cylinders must be ordered separately. Key Override DX Digital kit only suits 43-46mm door thickness.

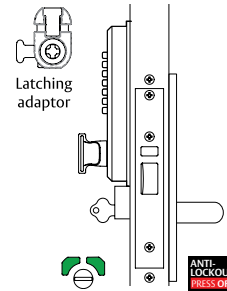
Selector® 3782 Short Backset Key Override DX Digital Mortice Locks

DX Digital Mortice Lock with Key Override

Part Number 3782DXKO-

DX Digital and lower cylinder outside, plate furniture inside.
Outside: Opened by DX Digital with code or key at all times.

Inside: Opened by handle at all times.



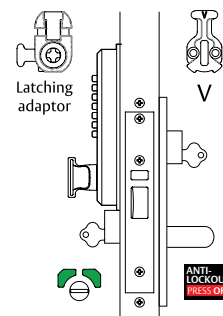
DX Digital Mortice Lock with Key Override and Internal Cylinder#

Part Number 3782DXKOV

DX Digital and lower cylinder outside, plate furniture and cylinder inside.

Outside: Opened by DX Digital with code or key at all times.

Inside: Opened by handle at all times. Holdback activated by key. Key retracts latch after releasing holdback.



Notes:

All drawings shown are in right hand configuration. Part numbers shown above are for 23mm backset lock, if 25.4mm is required substitute 3 for 4 i.e. 4787, or if 30mm or 38mm lock is required, substitute 3 for 5 or 6 respectively i.e. 5787, 6787

#Latch bolt can be held within the lock. Lock function recommended for use in holdback application.

Warning:

The MkI Latching Adaptor (now part number 3770M1-ADAPTOR) can only be used with the MkI Selector Mortice Locks and the MkII Latching Adaptor (3770M2-ADAPTOR) can only be used with MkII Selector Mortice Locks. For the 3780 Series short backset mortice locks, the MkI Latching Adaptor 3770M1-ADAPTOR must be used where a latching adaptor is required.

Legend

Hub Setting



Anti-lockout Selection



Cam or Adaptor



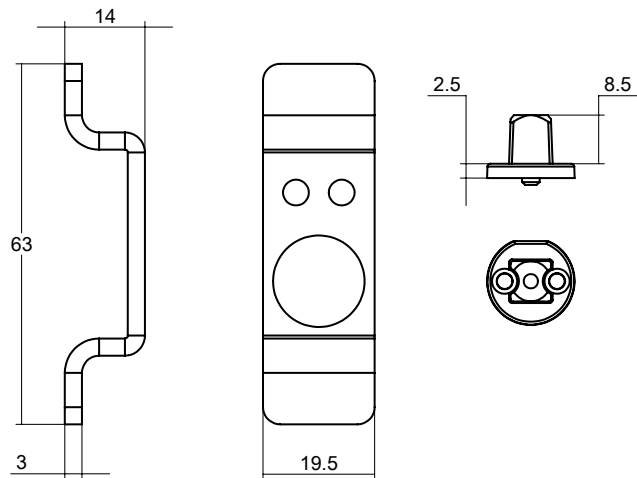
Selector® 3780 Series Accessories

Dual Entry Kit

Part Number	Application
3787-KIT570E	For new 3787 dual entry applications

Dual Entry Kit include: Lower cylinder mounting plate, spindle cam and mounting screws.

Cylinders must be ordered separately. Dual Entry Kit only suitable on doors 43-46mm thick.



DX Digital Kits

Part Number	Application
3782-DXKITSC	DX Digital Kit
3782-DXKOKITSC	DX Digital with Key Override Kit

DX Digital kits include: Digital codepad, mounting plate, codepad spindle, associated mounting screws and a latching adaptor.

Cylinders and door furniture (4800 or 5800 series) must be ordered separately.

DX Digital with Key Override only suitable on doors 43-46mm thick.

