

Selector® 3772 MkII Key Override DX Digital Mortice Locks



Description

Lockwood DX Digital Locksets provide a mechanical method of keyless entry and are designed to control access into commercial areas.

For extra security when under forced attack, the inbuilt clutching mechanism allows the outside turnknob to rotate without operating or damaging the lock.

The factory set 4 digit code is easily changed to any 4, 5 or 6 digit code using the code changing kit provided with each lock.

As the digital lockset utilizes mechanical operation, electrical wiring is not required.

Outside Function

Outside: Press the C button, enter the correct code, then turn the turnknob to unlock the door. Upon releasing the turnknob the code is automatically cancelled. The key override pin tumbler cylinder enables quick access by key for authorities such as the fire brigade or those who need to carry a master key to access all rooms of a building.

Warning:

The Latching Adaptor for Selector 3770 Series MkII is not backwards compatible. Therefore, 3770M1-ADAPTOR **MUST** be used for Selector Mortice Lock MkI and 3770M2-ADAPTOR **MUST** be used for Selector Mortice Lock MkII.

Product Details

Backset	Available in 60, 89 and 127mm backsets.
Cylinder	Pin tumbler mechanism with oval brass cylinder
Door Thickness	32mm to 50mm
Finish	Codepad: Satin Chrome Brushed (SC) Mortice Lock: Stainless Steel (SS)
Latch	Stainless steel with 15mm projection

Door Furniture (Lockwood 1800 and 2800 Series) and lower cylinder must be ordered separately.

Inside Function

Opened by lever handle at all times.

Holdback Function

A key operated holdback function is available as a lock setting and requires the inclusion of an internal cylinder.

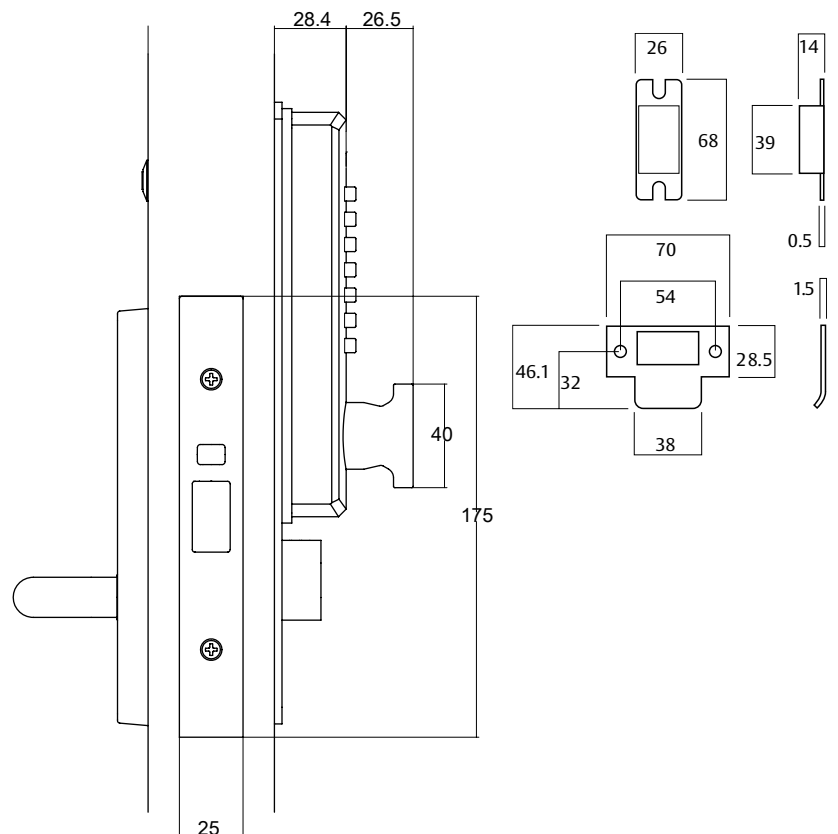
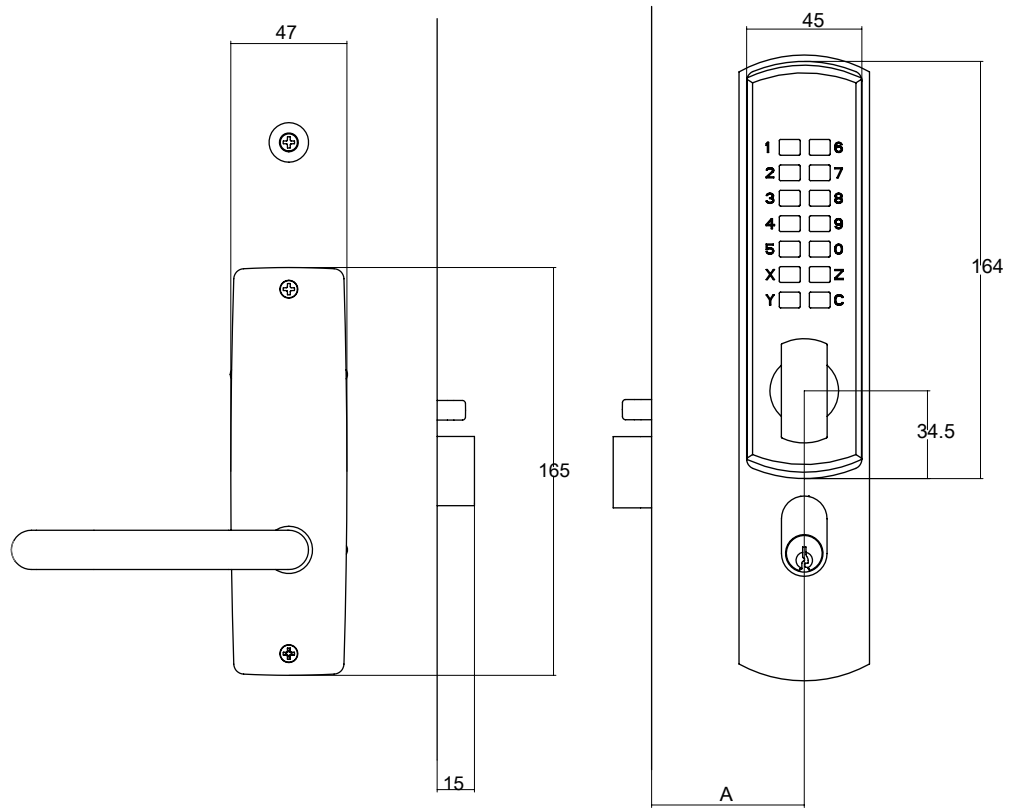
Selector® 3772 MkII Key Override DX Digital Mortise Locks



Exterior



Interior



Selector® 3772 Key Override DX Digital Mortise Locks

Part Number	3772DXKO	4772DXKO	5772DXKO
Dimension A	60	89	127

Note: Order by specifying 3772SS primary lock and 3772-DXKOKITSC. Cylinders must be ordered separately.

For 3772SS MkI primary lock, 3772M1-DXKOKITSC must be ordered.

Selector® 3772 MkII Key Override DX Digital Mortise Locks

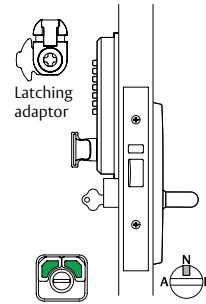
Key Override DX Digital Mortise Lock

Part Number 3772DXKO-

DX Digital and lower cylinder outside, plate furniture inside.

Outside: Opened by DX Digital with code or key at all times.

Inside: Opened by handle at all times.



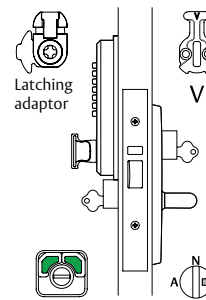
Key Override DX Digital Mortise Lock with Holdback by Cylinder#

Part Number 3772DXKOVH

DX Digital and lower cylinder outside, plate furniture and cylinder inside.

Outside: Opened by DX Digital with code or key at all times.

Inside: Opened by handle at all times. Holdback activated by key. Key retracts latch after releasing holdback.



Notes:

All drawings shown are in right hand configuration.

Part numbers shown above are for 60mm backset lock, if 89mm is required substitute 3 for 4 i.e. 4772, or if 127mm lock is required, substitute 3 for 5 i.e. 5772

#Holdback - Latch bolt can be held within the lock. **Holdback must not be activated on fire doors.** For questions concerning our fire rated products, their specifications and their utilization please contact ASSA ABLOY or relevant Fire Door manufacturer.

Warning:

The MkI Latching Adaptor (now part number 3770M1-ADAPTOR) can only be used with the MkI Selector Mortise Locks and the MkII Latching Adaptor (3770M2-ADAPTOR) can only be used with MkII Selector Mortise Locks.

Legend

Hub Setting



Lock Function Setting



Cam or Adaptor



Selector® 3770 Series Accessories

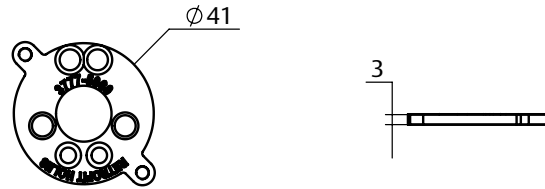
Dual Entry Kits

Part Number	Application
3777-KIT	For new 3777 dual entry applications

Dual Entry kit includes: Lower cylinder mounting plate, spindle cam and mounting screws.

Cylinders must be ordered separately.

The new MkII 3770 Series Lower Cylinder Mounting Kit (3777-KIT) can hold the 570E, 577 and 10,000 cylinders. Selector MkI 3770 Series Lower Cylinder Mounting Kits can be ordered and are part numbers 3770M1-KIT570E and 3770M1-KIT577



3777-KIT

DX Digital Kits

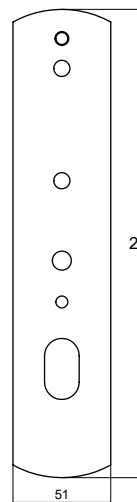
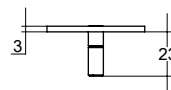
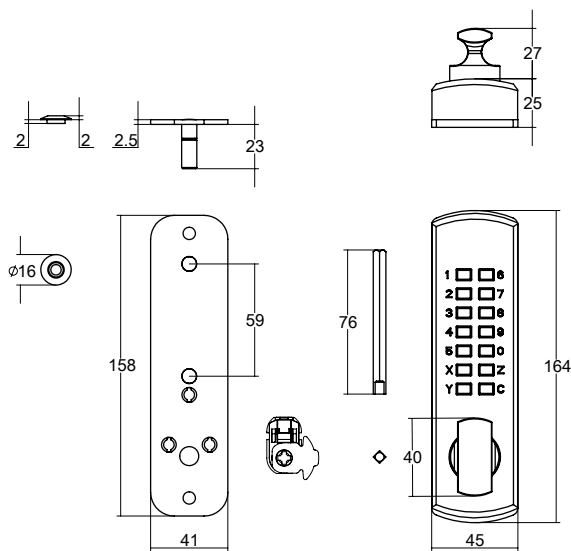
Part Number	Application
3772-DXKITSC	DX Digital Kit
3772-DXKOKITSC	DX Digital with Key Override Kit

DX Digital kits include: Digital codepad, mounting plate, codepad spindle, associated mounting screws and a latching adaptor.

Cylinders and door furniture (1800 or 2800 series) must be ordered separately.

Warning:

The MkI Latching Adaptor (now part number 3770M1-ADAPTOR) can only be used with the MkI Selector Mortice Locks and the MkII Latching Adaptor (3770M2-ADAPTOR) can only be used with MkII Selector Mortice Locks.



Mounting plate with lower cylinder hole, lower cylinder mounting plate and spindle cam are only included in 3772-DXKOKITSC

