

Land Rover Defender Td5 & Tdci Switch Wiring Guide

This guide refers to the small rectangular switches found in the Defender Td5 dashboard and Defender Tdci/Puma dashboard. Guides and resources for the Electric window and Hazard switches can be found within their individual product pages on the MUD UK website.



Before continuing, please remember...

- This diagram is for reference only. Wiring colours are for reference and display only.
- This document is only to be used as a guide. Remember re-wiring any vehicle can be a huge undertaking and appropriate research beyond this document should be undertaken. If in doubt always seek advice from a qualified auto-electrician.

Housing Connectors

You'll need to use the correct Land Rover housing connector in conjunction with your switch.

- There are 4 different coloured 5 pin connectors used in the Defender. Coloured connectors are keyed to their respective switches and are therefore not interchangeable between the switches. It is however possible to adapt the connectors by removing the keyways from them. We would always recommend using the correct colour for each switch wherever possible.
- We have listed which colour connector you need for which switch within the product pages of the website.
- Please also note that the colour of the connector does not affect which wiring scheme you follow.



Wiring the switch

There are two different ways to wire the Defender switches. The most common mistake by far when adding or re-wiring switches is to use the wrong circuit. Please make sure you use the information below to correctly identify which wiring scheme to use. Remember the colour of the housing connector does not have any relevance when it comes to wiring the switch.

The switch is not a load carrying switch and a 30amp relay must be used in all applications. Make sure that the correct wire grade and good electrical guidelines are followed to prevent damage to electrical and electronic components. Always adequately insulate & secure any wiring to prevent short-circuits.

The following switches switch the Earth/Ground Circuit (Defender Td5/Tdci unless otherwise stated)

Rear Wiper YUG000350LNF

Fog YUG000530LNF

Heated Windscreen

Rear Wash-Wipe YUE000070LNF

Front Fog YUG000540LNF

YUG000460LN

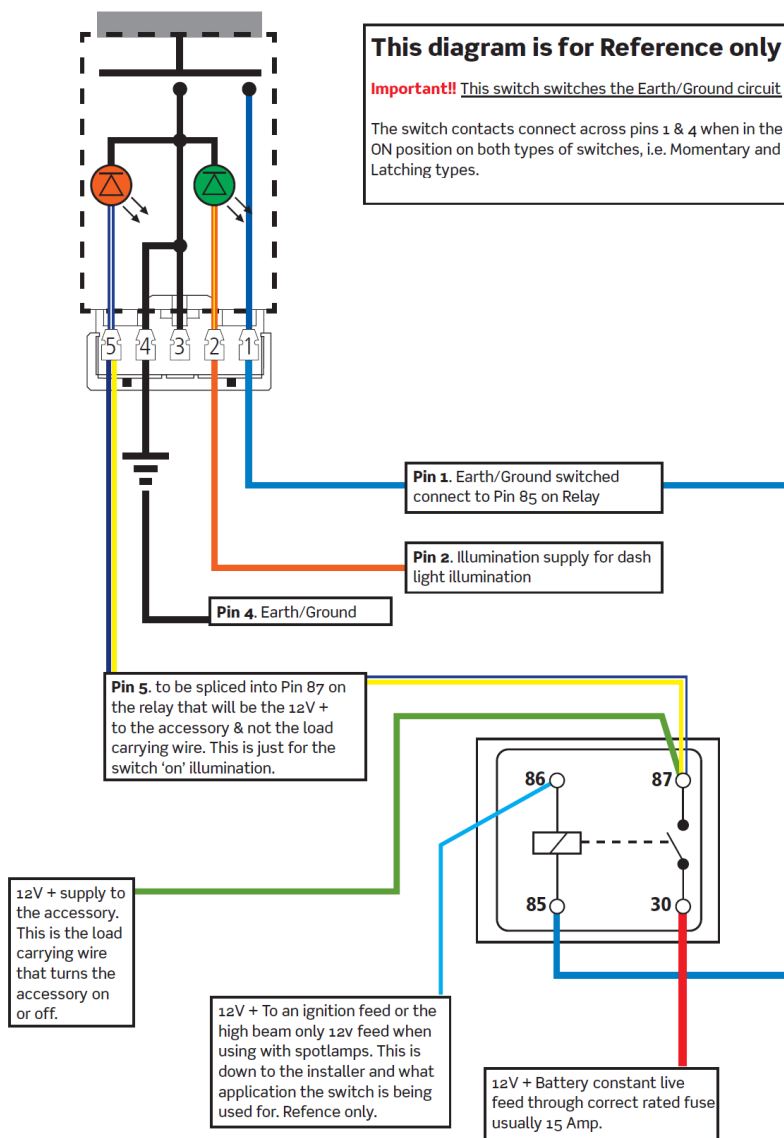
Pin 1 - From the earth side of the Relay (Pin 85)

Pin 2 - Dash/ sidelight illumination- green illumination

Pin 3 - Not used (internally connected to 4)

Pin 4 – Earth

Pin 5 - Live from accessory side of relay (Pin 87)- amber off/on illumination controlled by relay



If you are considering using a genuine Land Rover switch but just require the body of the switch to use in conjunction with the Bearnach range of switch rockers then the following switches switch the positive live circuit and are generally easier to install than the earth/ground switches. As such these switches are harder to source and a few of them are now obsolete at Land Rover.

The following switches switch the Positive/Live Circuit (Defender Td5/Tdci unless otherwise stated)

Heated Rear Screen YUG000470LNF

Td5 Heated Seat switch RH YUG102440

Air Conditioning JTB500010

Td5 Heated Seat switch LH YUG102430

Heated Seat Switch YUF500150LNF

Discovery 2 Heated Seat switches YUG102430, YUG102440, YUF500050PUY, YUF500080PUY.

Pin 1 - Live in from fused supply

Pin 2 - Dash/ sidelight illumination- green illumination

Pin 3 - Not used (internally connected to 5)

Pin 4 - Switched live out to accessory/ relay

Pin 5 - Earth

