

INSTALLATION GUIDE

ALUMINA TABLE LAMP

Thoughtful lighting, responsibly designed in London.

Thank you for making the switch to Tala.
Discover the full Tala family at us.tala.co.uk.

BEFORE STARTING

Please read instructions thoroughly before installation and keep them for future reference. Please take extreme care when dealing with electrical equipment.

IMPORTANT

Bulb must be installed in fixture before turning on.
If hardwiring into an outlet box, we recommend using a 4 x 2 1/8in, thin junction box.

WARNING

Incorrect assembly may result in risk of fire or electric shock.

CARE AND CLEANING

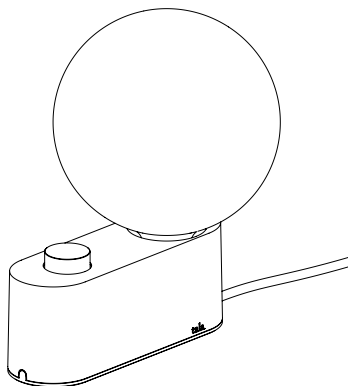
We recommend cleaning with a soft dry cloth. Do not use abrasive materials as these will damage the finish of the product.

AFTER-CARE

Please note, the flexible cable attached to this luminaire cannot be replaced; if the cable is damaged, recycle the luminaire and seek a replacement.

SKU - ALM-SPHR-IV-SAP-TBL-01-US
SKU - ALM-SPHR-IV-SGE-TBL-01-US
SKU - ALM-SPHR-IV-BLS-TBL-01-US
SKU - ALM-SPHR-IV-CHK-TBL-01-US
SKU - ALM-SPHR-IV-CHR-TBL-01-US

FOR INDOOR USE ONLY



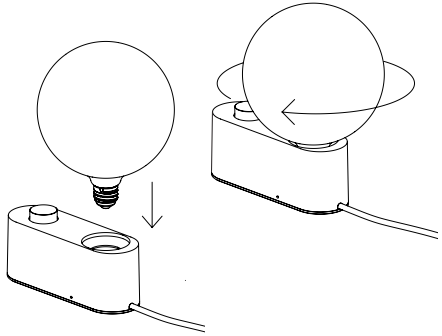
Scan me for more technical help



Table Configuration

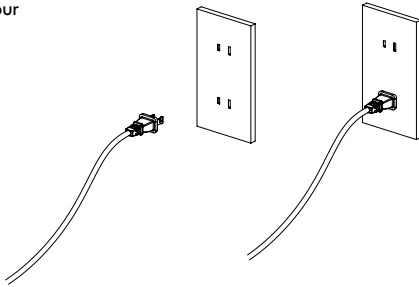
STEP 1

Insert your bulb into the top of the lamp, rotating clockwise until tight. Take care not to tighten too much to avoid breakage.



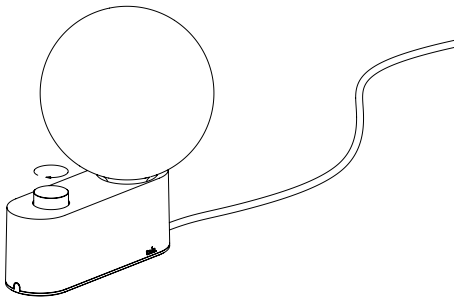
STEP 2

Insert the lamp plug into your chosen wall socket.



STEP 3

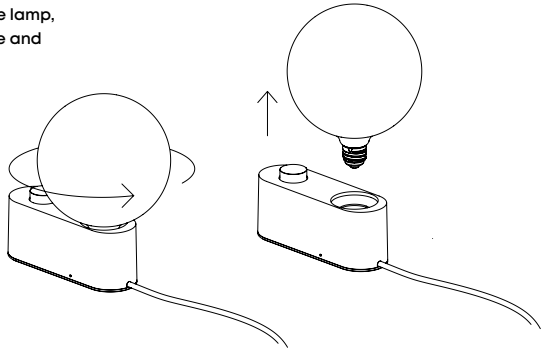
Rotate the dial on your dimmer until the bulb lights up. Adjust the dimmer for your desired light output.



Wall Configuration

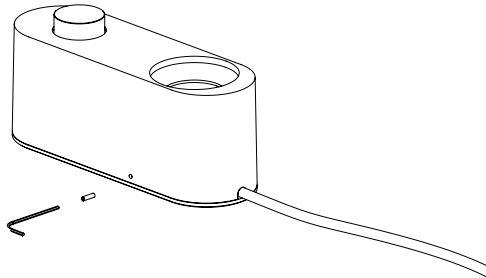
STEP 1

Remove your bulb from the lamp, rotating counter clockwise and set aside.



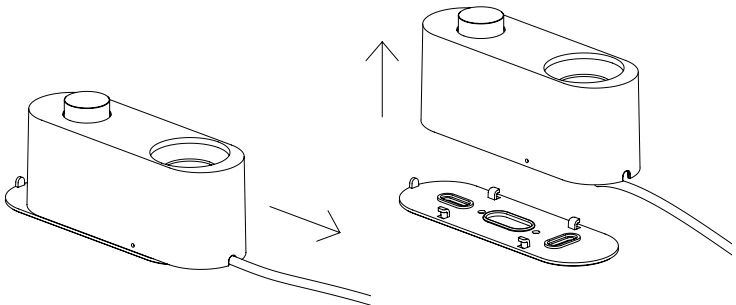
STEP 2

Remove the small lock screw from the side of the lamp with the hex key provided



STEP 3

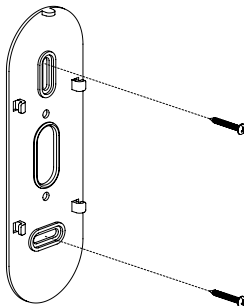
Slide the lamp towards the cable to disconnect it from the base. Lift the lamp and set it aside.



Wall Configuration

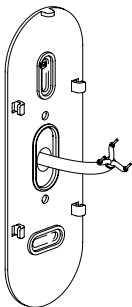
STEP 4

Attach the base to your wall in the orientation shown below. Always choose screws and plugs that are appropriate for the wall.



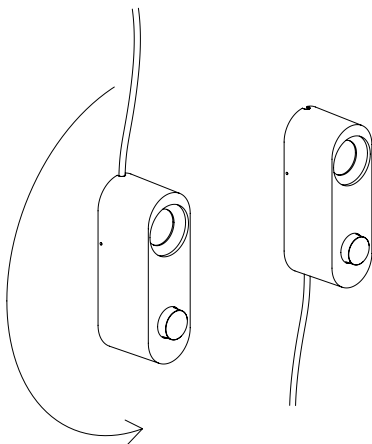
STEP 5 (OPTIONAL)

Customers who wish to hard wire the product into the household mains. Please consult a qualified electrician to perform this modification. Junction boxes are not provided. If using an outlet box, we recommend using a 4 x 2 1/8 in. thin outlet box.



STEP 6

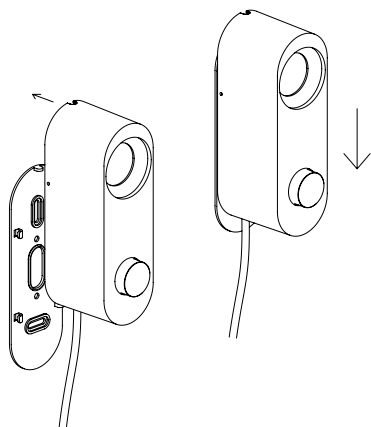
Move the cable from the top to the bottom opening.



Wall Configuration

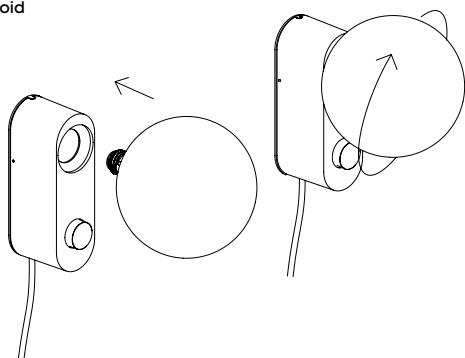
STEP 7

Align the lamp above the base and slide down to lock in place .



STEP 8

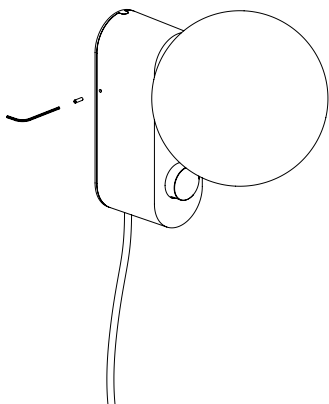
Insert your bulb into the front of the lamp, rotating clockwise until tight. Take care not to tighten too much to avoid breakage.



STEP 9

Re-attach the lock screw using the hex tool provided.

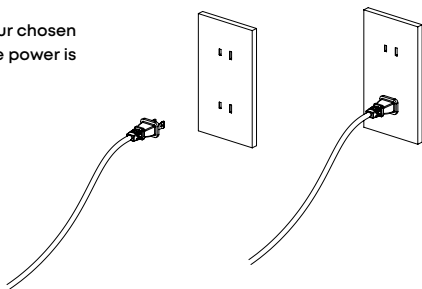
Tighten until flush with the outside surface of the lamp . Over-tightening may result in the screw becoming lost inside the lamp.



Wall Configuration

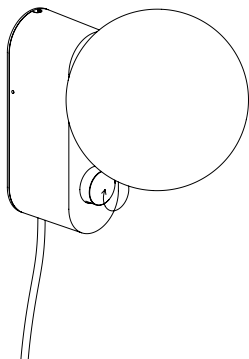
STEP 10

Insert the lamp plug into your chosen wall socket, making sure the power is switched off..



STEP 11

Switch the power on and rotate the dial on your dimmer until the bulb lights up. Adjust the dimmer for your desired light output.



WARRANTY AND AFTER-CARE

This product has a two-year warranty. If there appears to be a functional defect with the product during this time, please contact our team at customerservice@tala.co.uk.

Join the Community

Instagram: @tala | Facebook: talaHQ | Pinterest: TalaLED | Tag: lighttoliveby
Tala Energy Ltd, 25B Vyner Street, London E2 9DG | +44 20 3026 3246 | hello@tala.co.uk
Tala North America, Inc. 2 Research Place, Suite 300, Rockville, MD 20850