

Installation Guide

BASALT PENDANT

Thoughtful lighting, responsibly designed in London.

Thank you for making the switch to Tala.
Discover the full Tala family at us.tala.co.uk

BEFORE STARTING

We advise the fitting of our ceiling rose and pendant to be performed by a qualified electrician. Please read through these instructions before commencing work, and keep them for future reference. Please take extreme care when carrying out these instructions.

IMPORTANT

This light fitting must be connected to the supply earth. If your lighting circuit does not have an earth, ask a qualified electrician to provide an earth facility. This light fitting is suitable for indoor use only. This fitting operates on 120V mains voltage. Please visit our website to see our recommended dimmers.

WARNING

Always switch off electricity supply at the mains during installation and maintenance. We recommend that the fuse is withdrawn or the circuit breaker is switched off whilst work is in progress. Do not just turn off at the wall switch. All fittings must be installed in accordance with current NFPA 70, National Electrical Code (NEC).

RECOMMENDED EQUIPMENT

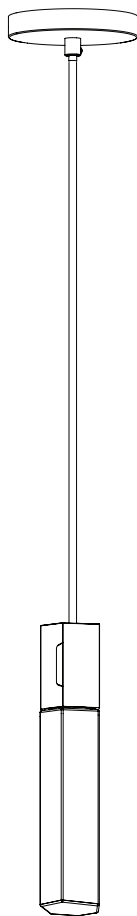
- Screwdriver
- Wire strippers
- Insulation tape

Further equipment may be required for fixing to your ceiling

FOR INDOOR USE ONLY

SKU - BSALT-I-SET-SGL-PD-01-US

SKU - BSALT-I-SET-SGL-PD-02-US



Scan me for more
technical help

FOR INDOOR USE ONLY

SKU - BSALT-I-SET-SGL-PD-01-US

SKU - BSALT-I-SET-SGL-PD-02-US



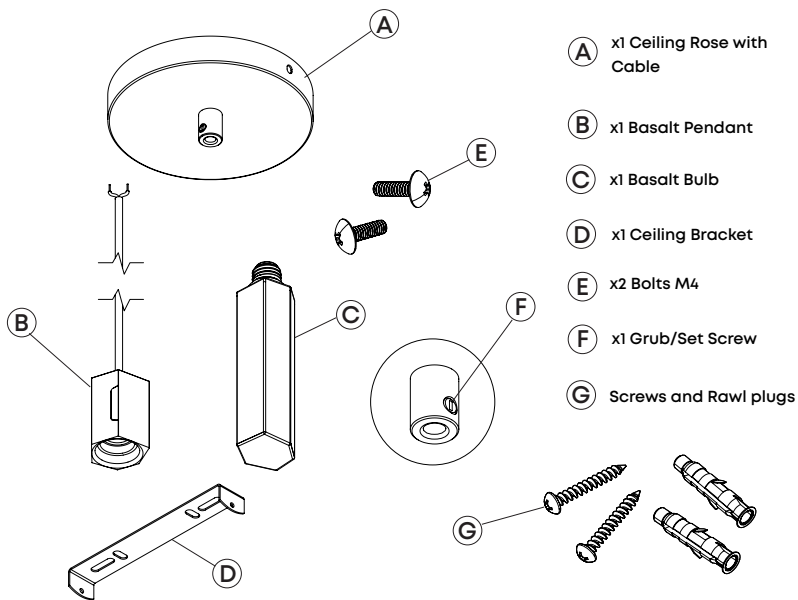
IP20

110-120V



Intertek
5018709

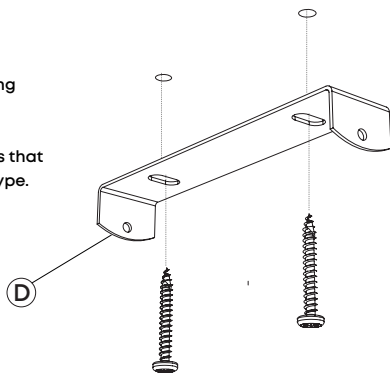
Pendant Components



STEP 1

Attach bracket **(D)** to your ceiling using screws and plug.

Always choose screws and plugs that are appropriate for the ceiling type.

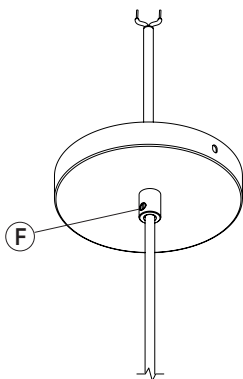


STEP 2

Adjust the cord to your desired length. Using a flat head screw driver, tighten 'grub/set screw' **(F)**.

This will secure the cable in place.

Cut off excess cable and strip wires to expose the copper core. Maintain all double insulation.

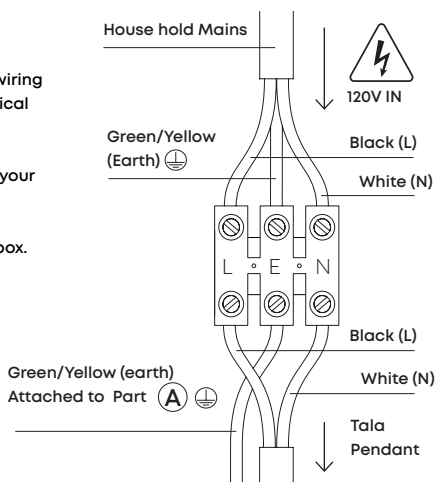


STEP 3

First identify your household wiring using NFPA 70, National Electrical Code (NEC).

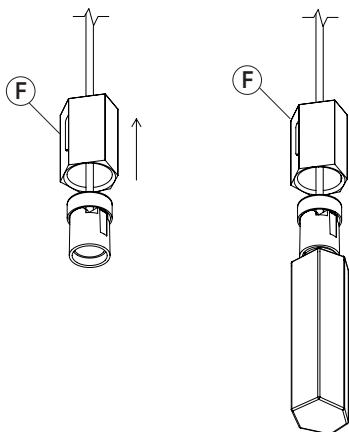
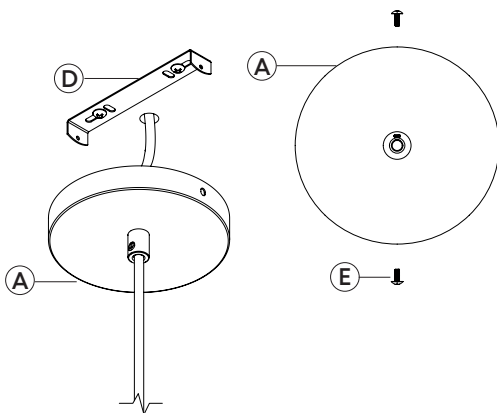
Attach the pendant wiring to your household supply as shown.

Use an appropriate junction box.



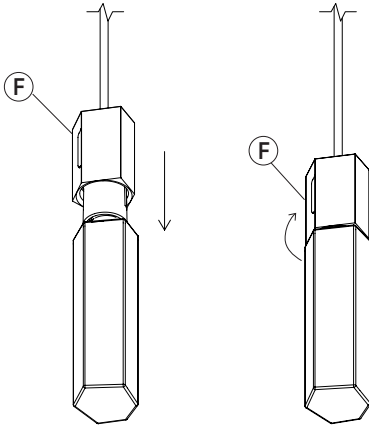
STEP 4

Fasten the ceiling rose (A) onto the ceiling bracket (D) using the bolts provided (E).



STEP 5

Lift metal sleeve (F) and screw in the bulb firmly. Take care not to let the metal sleeve fall onto the bulb.



STEP 6

Carefully lower metal sleeve (F) onto the bulb and rotate until the sides of the sleeve align with the bulb.

Make any final adjustments before switching on the lights.

WARRANTY AND AFTER-CARE

This product has a two-year warranty. If there appears to be a functional defect with the product during this time, please contact our team at customerservice@tala.co.uk.

Please note, the flexible cable attached to this luminaire cannot be replaced; if the cable is damaged, recycle the luminaire and seek a replacement.

Join the Community

Instagram: @tala | Facebook: talaHQ | Pinterest: TalaLED | Tag: lighttoliveby

Tala Energy Ltd. 25B Vyner Street, London, E2 9DG | hello@tala.co.uk

Tala North America, Inc. 2 Research Place, Suite 300, Rockville, MD 20850