

User Guide

THE MUSE WALL LIGHT

Thoughtful lighting, responsibly designed in London.

Thank you for making the switch to Tala.
Discover the full Tala family at tala.co.uk

PREPARATION

Please read instructions thoroughly before installation and keep them for future reference.

Improper assembly can undermine the safety and longevity of the product.

IMPORTANT

The product is designed to work with the bulb provided. Do not use alternative bulb as product will not work effectively. For replacements, visit the Tala website or contact us for assistance.

This light fitting must be connected to the supply earth. If your lighting circuit does not have an earth, ask a qualified electrician to provide an earth facility. This fitting operates on 120V mains voltage. Please visit our website to see our recommended dimmers. This product is suitable for use in bathrooms and outdoor locations*.

WARNING

The Muse is not suitable for recessed or enclosed fixtures or environments, and should be mounted upright and displayed as instructed.

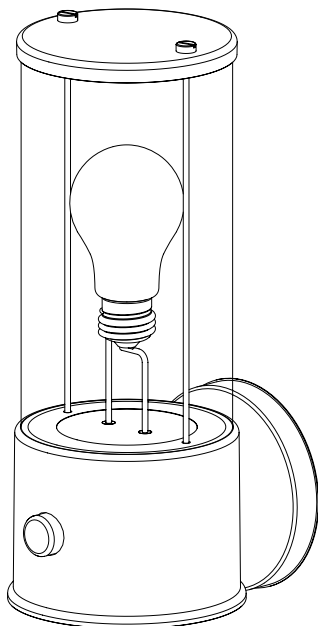
Ensure all fixings are tightly sealed and do not allow internal components and surfaces to be exposed to water.

Always switch off electricity supply at the mains during installation and maintenance. We recommend that the fuse is withdrawn or the circuit breaker is switched off whilst work is in progress. Do not just turn off at the wall switch. All fittings must be installed in accordance with current NFPA 70, National Electrical Code (NEC).

RECOMMENDED EQUIPMENT

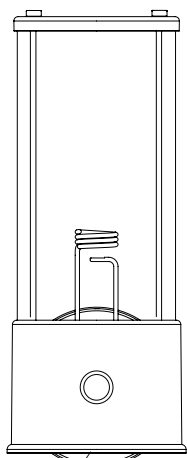
- Small flat head screwdriver
- Wire strippers
- Insulation tape

Further equipment may be required for fixing to your wall or ceiling

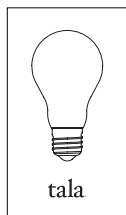


- SKU - FB-MUSE-WL-CW-01-US
- SKU - FB-MUSE-WL-HB-01-US
- SKU - FB-MUSE-WL-PG-01-US
- SKU - FB-MUSE-WL-PR-01-US

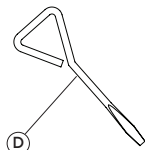
The Muse Wall Light - Provided Components



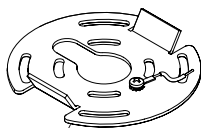
A



B

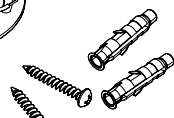


D

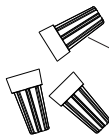


C

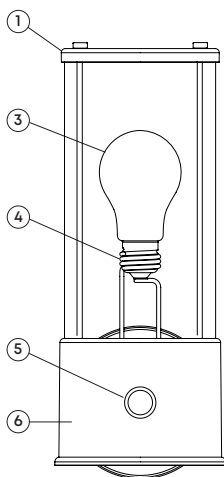
- (A) x1 The Muse Wall Light
- (B) x1 The Muse Wall Light LED bulb in box
- (C) x1 Wall bracket
- (D) x1 Flat-head screwdriver
- (E) x3 Connectors
- (F) Screws and rawl plugs
(Always use screws and plugs that are appropriate to the wall/ceiling)



F



E



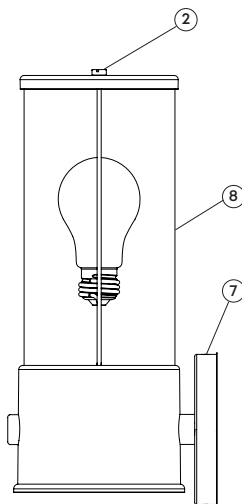
1

3

4

5

6

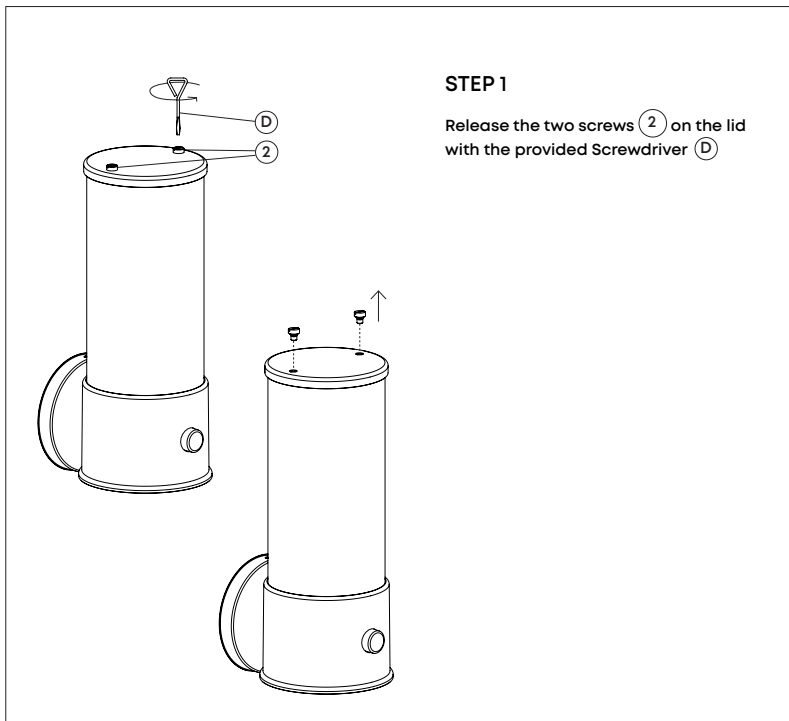


2

8

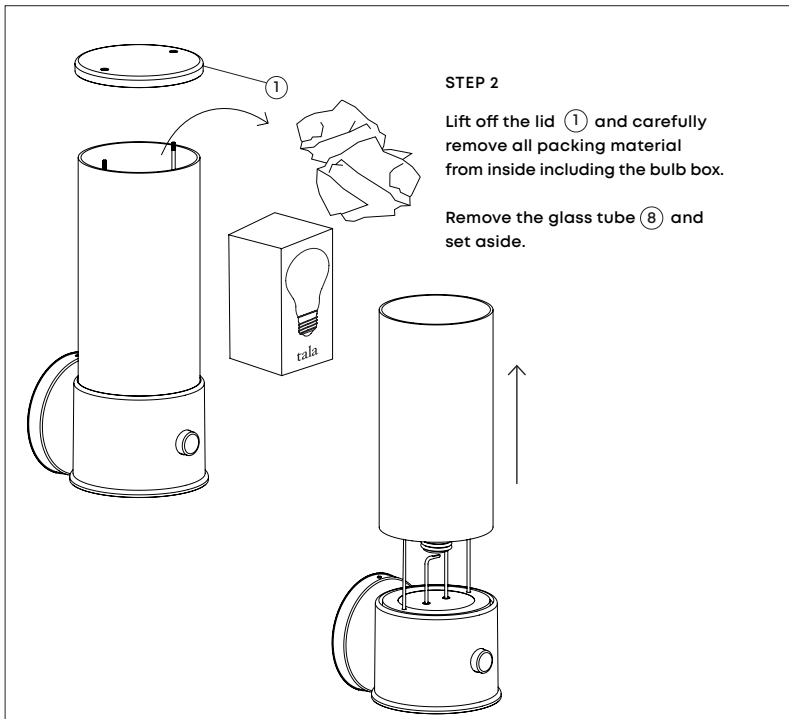
7

- (1) Lid
- (2) Lid Screws
- (3) Low-voltage LED bulb
- (4) Lampholder coil
- (5) Dimmer dial
- (6) Base
- (7) Backplate
- (8) Glass tube



STEP 1

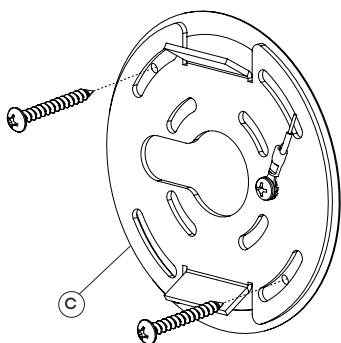
Release the two screws (2) on the lid with the provided Screwdriver (D)



STEP 2

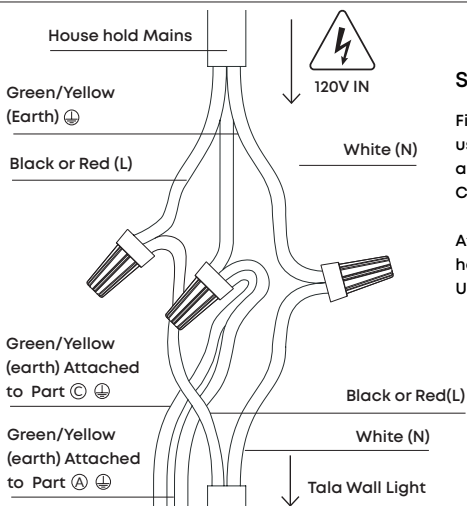
Lift off the lid (1) and carefully remove all packing material from inside including the bulb box.

Remove the glass tube (8) and set aside.



STEP 3

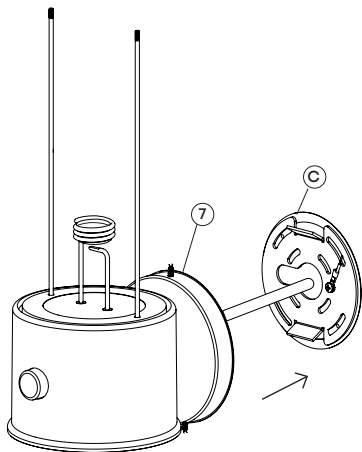
Attach (C) to the wall using screws and plugs. Ensure the central keyhole aligns with the wall cavity.



STEP 4

First identify your household wiring using current Building Regulations and NFPA 70, National Electrical Code (NEC).

Attach the wall light wiring to your household supply as shown. Use an appropriate junction box.

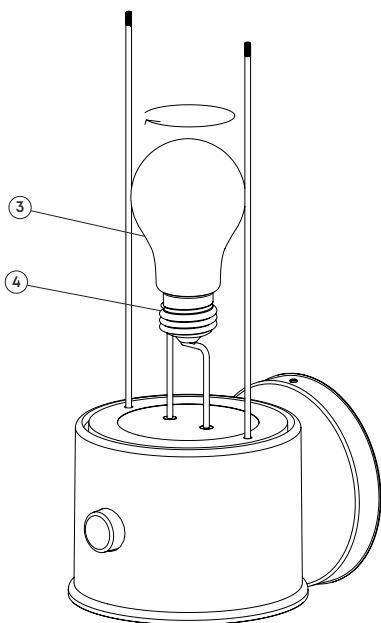


STEP 5

Align the backplate (7) onto the wall bracket (C) .

Tighten the screws on the top and bottom of the backplate (7) with a flat-head screwdriver to secure to the wall.

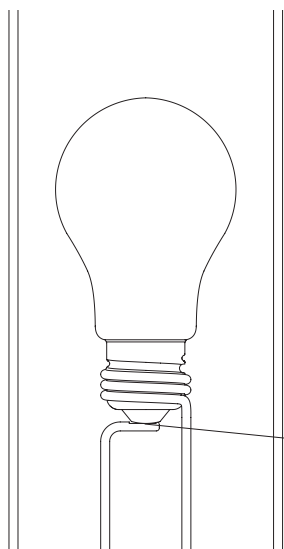
To reduce the chance of water ingress on all wall types, we recommend applying caulk between wall and fixture.



STEP 6

Remove the bulb ③ from the box and carefully screw into the lampholder coil ④ by turning the bulb clockwise.

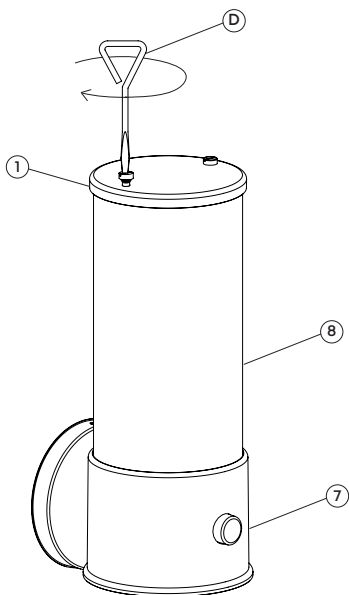
Be careful to align the bulb properly and do not over-tighten.



Ensure the bulb is screwed in fully and contact is made between the base of the bulb and the contact point without over-tightening.

IMPORTANT

Over-tightening or under-tightening of the bulb will cause misalignment. If this occurs, make small adjustments until straight and just touching the contact point.



STEP 7

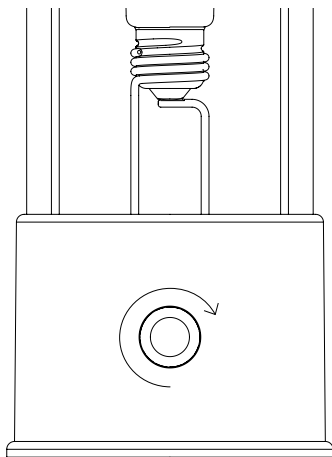
Return the glass tube (8) to the lamp base (7)

Place the lid (1) on top of the glass tube and tighten the screws with the screwdriver (D)

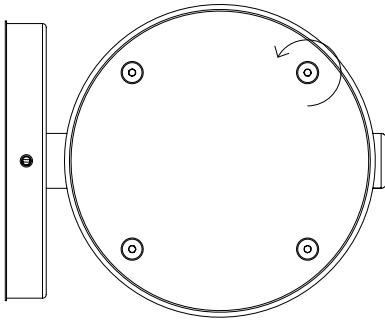
STEP 8

To turn on, rotate the dial on the front of the lamp clockwise until the bulb lights up.

Dial the dimmer up for a cool white light, and dial down for a warm, ambient colour temperature.



OPTIONAL - SET-UP FOR EXTERNAL DIMMER



WARNING

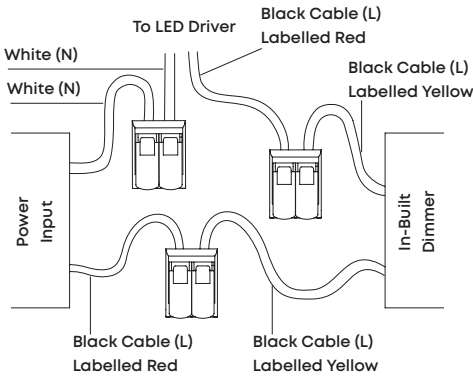
Switch off electricity supply at the mains prior to set up or remove lamp from mains.

STEP A

Unscrew the four screws on the underside of the base.

Remove the base plate to reveal the internal electronics.

STANDARD SET-UP

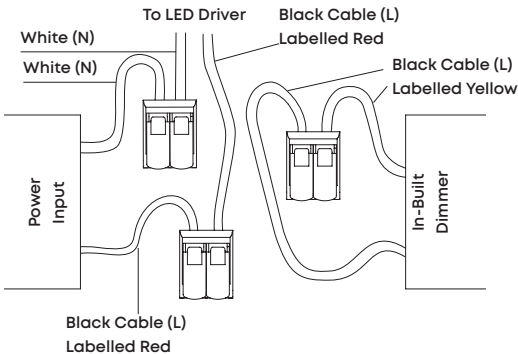


STEP B

To control the lamp by an external mains dimmer, you must bypass the internal dimmer.

Using the junction connectors, connect the two Yellow tagged wires into the same connector and the two Red tagged wires into the same connector.

EXTERNAL DIMMER SET-UP



CARE AND CLEANING

We recommend cleaning with a soft dry cloth. Do not use abrasive materials as these will damage the finish of the product. Do not use alcohol or other solvents.

Extended use in wet or humid locations can cause condensation to form inside the glass tube.

Please follow steps to open the lid and allow condensation to evaporate.

WARRANTY AND AFTER-CARE

This product has a two-year warranty. If there appears to be a functional defect with the product during this time, please contact our team at customerservice@tala.co.uk.

THE MUSE - WALL LIGHT

5.9 x 5 x 12.5in

IP44 | Suitable for Wet locations*

Ta max. 35°C

For use with The Muse Wall Light LED bulb only.

BULB

SELV (Safety Extra Low Voltage) | 6W | 400lm

35W replacement

CRI 97, R9 95 | 2000-2800K

Ø2.4 x 4.3in | Flicker <5%

*IP44 rated - providing protection against solid objects that are over 1mm and against water splashing from any angle.

NOTE: This equipment has been tested and found to comply with the limits for a Class B digital device, pursuant to part 15 of the FCC Rules. These limits are designed to provide reasonable protection against harmful interference in a residential installation. This equipment generates, uses and can radiate radio frequency energy and, if not installed and used in accordance with the instructions, may cause harmful interference to radio communications. However, there is no guarantee that interference will not occur in a particular installation. If this equipment does cause harmful interference to radio or television reception, which can be determined by turning the equipment off and on, the user is encouraged to try to correct the interference by one or more of the following measures: —Reorient or relocate the receiving antenna. —Increase the separation between the equipment and receiver. —Connect the equipment into an outlet on a circuit different from that to which the receiver is connected. —Consult the dealer or an experienced radio/TV technician for help.

Caution; changes or modifications not expressly approved by the party responsible for compliance could void the user's authority to operate the equipment.

Join the Community

Instagram: @tala | Facebook: talaHQ | Pinterest: TalaLED | Tag: lighttoliveby

hello@tala.co.uk | Instagram: @tala | Facebook: talaHQ | Pinterest: TalaLED | Tag: lighttoliveby

Tala North America Inc. 909 Rose Avenue, Suite 660, North Bethesda, MD 20852