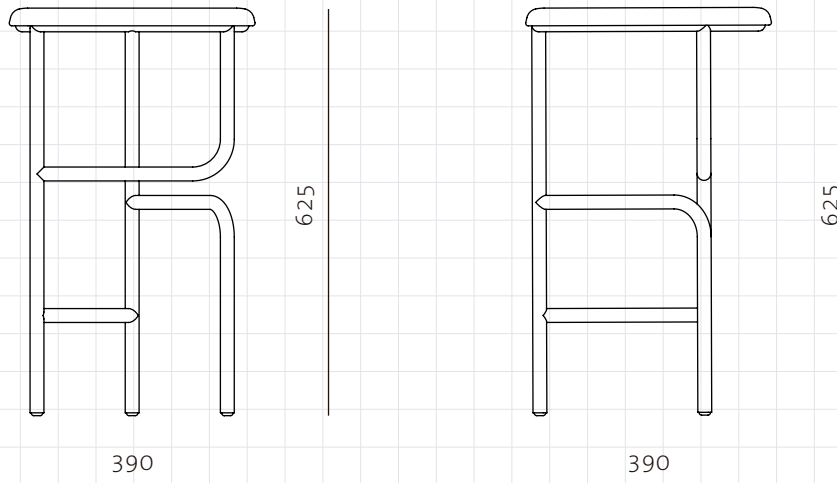


Blend Stool High



CODE
DIMENSIONS

BD-S610-H
 C390 x H625mm
 Seating height: 625mm

NET WEIGHT
ENVIRONMENT
MATERIALS

7.0 kg
 Indoor
 Powder coated steel frame, solid wood seat
 *Please refer to website or contact your local representative for complete material swatches.

SHIPPING

Package	Assembled		
Package Qty	1 pcs/box		
Packaging	Measurement (mm)	Volume (cbm)	Gross Weight (kg)
FCL	W455 x D455 x H710	0.15	10.39
LCL/AIR	W495 x D495 x H800	0.20	13.24