

# delta

## 4 Tier Home Gym Storage Rack

### Assembly instructions UH7000

#### Parts

**A** x4 — Uprights with Arms

**B** x12 — Screws

**C** x12 — Drywall Anchors

#### Tools Required

Hand Drill 10/32" (8mm)  
for drywall



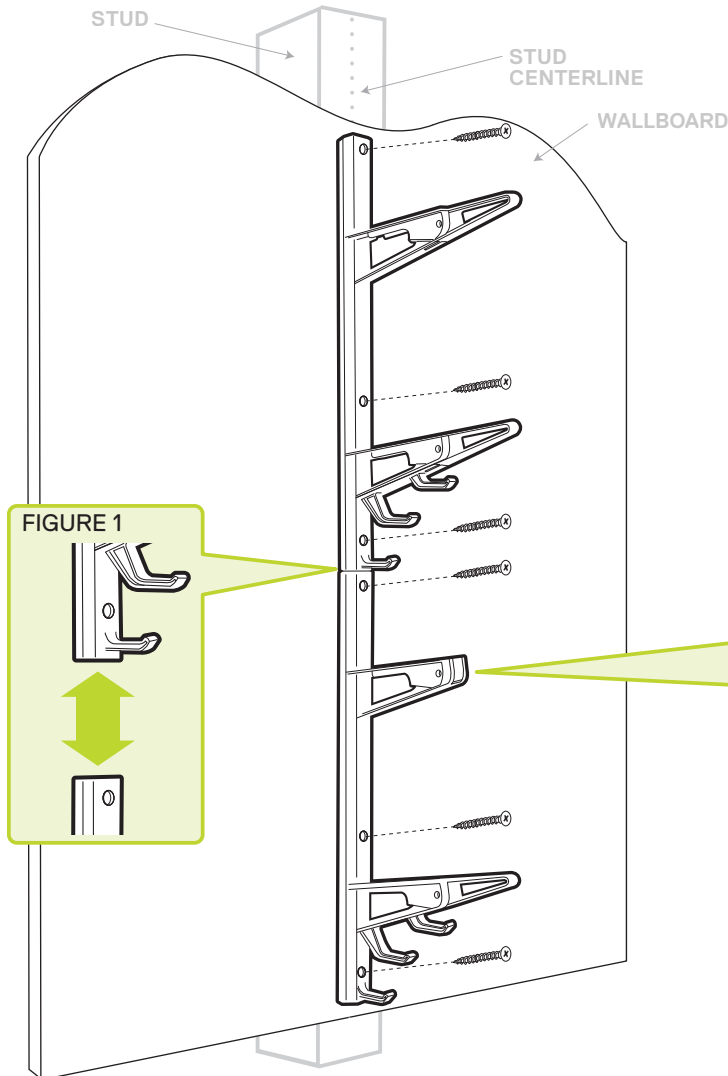
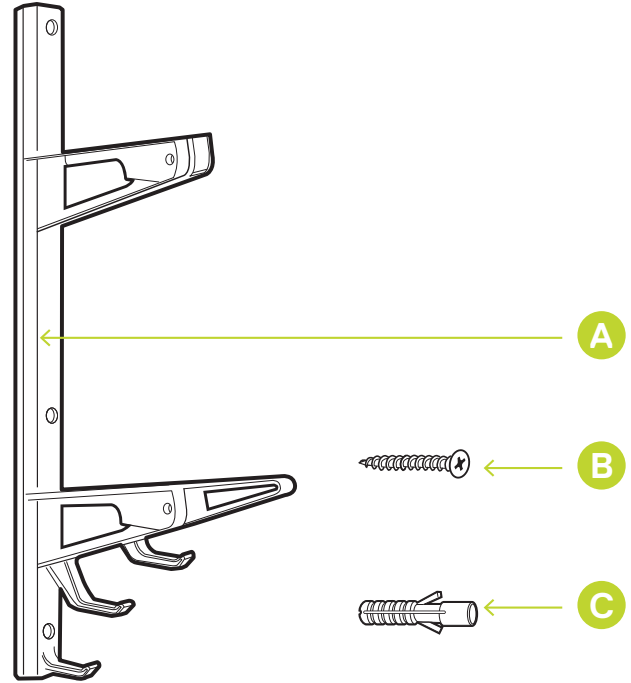
Spirit Level



Tape Measure



Way of locating studs within the wall (see hardware store for advice)

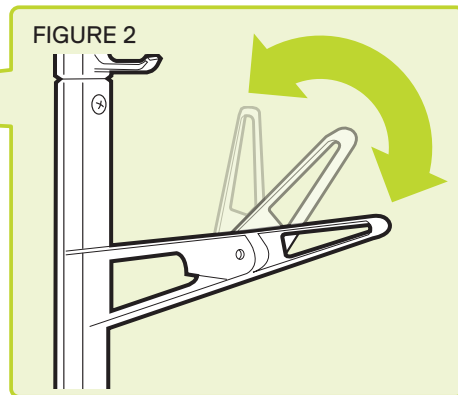


- 1 Place uprights against located stud on wall and mark location for holes. Be sure top and bottom uprights are vertically aligned (FIGURE 1). Ensure second set of uprights are horizontally aligned. Then secure the uprights to wall using screws provided.

**NOTE:** If a wall stud cannot be located use the included drywall anchors. Drywall anchors require 8mm pilot holes. Once holes are drilled gently tap drywall anchors into place, then secure uprights using screws provided.

**IMPORTANT SAFETY NOTE**  
Beware of drilling into electrical wire or pipes within wall!

- 2 Swing out arms as desired. (FIGURE 2) (Arms can be rotated to provide extra length for additional storage capacity)



122221



#### WARNING

Do not allow children to play or hang from Rack.  
Maximum weight on properly installed rack 60 lbs (27.2 kg)  
total 15 lbs (6.8 kg) per tier

**Service:** Please do not return to store;  
for immediate response email  
[service@designbydelta.com](mailto:service@designbydelta.com)

