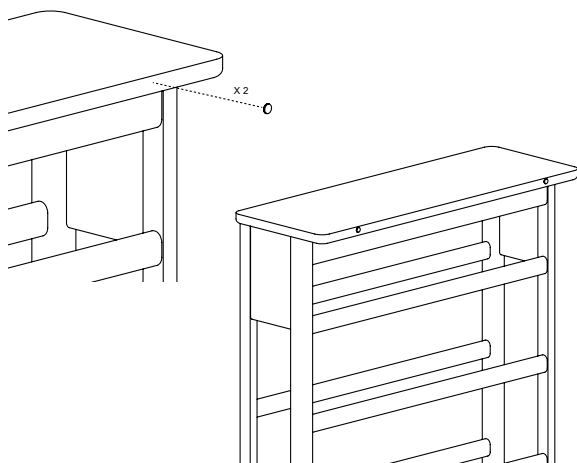


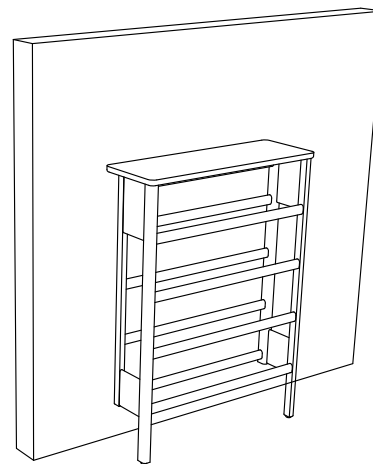
## A LINE SHOE RACK

Assembly guide



### STEP 1

Apply the 2 self-adhesive rubber bumpers to the top board.

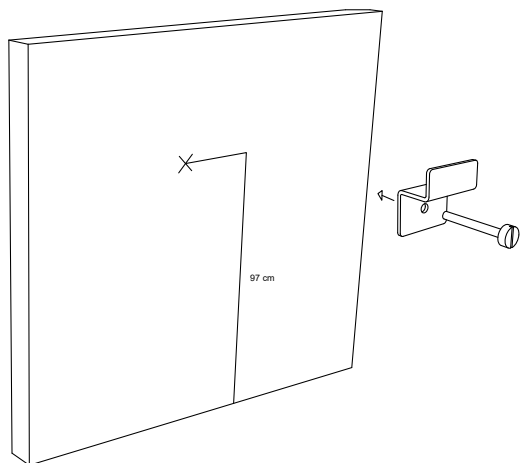


### STEP 2

Note: The shoe rack can be used without mounting the metal bracket. However we recommend fixing the shoe rack on the wall with the bracket, especially if kids and pets live in the home.

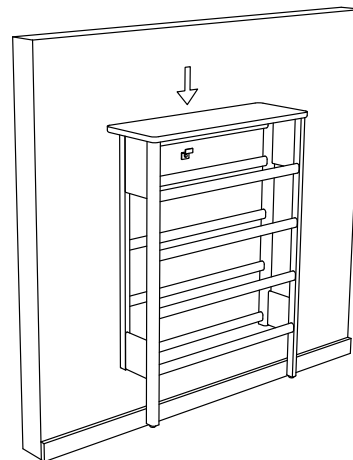
## A LINE SHOE RACK

Assembly guide



### STEP 3

Measure 97 cm from the floor and make a mark. Drill a hole and use a rawplug if necessary, depending on what type of wall it is. Mount the bracket on the wall.



### STEP 4

Place the shoe rack against the wall and attach it to the metal bracket.