



Smartwash

Professional

Warewasher

SW900V

Professional Pass-through Warewasher



Smartwash

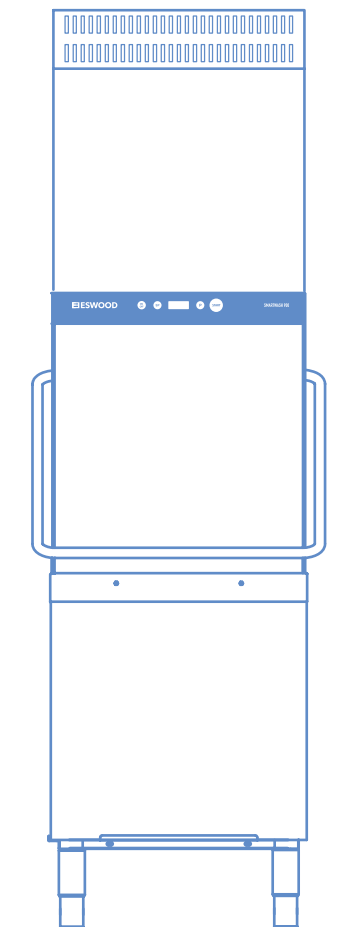
Pass-through Warewasher

The New Smartwash Range of Pass-through warewashers are the first attractive, intelligent, one touch warewashing system in Australia that offers incredibly sustainable results in water and energy consumption.

This professional warewasher offers the first one touch control panel with digital wash and rinse temperature displays for easy HACCP recording for accurate food safety reporting.

These machines are sleek and compact because we know space is of the essence and presentation is key.

Independently certified for ventless/hoodless installation (SEED).
The heat recovery system recycles energy by the steam generated in the dishwasher, saving energy in every cycle.

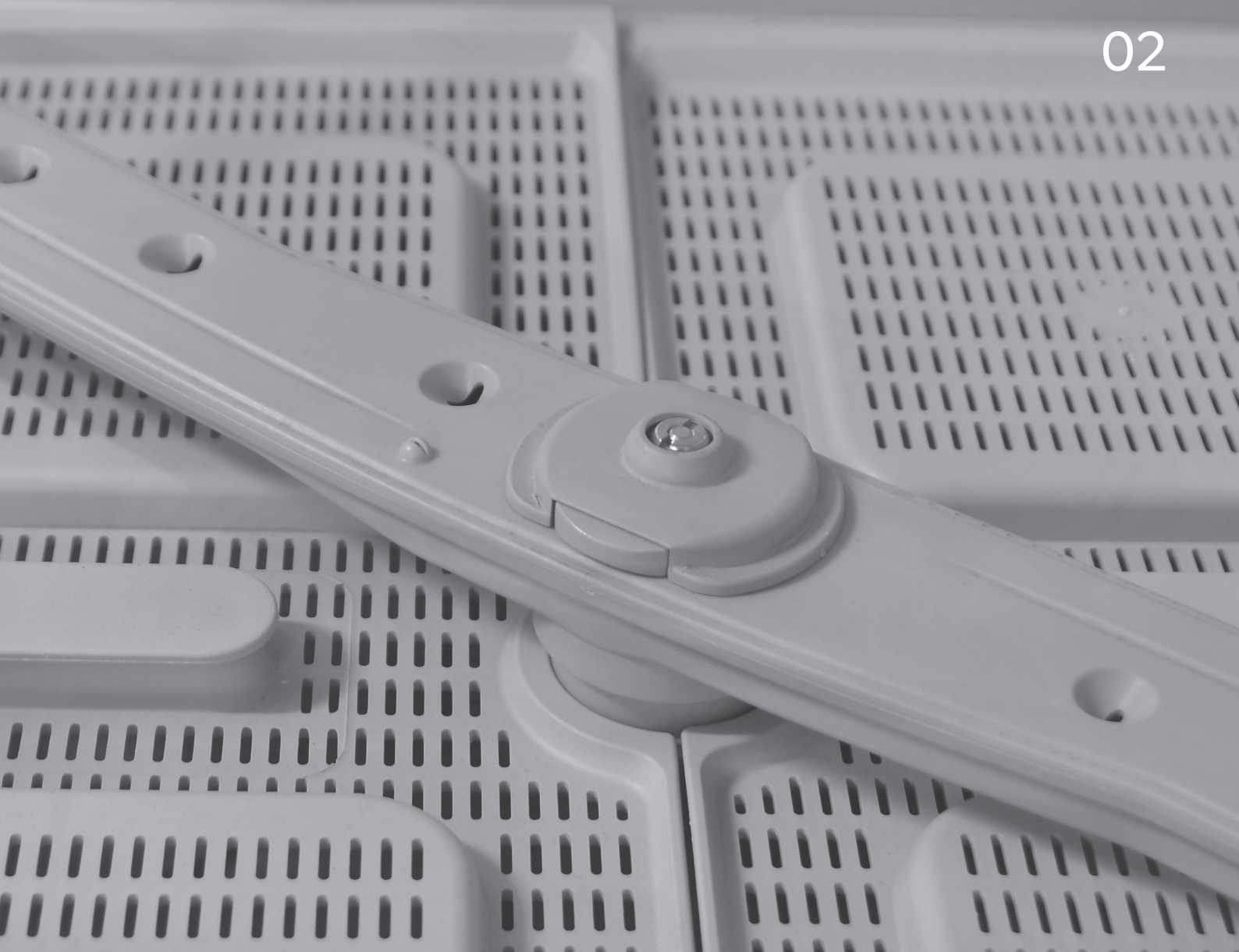


eswood.com.au

211-217 Woodpark Road SMITHFIELD NSW 2164

T: 1800 013 123

E: sales@middleby.com.au



Water saving - uses only 2.3 litres per cycle

User friendly ONE TOUCH control panel with digital wash and rinse temperature displays for easy HACCP recording

Three wash cycles of 60, 90 & 120 seconds

Built-in detergent and rinse aid pump fitted as standard

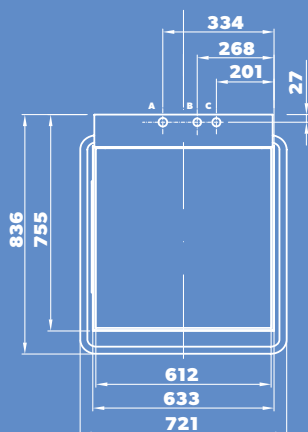
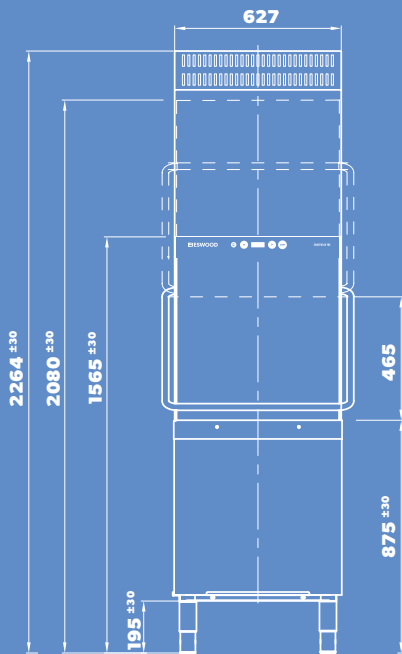
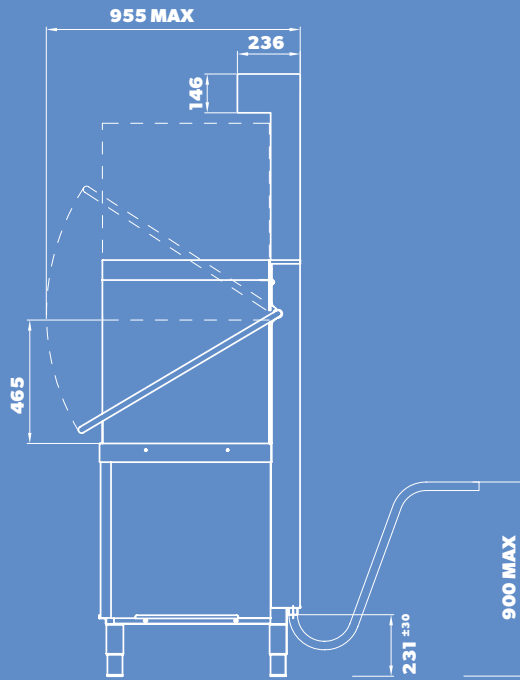
Huge 465 mm opening for large items e.g. Pots

Insulated eco hood for energy saving and noise reduction saves up to 0.5 kW per hour

Independently certified for ventless/hoodless installation (SEED)

Self cleaning cycle

- A. Drain Connection 20mm ID Hose
- B. Water Connection 3/4" x 1.5 Braided Hose
- C. Electrical Connection 3 phase (415V/50Hz/3ph+N+E)



SW900V

Profesional Pass-through Warewasher

SW900V Specifications

DIMENSIONS (WxDxH)	633 x 755 x 2264 mm
HOOD CONSTRUCTION	Double-skinned
HOOD OPENING	465 mm
HOOD LIFT SYSTEM	ProGlide (3 kg)
HOOD LIFT HANDLE	All-around
WASH CHAMBER	TotalClean – Pipe Free
RACK STAND CONSTRUCTION	S/S wire hinged
TANK VOLUME	22 litres
TANK CONSTRUCTION	Deep drawn
TANK HEATING ELEMENT	2,5 kW
WASH PUMP TYPE	Double flow
WASH PUMP POWER	700 W
RINSE SYSTEM	SmartRinse
RINSE BOOSTER PUMP	Fitted
SELF DIAGNOSTIC SYSTEM	Fitted
BOILER HEATING ELEMENT	9.5 kW
FRESH WATER CONSUMPTION	2,3 lt/rack
DRAIN SYSTEM	SmartDrain (partial drain)
DRAIN PUMP	Fitted
DOSING SYSTEM	ProDose electr. Controlled
DETERGENT & RINSE AID PUMP	Fitted
TOTAL ELECTRIC LOAD AT 415V (3PH+N+E)	10,2 kW
WASH CYCLES	60, 90, 120 sec
SPECIAL CYCLES	3
SELF CLEANING CYCLE	YES
WATERMARK APPROVAL	WMKT25317
HACCP APPROVAL	PE-388-GE-09

Dimensions may change without notice in accordance with product development and design

Proudly Distributed By

eswood.com.au

211-217 Woodpark Road SMITHFIELD NSW 2164

T: 1800 013 123

E: sales@middleby.com.au