

**This bulletin contains instructions on how to replace the ION AFD slider.**

### Parts Required

- AFD Repair Kit (2 x AFD Springs, 2 x AFD Sliders).  
Model / SKU # 2663 / 5835
- Binding Grease.  
Model / SKU # 1432 / 3156

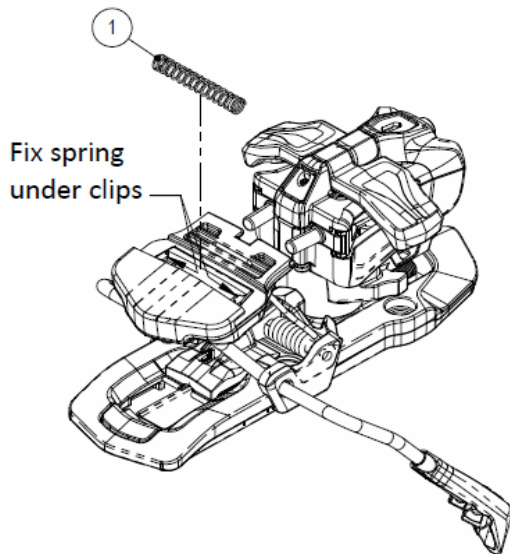
### Tools Required

- None

### Replacement Procedure

**Note: This work should only be completed by an authorized G3 Dealer who has the proper tools, equipment and training to safely maintain your binding**

1. Ensure ION binding is in Ski mode.
2. Lubricate the spring and the track using only G3 binding grease. Other greases can cause damage to plastic parts.
3. Fix new AFD Spring (1) under end clips. Fig.1.



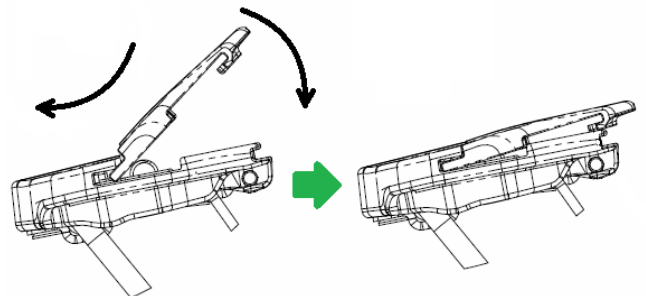
**Figure 1 – Attaching the spring**

4. Align new AFD slider with brake platform, with the tab under the lip as shown. Use thumb and index finger to help. Fig.2.



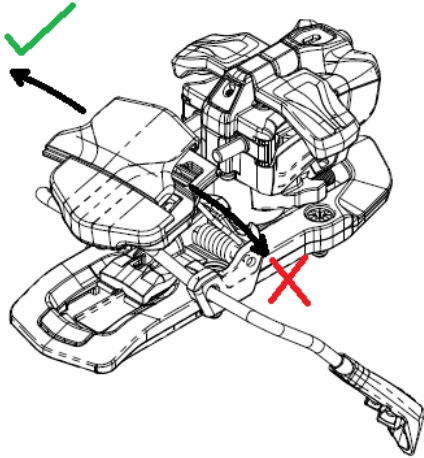
**Figure 2 – Lining up the plate**

5. Push down and toward the tip of the ski, until the AFD slider snaps into place at the front. Do not force. Wiggle the AFD plate a little if it's proving difficult to engage. Fig.3. illustrates the above.



**Figure 3 – Hooking in the front of the AFD slider**

6. Slide the AFD in the direction and position shown in Fig. 4. and then press down hard with the palm of your hand Fig. 5. until you hear a click and it's locked in place. This will not work if the AFD plate is slid in the wrong direction! Keep the tip of the ski to your left.



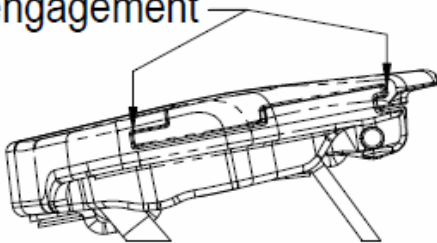
**Figure 4 –Slide Plate away from you**



**Figure 5 – Press down with palm**

7. Check that the AFD plate is engaged at the front and back. Fig 6.

Check front and back engagement



**Figure 6 – Check engagement**

8. Check function by sliding the plate side to side.

For video instruction visit;

<http://www.genuineguidegear.com/life/video/how-ion-binding-afd-spring-replacement>

For optimal performance and lifespan use grease supplied by G3.



#### **Additional Information**

Contact [service@genuineguidegear.com](mailto:service@genuineguidegear.com) or call customer service at 1.866.924.9048.

For the latest information and updates, refer to [www.genuineguidegear.com](http://www.genuineguidegear.com).