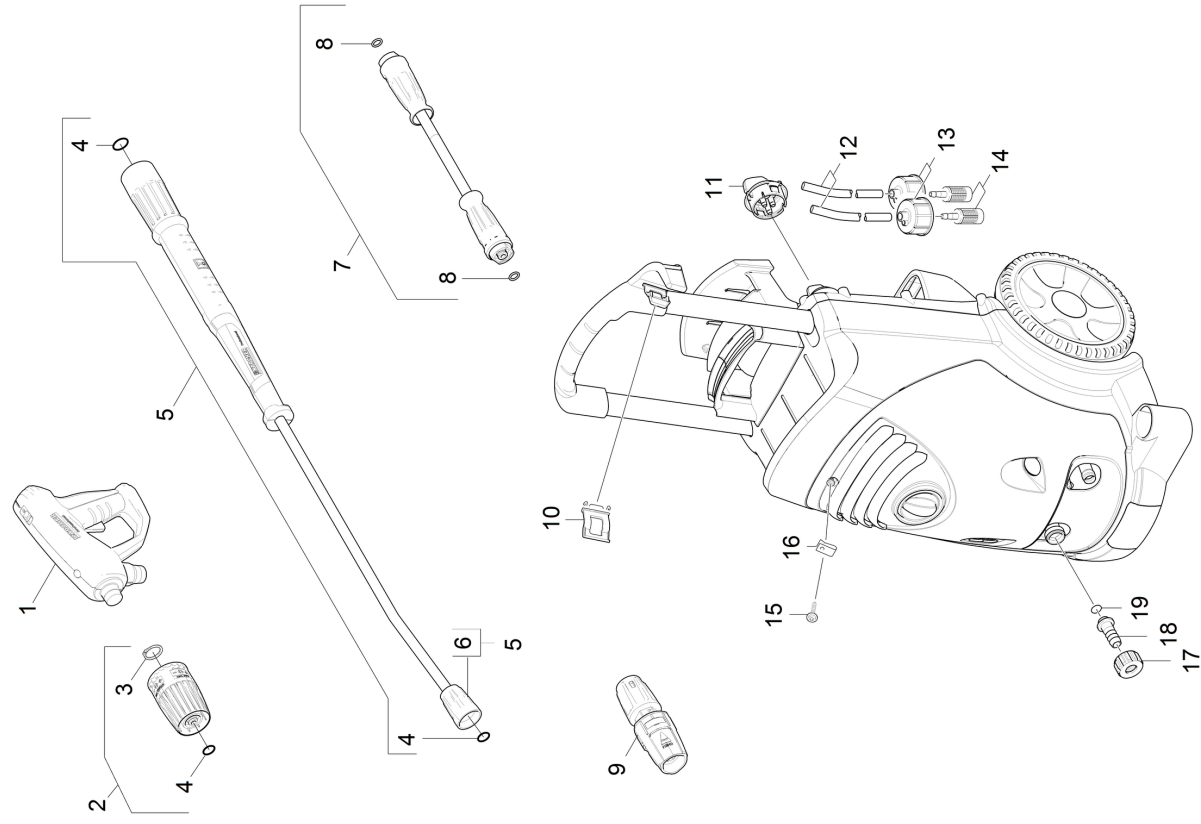


1030 Short spare parts list (1.524-924.3)

Professional \ High pressure cleaner cold water \ Electric motor \ HD 9/20-4 M *EU-1 \ Short spare parts list



1030 Short spare parts list (1.524-924.3)

Professional \ High pressure cleaner cold water \ Electric motor \ HD 9/20-4 M *EU-1 \ Short spare parts list



| POS | Article no. | Description | Quantity | Unit | Foot note text |
|-----|-------------|--|----------|------|-----------------------|
| 1 | 4.118-005.0 | EASY!Force Advanced | 1.000 | ST | |
| 2 | 4.118-008.0 | Rotary controller TR 416L | 1.000 | ST | |
| 3 | 7.343-069.0 | Locking ring 25x1,2-1.4122 DIN 471 | 1.000 | ST | |
| 4 | 2.880-001.0 | Spare part set seals TR | 3.000 | ST | |
| 5 | 4.112-000.0 | Jet pipe TR 1050 mm | 1.000 | ST | |
| 6 | 4.112-011.0 | Protection part TR only for replacement | 1.000 | ST | |
| 7 | 6.110-031.0 | Hose assembly TR rotatable DN8 31,5MPa 1 | 1.000 | ST | |
| 8 | 2.880-154.0 | O-Ring kit | 1.000 | ST | |
| 9 | 4.117-037.0 | Triple jet nozzle TR 050 | 1.000 | ST | |
| 10 | 5.044-216.0 | Holder | 1.000 | ST | |
| 11 | 4.580-645.0 | Proportioning valve chemistry | 1.000 | ST | |
| 12 | 6.388-216.0 | Hose DN 5 | 1.000 | M | TO ORDER AS CUT GOODS |
| 13 | 4.060-866.0 | Cover cleaning agents complete | 2.000 | ST | |
| 14 | 5.731-652.0 | Filter with weight | 2.000 | ST | |
| 15 | 6.304-099.0 | Saucer-head screw M 6x 18-4.8-R2R | 1.000 | ST | |
| 16 | 6.310-053.0 | Putting nut | 1.000 | ST | |
| 17 | 5.310-076.0 | Nut | 1.000 | ST | |
| 18 | 5.443-291.0 | Hose stem | 1.000 | ST | |
| 19 | 6.362-161.0 | O-Ring seal 19,3 X 2,4 | 1.000 | ST | |