

# KÄRCHER

makes a difference

## K 4 Full Control

### Operating Instructions

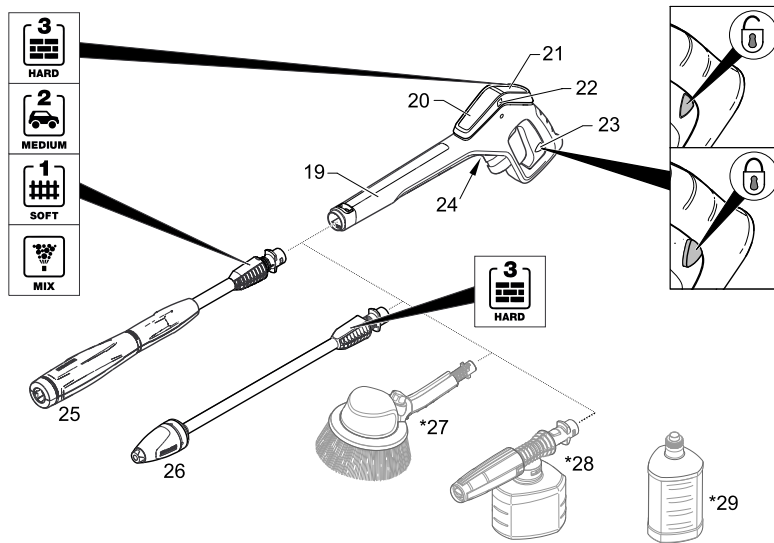
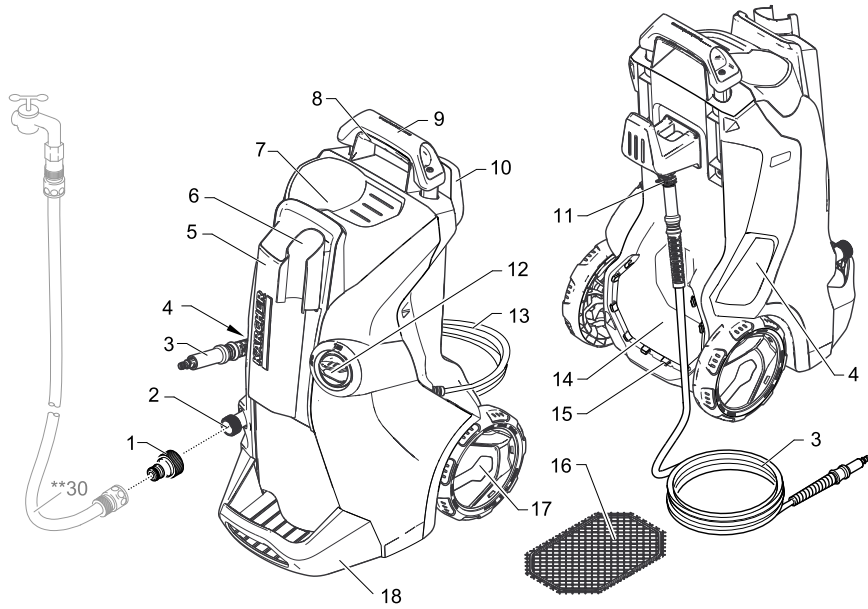
Please read the operating instructions carefully before using the unit.

English

العربية

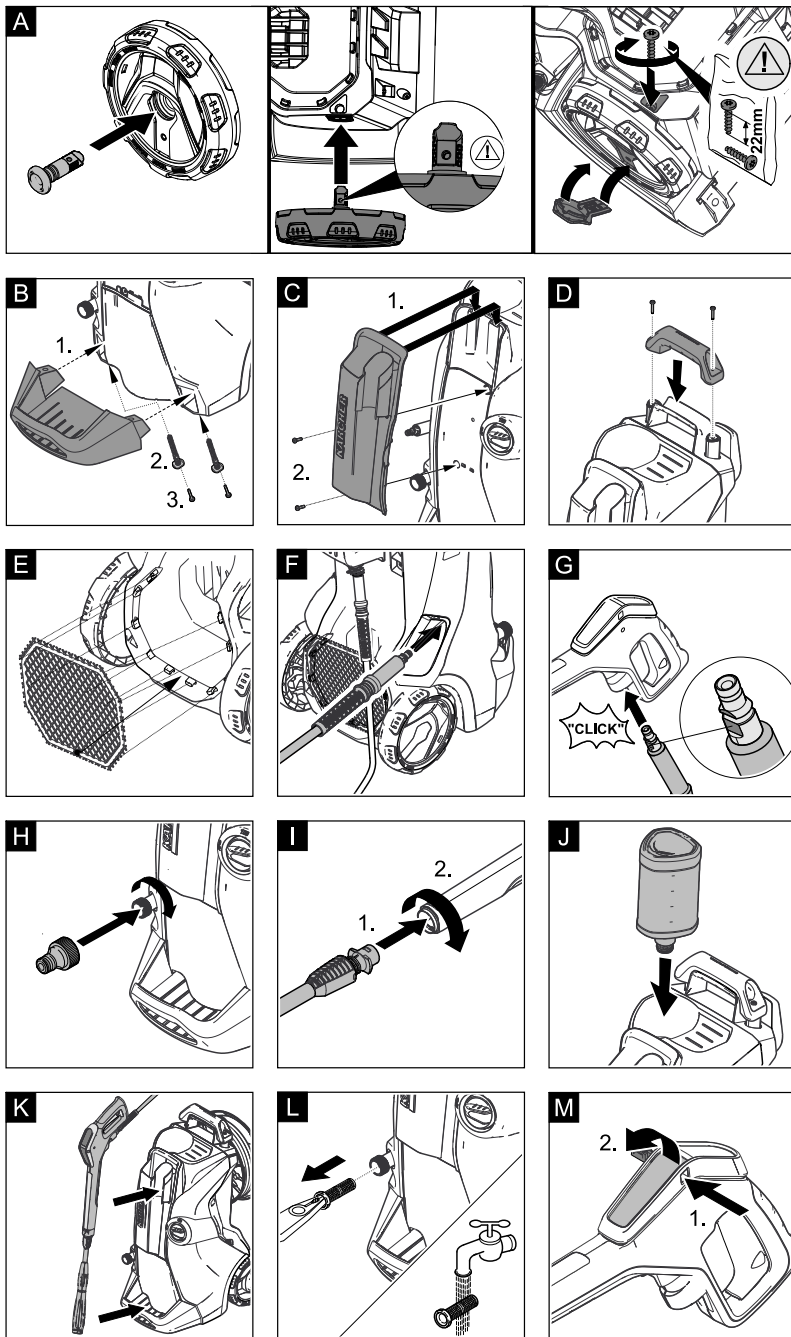


59678190 (06/17)



\* Please refer to packaging to see whether this feature or accessory is included.


\* يوجد على العلبة صورة لمشمولات الجهاز (تتبعاً للطراز). يصف دليل التشغيل هذا جميع الخيارات الممكنة.



## Contents

Safety instructions . . . . . 4  
Description of the Appliance. . . . . 9  
Proper use . . . . . 9  
Environmental protection . . . . . 9  
Assembly . . . . . 10  
Start up. . . . . 10  
Operation . . . . . 11  
Transport . . . . . 12  
Storage. . . . . 12  
Care and maintenance. . . . . 12  
Troubleshooting . . . . . 13  
Accessories and Spare Parts. . . . . 13  
Warranty. . . . . 13  
Technical specifications . . . . . 14  
Helpline . . . . . 13  
EU Declaration of Conformity. . . . . 14

## Safety instructions

 *Please read and comply with these original instructions prior to the initial operation of your appliance and store them for later use or subsequent owners.*  
*Apart from the notes contained herein the general safety provisions and rules for the prevention of accidents of the legislator must be observed.*  
*Warnings and notes that are attached on the appliance provide important notes for the safe operation.*

### Hazard levels

- ⚠ DANGER**  
*Pointer to immediate danger, which leads to severe injuries or death.*
- ⚠ WARNING**  
*Pointer to a possibly dangerous situation, which can lead to severe injuries or death.*
- ⚠ CAUTION**  
*Pointer to a possibly dangerous situation, which can lead to minor injuries.*
- ATTENTION**  
*Pointer to a possibly dangerous situation, which can lead to property damage.*

## Electric components

### **⚠ DANGER**

*Risk of electric shock.*

- *Never touch the mains plug and the socket with wet hands.*
- *Check the power cord with mains plug for damage prior to every use. Immediately have damaged power cord replaced by an authorised customer service / electrician. Do not operate an appliance if the power cord is damaged.*
- *All current-conducting parts in the working area must be protected against jet water.*
- *The mains plug and the coupling of an extension cable must be watertight and must never lie in water. Moreover, the coupling may never lie on the ground. The use of cable reels that ensure that the sockets are at least 60 mm above the ground is recommended.*
- *Make sure that the power cord or extension cable is not damaged by running over, pinching, dragging or the like. Protect the power cords from heat, oil, and sharp edges.*
- *Turn off the appliance and remove the mains plug prior to any care and maintenance works.*
- *Repair work and work on the electrical components may only be performed by an authorised customer service.*

### **⚠ WARNING**

- *The appliance may only be connected to an electric supply that has been installed by an electrician in accordance with IEC 60364.*
- *The appliance may only be connected to alternating current. The voltage must correspond with the type plate of the appliance.*
- *Safety class I - Appliances may only be connected to sockets with proper earthing.*
- *For safety reasons, we recommend that you operate the appliance only via a residual current device (max. 30 mA).*
- *An unsuitable electrical extension cable can be hazardous. Only use an electrical extension cable which has been approved and labelled for this purpose and has an adequate cable cross-section outdoors: 1 - 10 m: 1.5 mm<sup>2</sup>; 10 - 30 m: 2.5 mm<sup>2</sup>*
- *Always fully unreel the extension cable from the cable drum.*

## Safe handling

### **⚠ DANGER**

- *The user must use the appliance as intended. The person must consider the local conditions and must pay attention to other persons in the vicinity when working with the appliance.*

- *Check important components, such as high-pressure hose, hand spray gun and safety installations, for damage prior to every operation. Immediately replace damaged components. Do not operate appliance with damaged components.*
- *High-pressure jets can be dangerous if improperly used. The jet may not be directed at persons, animals, live electrical equipment or at the appliance itself.*
- *The high-pressure jet must not be directed at other persons or the user him-/herself to clean clothing or footwear.*
- *Vehicle tyres/tyre valves are susceptible to damage from the high-pressure jet and may burst. The first indication for this is a discolouration of the tyre. Damaged vehicle tyres/tyre valves are perilous. Keep a minimum jet distance of 30 cm during cleaning!*

**△ WARNING**

- *Do not use the appliance when there are other persons around unless they are also wearing protective clothing.*
- *The appliance must not be operated by children or persons who have not been instructed accordingly.*
- *This appliance is not intended for use by persons with limited physical, sensory or mental capacities or lacking expe-*

*rience and/or skills, unless such persons are accompanied and supervised by a person in charge of their safety or they have received precise instructions on the use of this appliance and have understood the resulting risks.*

- *Children must not play with this appliance.*
- *Supervise children to prevent them from playing with the appliance.*

**△ CAUTION**

- *Create stability for the appliance prior to any work on or with the appliance to prevent accidents or damage.*
- *The water jet that is emitted from the high-pressure nozzle results in a repulsion power acting on the hand spray gun. Make sure that you have a firm footing and are also holding the hand spray gun and spray lance firmly.*
- *Never leave the appliance unattended as long as it is in operation.*

**ATTENTION**

- *In case of extended breaks, switch the appliance off at the main switch / appliance switch or pull the mains plug.*
- *Do not operate the appliance at temperatures below 0 °C.*

## Other risks

### **⚠ DANGER**

- *The appliance may not be operated in explosive atmospheres.*
- *Never use the appliance to clean objects containing hazardous substances (e.g. asbestos).*
- *Do not spray flammable liquids.*
- *Never draw in fluids containing solvents or undiluted acids and solvents! This includes petrol, paint thinner and heating oil. The spray mist is highly inflammable, explosive and poisonous. Do not use acetone, undiluted acids and solvents, as they corrode the materials used on the appliance.*
- *Keep packaging films away from children, there is a risk of suffocation!*

### **⚠ WARNING**

- *According to applicable regulations, the appliance must never be used on the drinking water net without a system separator. Ensure that the connection of your building water installation on which the high-pressure cleaner is operated is equipped with a system separator pursuant to EN 12729 Type BA.*
- *Water that has flown through a system separator is no longer classified as drinking water.*

- *High-pressure hoses, fixtures and couplings are important for the safety of the appliance. Only use high-pressure hoses, fixtures and couplings recommended by the manufacturer.*
- *When disconnecting the supply or high pressure hose, hot water may leak from the connections after operation.*

### **⚠ CAUTION**

- *Mind the weight of the appliance when selecting the storage location and during transport (see technical data) to prevent accidents or injuries.*
- *Several hours of continuous use of the appliance can lead to numbness in the hands in rare cases.*
- ➔ *Wear gloves.*
- ➔ *Keep hands warm.*
- ➔ *Take breaks at regular intervals.*

## Working with detergent

### **⚠ WARNING**

- *This appliance was designed to be used with detergents which are supplied or recommended by the manufacturer. The use of other detergents or chemicals may compromise the safety of the appliance.*
- *The improper use of detergents can cause severe injuries or toxication.*
- *Store detergents away from the reach of children.*

## Safety Devices

### CAUTION

- Safety installations serve the protection of the user and may not be modified or bypassed.

### Power switch

The appliance switch prevents unintentional operation of the appliance.

### Lock trigger gun

This lock locks the lever of the trigger gun and prevents the inadvertent start of the appliance.

### Overflow valve with pressure switch

If the lever on the trigger gun is released the pressure switch turns off the pump, the high pressure jet is stopped. If the lever is pulled the pump is turned on again.

### Motor protection switch

The motor protection switch switches off the device if the power consumption is high.

## Symbols on the machine



The high pressure jet must not be directed at persons, animals, live electrical equipment or at the appliance itself. Protect the appliance against frost.



The appliance must not be directly connected to the public drinking water network.

## Personal protective equipment

### CAUTION

- Wear protective clothing and safety goggles to protect against splash back containing water or dirt.
- During the use of high-pressure cleaners aerosols can develop. Inhaling aerosols can cause health damage.
  - Depending on the application, completely shielded nozzles (e.g. surface cleaner) that significantly reduce the emission of aqueous aerosols can be used for high-pressure cleaning.
  - The use of such shielding is not possible with all applications.
  - If the use of a completely shielded nozzle is not possible, a respirator of the category FFP 2 or the like should be used, depending on the environment to be cleaned.



## Description of the Appliance

The scope of delivery of the device (depending on the model) is illustrated on the packaging. These operating instructions describe all possible options.

### Illustrations on Page 2

- 1 Coupling element for water connection
  - 2 Water connection with integrated sieve
  - 3 High pressure hose
  - 4 Hose guide
  - 5 Storage for spray lances
  - 6 Storage / parking position for trigger gun
  - 7 Connection for Plug 'n' Clean detergent
  - 8 Carrying handle
  - 9 Transport handle, detachable
  - 10 Hose holder
  - 11 High pressure connection
  - 12 Appliance switch „0/OFF“ / „I/ON“
  - 13 Mains cable with mains plug
  - 14 Accessory compartment
  - 15 Hooks for fastening the net
  - 16 Net for accessory compartment
  - 17 Bearing wheel
  - 18 Base with carrying handle
  - 19 Full Control trigger gun
  - 20 Battery compartment
  - 21 LED pressure indicator  
MIX / 1 - SOFT / 2 - MEDIUM / 3 - HARD
  - 22 Battery compartment lock
  - 23 Lock trigger gun
  - 24 Button for detaching the high-pressure hose from the trigger gun
  - 25 Full Control spray lance Vario Power  
Carrying out the most common cleaning tasks  
Pressure levels: HARD / MEDIUM / SOFT / MIX
  - 26 Full Control spray lance Dirtblaster  
For strong contaminations  
Pressure level: HARD
- \* Optional**
- 27 Rotary washing brush  
Especially suitable for cleaning cars.
  - 28 Foam nozzle with detergent container  
With powerful foam for effortless cleaning.
  - 29 Plug 'n' Clean detergent bottle with locking lid
- \*\* Additionally required**
- 30 Fabric-reinforced water hose with commercially available coupling.
    - Minimum diameter, 1/2 inches (13 mm).
    - Minimum length 7.5 m.

## Proper use

Use this pressure washer for private households only:

- for cleaning machines, vehicles, buildings, tools, facades, terraces, gardening tools, etc. by means of a high-pressure water jet (if necessary, with additional cleaning agents).
- with accessories, replacement parts and cleaning agents approved by KÄRCHER. Please observe the information accompanying the cleaning agents.

## Environmental protection

### Notes about the ingredients (REACH)

You will find current information about the ingredients at:

[www.kaercher.com/REACH](http://www.kaercher.com/REACH)



The packaging material can be recycled. Please arrange for the environmentally appropriate disposal of the packaging.



Old appliances contain valuable recyclable materials that should be recycled properly. Batteries and accumulators contain substances that must not enter the environment. Please dispose of old devices and batteries or accumulators in an environmentally friendly way.

Electrical and electronic devices often contain components which could potentially pose a danger to human health and the environment if handled or disposed of incorrectly. However, these components are necessary for the proper operation of the device. Devices marked with this symbol must not be disposed of with regular household rubbish.



Cleaning operations which produce oily waste water, e.g. engine washes, underbody washes, may only be carried out using washing stations equipped with an oil separator.



Work with detergents must only be performed on liquid-tight work surfaces with a connection to the sewer system. Do not let release detergent into waters or earth.



The extraction of water from public waters is prohibited in some countries.

## Assembly

### Illustrations on Page 3

Mount loose parts delivered with appliance prior to start-up.

You will need the 2 included screws as well as a Philips screwdriver PH 2.

### Installing the base

Illustration **A**

→ Secure the wheels using the included plug. Align the plug properly!

Illustration **B**

→ Insert base.

→ Insert the included dowels all the way into the holes.

→ Secure the base with the enclosed screws.

### Install storage for spray lances

Illustration **C**

→ Hook in storage for spray lances.

→ Secure the storage for the spray lances by means of two screws.

### Install the transport handle

Illustration **D**

→ Attach the transport handle.

→ Secure the transport handle by means of two screws.

### Attach the net to the accessory compartment

Illustration **E**

→ Hook the net into the hooks shown in the illustration.

### Winding off the high pressure hose

→ Completely wind off the high-pressure hose and disentangle any loops and knots.

### Putting the high pressure hose through the hose guide.

Illustration **F**

→ Put the disentangled high-pressure hose through the hose guide from the back.

### Connect the high pressure hose to the trigger gun

Illustration **G**

→ Push the high pressure hose into the trigger gun until it locks audibly.

**Note:** Make sure the connection nipple is aligned correctly.

→ Check the secure connection by pulling on the high pressure hose.

## Start up

→ Park the appliance on an even surface.

→ Insert the mains plug into the socket.

### Water supply

For connection values, see type plate/technical data.

#### **ATTENTION**

*Impurities in the water can damage the high-pressure pump and the accessories. For protection, the use of the KÄRCHER water filter (optional accessory, order no. 4.730-059) is recommended.*

#### **Water supply from mains**

Observe regulations of water supplier.

#### **ATTENTION**

*Hose couplings made of metal with aquastop can damage the pump! Please use plastic couplings or KÄRCHER brass couplings.*

Illustration **H**

→ Screw the coupling element to the water connection on the appliance.

→ Attach the water supply hose to the coupling on the water connection.

→ Connect the water supply hose to the water supply.

→ Completely open the water tap.

#### **Drawing in water from open reservoirs**

This high-pressure cleaner is suited to work with the KÄRCHER suction hose with backflow valve (Optional accessory, order no. 2.643-100) to draw in surface water, e.g. from water butts or ponds (see specifications for max. suction height).

**Note:** With vacuuming operation, the coupling for the water connection is not required.

→ Fill the suction hose with water.

→ Screw the suction hose into the water connection of the appliance and insert it into the water source (e.g. rainwater drum).

#### **Bleed the device as follows prior to operation:**

→ Turn on the appliance "I/ON".

→ Unlock the lever of the trigger gun.

→ Push the lever of the trigger gun, the device will switch on.

→ Let the device run (max. 2 minutes) until the water exits the trigger gun without bubbles.

→ Release the lever of the trigger gun.

→ Lock the lever of the trigger gun.

## Operation

### ATTENTION

Dry running of more than 2 minutes leads to damage of the high-pressure pump. If the appliance does not build up pressure within 2 minutes, switch the appliance off and proceed in accordance with the instructions in Chapter "Troubleshooting".


### High pressure operation

#### ⚠ CAUTION

Keep a distance of at least 30 cm when using the jet for cleaning painted surfaces to avoid damage.

### ATTENTION

Car tyres, paint or sensitive surfaces such as wood should not be cleaned with the dirt blaster, as there is a risk of damage.

- Select a spray lance suitable for the cleaning task. Illustration 
- Push the spray lance into the trigger gun and fasten it by a 90° rotation.
- Turn on the appliance "I/ON".
- Unlock the lever of the trigger gun.
- Push the lever of the trigger gun, the device will switch on.

**Note:** Release the lever of the trigger gun; the device will switch off again. High pressure remains in the system.





### Full Control spray lance Vario Power

- Turn the spray lance until the LED of the required pressure level is on at the pressure indicator of the trigger gun.

### Full Control System

The pressure indicator on the trigger gun shows the currently set pressure level during operation with a Full Control spray lance.

**Note:** The pressure indicator is not significant during operation with the T-Racer and other accessories.

Pressure level	For example, recommended for	
	<b>HARD</b>	Stone terraces made of paving stones or exposed aggregate concrete, asphalt, metal surfaces, garden utensils (wheelbarrow, spade, etc.)
	<b>MEDIUM</b>	Motorcar / motorcycle, brick surfaces, plastered walls, plastic furniture
	<b>SOFT</b>	Wooden surfaces, bicycles, sand stone surfaces, rattan furniture
	<b>MIX</b>	Operation with detergent

### ATTENTION

The sensitivity of the materials can strongly differ depending on the age and the condition. The so-called recommendations are non-binding.

## Operation with washing brush

### ATTENTION

Risk of damage to the paintwork

When working with the washing brush, it must be free of dirt or other particles.

- Push the washing brush into the trigger gun and fasten it by a 90° turn.

**Note:** If required, the washing brushes can be used to work with detergent.

## Operation with detergent


### \* Optional accessories

Most KÄRCHER detergents can be bought ready to use in a Plug 'n' Clean detergent bottle.

**Note:** Detergent can only be added when the device is operated in low pressure mode.

### ⚠ DANGER

When using detergents, the material data safety sheet issued by the detergent manufacturer must be adhered to, especially the instructions regarding personal protective equipment.

Illustration 

- Remove the cap of the Plug 'n' Clean detergent bottle.
  - Push the detergent bottle with the opening pointing downwards into the connection for the Plug 'n' Clean detergent.
  - Use Vario Power spray lance.
  - Turn the spray lance towards "MIX" until the LED "MIX" is on on the pressure indicator of the trigger gun.
- Note:** This will mix the detergent with the water stream.

### Recommended cleaning method

- Spray the detergent sparingly on the dry surface and allow it to react, but not to dry.
- Spray off loosened dirt with the high pressure jet.


### After operation with detergent

- Remove the Plug 'n' Clean detergent bottle from the intake and close it with the lid.
- For storage, put the detergent bottle into the retainer with the cap pointing up.

### Foam nozzle

- Fill the detergent solution in the detergent tank of the foam nozzle (observe dosage instructions on the packaging of the detergent).
- Connect the detergent tank to the foam nozzle.
- Connect the foam nozzle to the trigger gun.

## Interrupting operation

- Release the lever of the trigger gun.
- Lock the lever of the trigger gun. Illustration 
- Put the trigger gun with the spray lance into the parking position.
- During longer breaks (more than 5 minutes), also turn the appliance off using the "0/OFF" switch.

### Finish operation

- Release the lever of the trigger gun.
- Turn off the appliance "0/OFF".
- Disconnect the mains plug from the socket.

#### ⚠ CAUTION

Only separate the high-pressure hose from the trigger gun or the device when there is no pressure in the system.

- Turn off tap.
- Press the lever of the trigger gun to release any remaining pressure in the system.
- Release the lever of the trigger gun.
- Lock the lever of the trigger gun.

#### ATTENTION

When disconnecting the supply or high pressure hose, warm water may leak from the connections after operation.

- Detach the appliance from the water supply.

### Transport

#### ⚠ CAUTION

Risk of personal injury or damage!  
Mind the weight of the appliance during transport.

#### When transporting by hand

- Lift appliance by the carrying handle and carry it.
- Pull out the transport handle until it audibly snaps into place.
- Pull the appliance by its transport handle.

#### When transporting in vehicles

- Prior to horizontal transport: Remove the Plug 'n' Clean detergent bottle from the intake and close it with the lid.
- Secure the appliance against shifting and tipping over.

### Storage

#### ⚠ CAUTION

Risk of personal injury or damage!  
Consider the weight of the appliance when storing it.

#### Storing the Appliance

- Park the machine on an even surface.
- Detach spray lance from the trigger gun.
- Push the disconnect button on the trigger gun and pull the high-pressure hose out of the trigger gun.
- Place the trigger gun into the storage for the trigger gun.
- Put both spray lances into the storage for the spray lance.
  - Dirtblaster spray lance: Nozzle towards the bottom.
  - Vario Power spray lance: Nozzle towards the top.
- Coil the high-pressure hose and hang it over the hose storage.
- Store the mains connection in the accessory compartment.

Prior to extended storage periods, as during the winter, also observe the instructions in the Care section.

### Frost protection

#### ATTENTION

Appliances and accessories that are not completely drained can be destroyed by frost. Completely drain appliance and accessories and protect them against frost.

To avoid damage:

- Detach the appliance from the water supply.
- Detach spray lance from the trigger gun.
- Turn on the appliance "I/ON".
- Push the lever of the trigger gun until no more water is escaping (approx. 1 min).
- Release the lever of the trigger gun.
- Lock the lever of the trigger gun.
- Turn off the appliance "0/OFF".
- Store the appliance and the entire accessories in a frost free room.

### Care and maintenance

#### ⚠ DANGER

Risk of electric shock.

- Prior to all work on the appliance, switch off the appliance and pull the power plug.

### High pressure hose

The high pressure hose is specially constructed with reinforced walls to handle water pressure up to 13 MPa (1900 psi) - it can be easily damaged and should be stored carefully.

- Do not kink.
  - Do not drive vehicles over the hose.
  - Do not expose the hose to sharp edges or corners.
- Misuse will lead to ballooning or premature failure and will invalidate warranty.

### Clean the sieve in the water connection

Clean the sieve in the water connection regularly.

- Remove coupling from the water connection.

#### ATTENTION

The sieve must not be damaged.

Illustration **L**

- Pull the sieve out using flat pliers.
- Clean the sieve under running water.
- Reinsert the sieve into the water connection.

### Changing the batteries of the trigger gun

The batteries are depleted if nothing is shown on the display of the trigger gun anymore.  
Two batteries or accumulators of the size AAA are required.

Illustration **M**

- Push the locking slide.
- Open battery compartment.
- Remove the batteries.
- Insert new batteries and observe the correct orientation of the terminals.
- Close battery compartment.
- Dispose of the used batteries according to the local provisions.

## Troubleshooting

### **⚠ DANGER**

*Risk of electric shock. Turn off the appliance and remove the mains plug prior to performing any care and maintenance work.*

*Repair work and work on the electrical components may only be performed by an authorised customer service. You can rectify minor faults yourself with the help of the following overview.*

*If in doubt, please consult the authorized customer service.*

### Appliance is not running

- Push the lever of the trigger gun, the device will switch on.
- Check whether the voltage indicated on the type plate corresponds to the voltage of the mains supply.
- Check the mains connection cable for damages.
- Motor overloaded, the motor circuit breaker has tripped.
  - Turn off the appliance "0/OFF".
  - Allow the device to cool down for **one hour**.
  - Switch on the device and put it into operation again. If the malfunction occurs repeatedly, have the device checked by the customer service.

### Appliance does not start, motor hums

Voltage reduction due to weak mains supply or when using an extension cable.

- Upon switch-on, push the lever of the trigger gun first and then switch the power switch to "I/ON".

### Pressure does not build up in the appliance

- Check setting at the spray lance.
- Check water supply for adequate delivery rate.
- Pull out the sieve in the water connection using flat-nose pliers and clean under running water.
- Remove air from appliance before operation. Switch on the appliance without connection the HP hose (max. 2 minutes) and run it until the water discharging from the HP outlet is free of bubbles. Switch off appliance and reconnect HP hose.

### Strong pressure fluctuations

- Clean high-pressure nozzle. Remove dirt and debris from the nozzle bore, using a needle and rinse through with water from the front.
- Check water flow quantity.

### Appliance is leaking

- Dropwise leakage of the device is normal for technical reasons. If the leakage increases contact the authorized customer service.

### No detergent infeed

- Use Vario Power spray lance. Turn the spray lance to "Mix" position.
- Check whether the Plug 'n' Clean detergent bottle is placed into the detergent connection facing down.

### No pressure indicator on the trigger gun

- Check / replace the batteries

## Accessories and Spare Parts

Only use original accessories and spare parts, they ensure the safe and trouble-free operation of the device. For information about accessories and spare parts, please visit [www.kaercher.com](http://www.kaercher.com).

## Warranty

The warranty terms published by the relevant sales company are applicable in each country. We will repair potential failures of your appliance within the warranty period free of charge, provided that such failure is caused by faulty material or defects in manufacturing. In the event of a warranty claim please contact your dealer or the nearest authorized Customer Service centre. Please submit the proof of purchase.

Addresses can be found under:

[www.kaercher.com/dealersearch](http://www.kaercher.com/dealersearch)

## Helpline

KÄRCHER UK Limited operates a helpline allowing customers to discuss any problems experienced with our products.

The helpline operates during normal business hours and may be busy at peak periods. If you have difficulty getting through we would ask that you try to contact us again later in the day.

**The helpline number is 01295 752200, open from 8.30 am to 5.00 pm Monday to Friday.**

It helps us if you have the model number and data plate details to hand before making your call so that we can assist you with your query more effectively.

**Alternatively you may write to us at the address below:**

KÄRCHER UK Ltd  
Kärcher House  
Beaumont Road  
Banbury  
Oxon, OX16 1TB

**or E-mail us:**

[info@karcher.co.uk](mailto:info@karcher.co.uk)

## Technical specifications

Electrical connection	
Voltage	230-240 V 1~50 Hz
Connected load	1,8 kW
Protection class	IP X5
Protective class	I
Mains fuse (slow-blow)	13 A
Water connection	
Max. feed pressure	1,2 MPa
Max. feed temperature	40 °C
Min. feed volume	9 l/min
Max. Suction height	0,5 m
Performance data	
Working pressure	11 MPa
Max. permissible pressure	13 MPa
Water flow rate	6,3 l/min
Max. flow rate	7,0 l/min
Detergent flow rate	0,3 l/min
Recoil force of the trigger gun	16 N
Dimensions and weights	
Length	397 mm
Width	305 mm
Height	584 mm
Weight, ready to operate with accessories	12,8 kg
Values determined as per EN 60335-2-79	
Hand-arm vibration value	4,2 m/s <sup>2</sup>
Uncertainty K	0,9 m/s <sup>2</sup>
Sound pressure level L <sub>pA</sub>	75 dB(A)
Uncertainty K <sub>pA</sub>	3 dB(A)
Sound power level L <sub>WA</sub> + Uncertainty K <sub>WA</sub>	91 dB(A)

Subject to technical changes.

## EU Declaration of Conformity

We hereby declare that the machine described below complies with the relevant basic safety and health requirements of the EU Directives, both in its basic design and construction as well as in the version put into circulation by us. This declaration shall cease to be valid if the machine is modified without our prior approval.

**Product:** High pressure cleaner  
**Type:** 1.324-xxx

### Relevant EU Directives

2000/14/EC  
2014/30/EU  
2006/42/EC (+2009/127/EC)  
2011/65/EU

### Applied harmonized standards

EN 50581  
EN 55014-1: 2006+A1: 2009+A2: 2011  
EN 55014-2: 2015  
EN 60335-1  
EN 60335-2-79  
EN 61000-3-2: 2014  
EN 61000-3-3: 2013  
EN 62233: 2008


### Applied conformity evaluation method


2000/14/EC: Appendix V

### Sound power level dB(A)

Measured: 88  
Guaranteed: 91

The undersigned act on behalf and under the power of attorney of the company management.

  
H. Jenner  
Chief Executive Officer

  
S. Reiser  
Head of Approbation

Authorised Documentation Representative  
S. Reiser

Alfred Kärcher GmbH Co. KG  
Alfred-Kärcher-Str. 28 - 40  
71364 Winnenden (Germany)  
Phone: +49 7195 14-0  
Fax: +49 7195 14-2212

Winnenden, 2016/10/01

البيانات الفنية	
<b>التوصيل الكهربائي</b>	
V 230-240	الجهد الكهربائي
Hz 1~50	
kW 1,8	سلك التوصيل
IP X5	درجة الحماية
I	فئة الحماية
A 13	منصهرات التغذية الكهربائية الرئيسية (الوضع الساكن)
<b>وصلة المياه</b>	
MPa 1,2	ضغط التدفق (الحد الأقصى)
°C 40	درجة حرارة التدفق (الحد الأقصى)
l/min 9	كمية التدفق (الحد الأدنى)
m 0,5	الحد الأقصى لارتفاع الشفط
<b>بيانات الأداء</b>	
MPa 11	ضغط العمل
MPa 13	أقصى ضغط مسموح به
l/min 6,3	كمية تدفق المياه
l/min 7,0	كمية تدفق (الحد الأقصى)
l/min 0,3	كمية تدفق مواد التنظيف
N 16	قوة ارتداد مسدس الضغط العالي
<b>الأبعاد والأوزان</b>	
mm 397	الطول
mm 305	العرض
mm 584	الارتفاع
kg 12,8	الوزن والجهاز جاهز للعمل مع الملحقات التكميلية
<b>القيم المحسوبة وفقاً للمواصفة EN 60335-2-79</b>	
m/s <sup>2</sup> 4,2	قيمة اهتزاز ذراع اليد
m/s <sup>2</sup> 0,9	الشك K
dB(A) 75	مستوى ضغط الصوت L <sub>PA</sub>
dB(A) 3	الشك K <sub>PA</sub>
dB(A) 91	مستوى قدرة الصوت L <sub>WA</sub> +
	الشك K <sub>WA</sub>

المواصفات الفنية خاضعة للتعديل.

### تذبذب الضغط بقوة

- ← تنظيف منفث الضغط العالي: يتم إزالة القاذورات من فتحة المنفث باستخدام إبرة وتغسل الفتحة بالماء بحيث يكون الغسل من الناحية الأمامية.
- ← يتم التحقق من كمية تدفق الماء.

### التسرب من الجهاز

- ← حدوث تسرب في شكل قطرات من الجهاز يعد ضرورة تقنية. في حالة زيادة نسبة التسرب عن ذلك يلزم الرجوع إلى خدمة العملاء المعتمدة.

### لا يتم شفط مواد التنظيف.

- ← استخدم أنبوب الشعاع Vario Power. لف أنبوب الشعاع إلى الوضع „Mix“ (الحد الأقصى).
- ← تأكد من تركيب زجاجة مادة التنظيف 'Plug 'n Clean في وصلة مادة التنظيف مع توجيه الفتحة إلى أسفل.

### لا يوجد مؤشر ضغط بمسدس الضغط العالي

- ← فحص/استبدال البطاريات

### الملحقات وقطع الغيار

اقتصر على استخدام الملحقات التكميلية الأصلية وقطع الغيار الأصلية، والتي تضمن تشغيل الجهاز بشكل آمن وخالٍ من الاختلالات. تجد المعلومات الخاصة بالملحقات التكميلية وقطع الغيار عبر موقع الويب: [www.kaercher.com](http://www.kaercher.com).

### الضمان

في كل دولة تسري شروط الضمان التي تضعها شركة التسويق المختصة التابعة لنا. نحن نتولى تصليح الأعطال التي قد تطرأ على جهازك بدون مقابل خلال فترة الضمان طالما أن السبب في هذه الأعطال ناجم عن وجود عيب في المواد أو في الصنع. في حال استحقاق الضمان، يرجى التوجه بقسيمة الشراء إلى أقرب موزع أو مركز خدمة عملاء معتمد.

تجد العناوين من خلال:

[www.kaercher.com/dealersearch](http://www.kaercher.com/dealersearch)

## الحماية من التجمد

### تنبيه

يمكن أن تتلف الأجهزة والملحقات التي لم يتم تفرغها بشكل تام تحت تأثير التجمد. يتم تفرغ الجهاز والملحقات تمامًا وحمايتهم من التجمد. تفاديا لحدوث تلفيات:

- ← افصل الجهاز عن مصدر الإمداد بالمياه.
- ← يتم فصل أنبوب الشعاع من مسدس الضغط العالي.
- ← قم بتشغيل الجهاز بالنقر على المفتاح „I/ON“.
- ← اضغط ذراع مسدس الضغط العالي حتى يتوقف دخول الماء تمامًا (دقيقة واحدة تقريبًا).
- ← يتم ترك ذراع مسدس الضغط العالي في الوضع الحر.
- ← أحكم إغلاق ذراع مسدس الضغط العالي.
- ← قم بإيقاف تشغيل الجهاز بالضغط على „OFF/0“.
- ← يتم حفظ الجهاز وملحقاته كاملة في مكان ضد التجمد.

## العناية والصيانة

### ⚠ خطر

خطر التعرض لصدمة كهربائية.

- ← قبل إجراء أعمال بالجهاز يتم إيقاف تشغيله ويتم سحب القابض خارج المقبس.

### تنظيف المصفاة الموجودة في وصلة الماء

- ← قم بتنظيف المصفاة الموجودة في وصلة الماء بصفة منتظمة.
- ← إزالة القارنة من وصلة الماء.

### تنبيه

لا يجوز إنلاف المصفاة.

### صورة L

- ← يتم سحب المصفاة باستخدام زردية مسطحة.
- ← قم بتنظيف المصفاة بالماء الجاري.
- ← قم بإعادة تركيب المصفاة في وصلة الماء.

### استبدال بطاريات مسدس الضغط العالي

تصبح البطاريات مستهلكة، عندما لا يتم عرض أي شيء في شاشة مسدس الضغط العالي. وجبها يجب استخدام بطاريتين عاديتين أو قابلتين للشحن من الحجم AAA.

### صورة M

- ← اضغط على مزلاج القفل.
- ← افتح علبة البطاريات.
- ← أخرج البطاريات.
- ← ضع البطاريات الجديدة واحرص على مراعاة الاتجاه الصحيح للأقطاب في أثناء ذلك.
- ← أغلق علبة البطاريات.

- ← تخلص من البطاريات المستخدمة وفقًا للوائح السارية.

## المساعدة عند حدوث أعطال

### ⚠ خطر

خطر التعرض لصدمة كهربائية. قبل القيام بجميع أعمال العناية والصيانة يجب إيقاف الجهاز وسحب قابس الشبكة. غير مسموح بإجراء الإصلاحات والعمل بالمكونات الكهربائية بالجهاز إلا لخدمة العملاء المعتمدة. يمكنك إصلاح الأعطال البسيطة بنفسك مع الاستعانة بالعرض العام التالي. في حالة الشك في وجود عطل برجاء التوجه إلى خدمة العملاء المعتمدة.

### الجهاز لا يعمل

- ← اضغط ذراع مسدس الضغط العالي، فيتم تشغيل الجهاز.
- ← تحقق من تطابق الجهد المدون على لوحة الصنع مع جهد مصدر التيار.
- ← يجب التحقق من عدم وجود تلفيات بوصلة سلك التوصيل الرئيسي.
- ← في حالة زيادة التحميل على المحرك يتم تفعيل مفتاح حماية المحرك.
- ← قم بإيقاف تشغيل الجهاز بالضغط على „OFF/0“.
- ← اترك الجهاز ليبرد لمدة ساعة.
- ← قم بتشغيل الجهاز واستئناف العمل مرة أخرى. إذا ظهر الخطأ أكثر من مرة، فاترك لخدمة العملاء مهمة فحص الجهاز.

### الجهاز لا يعمل مع سماع هدير المحرك،

- ← هبوط الفلطة نتيجة لضعف شبكة التيار أو عند استخدام كابل التمديد.
- ← عند التشغيل يتم ضغط ذراع مسدس الضغط العالي أولاً ثم يضبط مفتاح الجهاز على التشغيل „I/ON“.

### الجهاز لا يصدر أي ضغط.

- ← يجب التحقق من ضبط أنبوب الشعاع.
- ← التحقق من الإمداد بالمياه وفقًا لكمية التدفق الكافية.
- ← اسحب المصفاة الموجودة بوصلة الماء للخارج باستخدام زردية مفلطحة ونظفها بالماء الجاري
- ← قم بتفريغ الجهاز من الهواء قبل تشغيله.
- ← قم بتشغيل الجهاز بدون توصيل أنبوب الشعاع ثم اتركه يعمل (دقيقتين كحد أقصى)، حتى يخرج الماء من المسدس خاليًا من الفقاعات الهوائية. قم بإيقاف الجهاز وتوصيل أنبوب الشعاع مرة أخرى.



- ← استخدم أنبوب الشعاع Vario Power.
- ← قم بلف أنبوب الشعاع باتجاه الوضع "MIX" حتى يضيء دايود الوضع "MIX" والموجود على مؤشر ضغط مسدس الضغط العالي.
- ← ملحوظة: وهكذا يُضاف محلول مواد التنظيف إلى شعاع الماء عند التشغيل.

#### طرق التنظيف الموصى بها

- ← يتم رش مواد التنظيف بحرص على الأسطح الجافة وتترك لتقوم بمفعولها (ليس لتجف).
- ← تُغسل الأوساخ المتفككة بشعاع الضغط العالي.

#### بعد التشغيل باستخدام مادة تنظيف

- ← انزع زجاجة مادة التنظيف Plug 'n' Clean من موضع التثبيت وأغلقها بالغطاء.
- ← ضع زجاجة مادة التنظيف في موضع التثبيت لحفظها مع توجيه الغطاء لأعلى.

#### فوهة الرغوة

- ← املا خزان مادة التنظيف بفوهة الرغوة بمحلول مادة التنظيف (يجب الالتزام ببيانات كمية التعبئة الموجودة على وعاء مواد التنظيف).
- ← اربط فوهة الرغوة بخزان مادة التنظيف.
- ← قم بإدخال فوهة الرغوة في مسدس الرش اليدوي وتثبيتها بلفها بزاوية قدرها 90°.

#### قطع التشغيل

- ← يتم ترك ذراع مسدس الضغط العالي في الوضع الحر.
- ← أحكم إغلاق ذراع مسدس الضغط العالي.
- ← صورة K
- ← ضع مسدس الضغط العالي مع أنبوب الشعاع في وضع الإيقاف.
- ← ومع زيادة طول فترات توقف العمل (أكثر من 5 دقائق) يتم إيقاف تشغيل الجهاز من مفتاح الجهاز „OFF/0“.

#### إنهاء التشغيل

- ← يتم ترك ذراع مسدس الضغط العالي في الوضع الحر.
- ← قم بإيقاف تشغيل الجهاز بالضغط على „OFF/0“.
- ← اسحب قابس الشبكة من مقبس التوصيل.
- ← تنبيه
- ← في حالة عدم توفر الضغط بالنظام، يتم فصل خرطوم الضغط العالي من مسدس الضغط العالي أو من الجهاز فقط.
- ← أغلق صنبور المياه
- ← يتم ضغط ذراع مسدس الضغط العالي للتخلص من الضغط المتبقي في النظام.

- ← يتم ترك ذراع مسدس الضغط العالي في الوضع الحر.
- ← أحكم إغلاق ذراع مسدس الضغط العالي.

#### تنبيه

**احترس:** عند فصل خرطوم التغذية أو خرطوم الضغط العالي، يمكن أن تخرج مياه دافئة من الوصلات بعد التشغيل.

- ← أفضل الجهاز عن مصدر الإمداد بالمياه.

### النقل

#### ⚠ تنويه

خطر التعرض للإصابة وللضرر!  
يرجى مراعاة وزن الجهاز عند النقل!

#### النقل اليدوي

- ← ارفع الجهاز من مقبض الحمل وإحمله.
- ← اسحب مقبض النقل إلى أن يثبت بصوت مسموع.
- ← اسحب الجهاز عن طريق مقبض النقل.

#### النقل في سيارات

- ← نقل الجهاز في وضع مستو: انزع زجاجة مادة التنظيف Plug 'n' Clean من موضع التثبيت وأغلقها بالغطاء.
- ← قم بتأمين الجهاز ضد الانزلاق والانقلاب.

### التخزين

#### ⚠ تنويه

خطر التعرض للإصابة وللضرر!  
يرجى مراعاة وزن الجهاز عند التخزين!

#### تخزين الجهاز

- ← قم بإيقاف الجهاز على أرضية مستوية.
- ← يتم فصل أنبوب الشعاع من مسدس الضغط العالي.
- ← اضغط زر الفصل بمسدس الضغط العالي واسحب خرطوم الضغط العالي من مسدس الضغط العالي.
- ← يتم إدخال مسدس الضغط العالي في مكان الحفظ الخاص به.
- ← يتم إدخال كلا أنبوبي الضغط في مكان الحفظ الخاص بهما.
- أنبوب شعاع مزبل القاذورات: الفوهة لأسفل.
- أنبوب الشعاع Vario Power: الفوهة لأعلى.
- ← قم بلف خرطوم الضغط العالي وتعليقه على حامل الخرطوم.
- ← قم بتخزين وصلة سلك التوصيل الرئيسي في صندوق الملحقات.
- قبل تخزين الجهاز لفترة طويلة، في الشتاء مثلاً، يجب أيضاً مراعاة الإرشادات الواردة في فصل العناية.

مستوى الضغط	يوصى به لـ
<b>3</b> HARD 	على سبيل المثال، الشرفات الحجرية المصنوعة من حجارة الرصف أو الخرسانة المغسولة والأسفلت والأسطح المعدنية وأدوات الحدائق (عربة اليد، المجرفة، الخ)
<b>2</b> MEDIUM 	سيارة ملاكي / الدراجة النارية وأسطح الفرميد والجدران المخصصة والأثاث المصنوع من البلاستيك
<b>1</b> SOFT 	الأسطح الخشبية والدراجات وأسطح الحجر الرملي والأثاث المصنوع من الخيزران
<b>MIX</b> 	التشغيل باستخدام مادة تنظيف

#### تنبيه

حساسية المواد قد تختلف اختلافاً كبيراً تبعاً للعمر والحالة. علماً بأن التوصيات المذكورة غير ملزمة.

#### التشغيل باستخدام فرشاة الغسل

#### تنبيه

خطر حدوث أضرار بالطلاء عند العمل باستخدام فرشاة الغسل يجب مراعاة أن تكون خالية من أي اتساخات أو أية جزيئات أخرى. ← يتم إدخال فرشاة الغسل في مسدس الرش اليدوي ويثبت بلفه بزوايا قدرها 90°. **ملحوظة:** يمكن أيضاً استخدام فرش غسل للعمل باستخدام مادة التنظيف، وذلك عند الحاجة.

#### التشغيل باستخدام مادة تنظيف

#### \* ملحقات اختيارية

يمكن شراء أغلب مواد تنظيف KÄRCHER الجاهزة للاستخدام الفعلي في زجاجة مادة التنظيف Plug 'n' Clean. **إرشاد:** لا يمكن إضافة مواد التنظيف إلا في ضغط منخفض.

#### ⚠ خطر

عند استخدام المنظفات احرص على مراعاة نشرة بيانات السلامة الصادرة من الشركة المنتجة للمنظفات، ولا سيما الإرشادات الخاصة بتجهيز الحماية الشخصية.

#### صورة 1

← انزع الغطاء من زجاجة مادة التنظيف Plug 'n' Clean.

← اضغط زجاجة مادة التنظيف في وصلة مادة التنظيف Plug 'n' Clean مع توجيه الفتحة إلى أسفل.

- ← قم بتشغيل الجهاز ثم اتركه يعمل (دقيقتين كحد أقصى)، حتى يخرج الماء من مسدس الضغط العالي خالياً من الفقاعات الهوائية.
- ← يتم ترك ذراع مسدس الضغط العالي في الوضع الحر.
- ← أحكم إغلاق ذراع مسدس الضغط العالي.

### التشغيل

#### تنبيه

تؤدي دورة التحفيف التي تزيد على دقيقتين إلى حدوث أضرار بمضخة الضغط العالي. إذا لم يتمكن الجهاز من إنشاء أي ضغط في غضون دقيقتين، فقم بإيقاف الجهاز والتصرف حسب الإرشادات الواردة في فصل «المساعدة في حالة حدوث اختلالات».

#### التشغيل بالضغط العالي

#### ⚠ تنويه

عند تنظيف الأسطح المطلوبة يجب ألا تقل المسافة بينها وبين الشعاع عن 30 سم تفادياً لحدوث تلفيات.

#### تنبيه

لا تقم بتنظيف إطارات السيارة أو الطلاء أو الأسطح الحساسة مثل الخشب باستخدام أداة طحن الاتساخات، خطر التعرض للضرر.

← اختر أنبوب شعاع مناسب لإجراء عملية التنظيف. صورة 1

- ← يتم إدخال أنبوب الشعاع في مسدس الضغط العالي ويثبت بلفه بزوايا قدرها 90°.
- ← قم بتشغيل الجهاز بالنقر على المفتاح „I/ON“.
- ← قم بتحريك ذراع مسدس الضغط العالي.
- ← اضغط ذراع مسدس الضغط العالي، فيتم تشغيل الجهاز.

**ملحوظة:** عند تحرير الذراع مجدداً يتوقف الجهاز مرة أخرى. ويظل الضغط العالي متوفراً في النظام.

#### التحكم الكامل بأنبوب الشعاع Vario Power

← قم بلف أنبوب الشعاع حتى يضيء دايمود مستوى الضغط اللازم والموجود على مؤشر ضغط مسدس الضغط العالي.

#### نظام التحكم الكامل

في حالة التشغيل بنظام التحكم الكامل بأنبوب الشعاع، يُظهر مؤشر الضغط بمسدس الضغط العالي مستوى الضغط المضبوط حالياً. **إرشاد:** عند التشغيل بالاستعانة بعربة السباق المصممة على شكل حرف T والملحقات الأخرى، يصير مؤشر الضغط غير مجدي.

**ملحوظة:** يجب مراعاة الضبط الصحيح لحلمات التوصيل.

← يتم التحقق من أمان التوصيل عن طريق السحب من خرطوم الضغط العالي.

### التشغيل

← وضع الجهاز على أرضية مستوية.

← أدخل القابس في المقبس.

### الإمداد بالمياه

قيم التوصيل - انظر لوحة الصنع/البيانات الفنية.

#### تنبيه

قد تضر الملوثات الموجودة في المياه بمضخة الضغط العالي والملحقات. وللوقاية منها ينصح باستخدام مرشح مياه KÄRCHER (ملحق خاص، رقم الطلب 4.730-059)

### الإمداد بالماء من وصلة الماء

يجب مراعاة القواعد الخاصة بشركة الإمداد بالماء.

#### تنبيه

قارنات الخرطوم المعدنية المزودة بوحدة إيقاف المياه قد تؤدي إلى الإضرار بالمضخة! يرجى استخدام قارنات الخرطوم المصنوعة من البلاستيك أو قارنات خرطوم KÄRCHER النحاسية.

#### صورة H

← يجب تثبيت قطعة التقارن المصاحبة في وصلة الماء الموجودة بالجهاز.

← قم بتثبيت خرطوم الإمداد بالمياه على القابض الموجود على وصلة الماء.

← قم بتوصيل خرطوم الماء بصبور الإمداد بالماء.

← قم بفتح صبور المياه باستمرار.

### قم بشطف الماء من أوعية مفتوحة

إن منظف الضغط العالي هذا مع خرطوم شفط KÄRCHER بصمام غير مرجع (ملحق خاص، رقم الطلب 100-2.643) لشفط مياه سطحية مثل براميل تجميع الأمطار أو البرك (الحد الأقصى لارتفاع الشفط انظر البيانات الفنية).

**إرشاد:** قارنات وصلة الماء تصبح غير ضرورية عند القيام بالشفط.

← املاً خرطوم الشفط بالماء.

← اربط خرطوم الشفط بوصلة الماء بالجهاز وقم بتعليقه في مصدر للإمداد بالمياه (مثل برميل الأمطار).

تفريغ الجهاز من الهواء قبل التشغيل كما يلي:

← قم بتشغيل الجهاز بالنقر على المفتاح „I/ON“.

← قم بتحريك ذراع مسدس الضغط العالي.

← اضغط ذراع مسدس الضغط العالي، فيتم تشغيل الجهاز.

## مجموعة

### الصور الإيضاحية انظر صفحة 3

قبل بدء التشغيل يتم تثبيت الأجزاء المفكوكة المرفقة مع الجهاز.

تحقيقاً لهذا الغرض، فإنه يلزم استخدام المسامير المسلمة مع المنتج ومفك صلوية PH 2.

### تركيب قدم التثبيت

#### صورة A

← وقم بتأمينها بالسدادات المرفقة مع مراعاة ضبط السدادة.

#### صورة B

← توصيل قدم التثبيت.

← ضع مسامير التثبيت المرفقة في الفتحات حتى النهاية.

← قم بتثبيت قدم التثبيت باستخدام البراغي المرفقة.

### تركيب مكان حفظ أنابيب الشعاع

#### صورة C

← قم بتعليق مكان حفظ أنابيب الشعاع.

← قم بتثبيت مكان حفظ أنابيب الشعاع باستخدام برغيتين.

### قم بتركيب مقبض النقل.

#### صورة D

← قم بتوصيل مقبض الحمل.

← قم بتثبيت مقبض الحمل باستخدام برغيتين.

### تركيب الشبكة بموضع حفظ الملحقات

#### صورة E

← علق الشبكة في الخفافات الموضحة في الصورة.

### لف خرطوم الضغط العالي

← لف خرطوم الضغط العالي بالكامل وفك العقد والالتواءات.

### إدخال خرطوم الضغط العالي عبر مجرى الخرطوم

#### صورة F

← إدخال خرطوم الضغط العالي المستقيم من الخلف عبر مجرى الخرطوم.

### اربط خرطوم الضغط العالي بمسدس الرش اليدوي.

#### صورة G

← قم بإدخال خرطوم الضغط العالي في مسدس الرش اليدوي حتى يثبت في موضعه بصوت مسموع.

## وصف الجهاز

يوجد على العلبة صورة لمشمولات الجهاز (تبعاً للطران). يصف دليل التشغيل هذا جميع الخيارات الممكنة.

### الصور الإيضاحية انظر صفحة 2

- 1 قارنة لوصلة الماء
- 2 وصلة ماء مزودة بمصفاة مركبة
- 3 خرطوم الضغط العالي
- 4 مجرى الخرطوم
- 5 مكان حفظ أنابيب الشعاع
- 6 تخزين/ وضع إيقاف مسدس الضغط العالي
- 7 وصلة لمادة التنظيف Plug 'n' Clean
- 8 مقبض
- 9 مقبض للنقل، قابل للفك
- 10 حامل الخرطوم
- 11 وصلة الضغط العالي
- 12 مفتاح الجهاز "تشغيل/ إيقاف"
- 13 وصلة سلك التوصيل الرئيسي والقابس الكهربائي
- 14 موضع حفظ الملحقات
- 15 خطافات لتثبيت الشبكة
- 16 شبكة لموضع حفظ الملحقات
- 17 عجلة نقل
- 18 قدم تثبيت مزودة بمقبض حمل
- 19 التحكم الكامل بمسدس الضغط العالي
- 20 حجرة البطارية
- 21 دايود مبين الضغط
- 22 صمام غلق علبة البطارية
- 23 صمام غلق مسدس الضغط العالي
- 24 مفتاح لفصل خرطوم الضغط العالي من مسدس الضغط العالي
- 25 التحكم الكامل بأنبوب الشعاع Vario Power يستخدم للقيام بمهام التنظيف الاعتيادية مستويات الضغط: خشن / متوسط / ناعم / خفيف
- 26 التحكم الكامل بأنبوب شعاع مزيل القاذورات بالنسبة للاتساخت العنيدة مستوى الضغط: خشن

### \* اختياري

- 27 فرشاة تنظيف دوارة
- 28 صالحة للتنظيف الآلي على وجه الخصوص. فوهة الرغوة المزودة بخزان مادة التنظيف يتم سحب مادة التنظيف من الخزان وتنشأ رغوة شديدة لمادة التنظيف.
- 29 زجاجة مادة التنظيف Plug 'n' Clean المزودة بسداة غلق

## \*\* ويلزم بالإضافة إلى ذلك

- 30 خرطوم المياه المقوى النسيج المزود بقارنة متداولة.
- القطر لا يقل عن 1/2 بوصة (13 ملم).
- الطول لا يقل عن 7.5 متر.

## الاستخدام المطابق للتعليمات

- لا يُستخدم منظم الضغط العالي هذا إلا للأعمال المنزلية الخاصة فقط:
- لتنظيف الأجهزة والسيارات والمباني والعدد والواجهات والشرفات ومعدات الحدائق وغيرها وذلك باستخدام شعاع ماء بالضغط العالي (إذا لزم الأمر تُضاف مواد تنظيف).
  - مع الملحقات وقطع الغيار ومواد التنظيف المصرح بها من قبل شركة KARCHER. يجب الالتزام بالإرشادات المرفقة مع مواد التنظيف.

## حماية البيئة

### إرشادات حول المكونات (REACH)

تجد المعلومات الحالية حول المكونات في موقع الإنترنت: [www.kaercher.com/REACH](http://www.kaercher.com/REACH)

- المواد المستخدمة في التغليف قابلة لإعادة التصنيع. قم بالتخلص من الغلاف بما يطابق شروط الحفاظ على البيئة.
- تتضمن الأجهزة القديمة العديد من الأجزاء القابلة للتصنيع مرة أخرى والتي ينبغي الاستفادة منها مرة أخرى. البطاريات العادية والقابلة لإعادة الشحن تحتوي على مواد لا يجوز أن تصل إلى البيئة. يرجى التخلص من الأجهزة القديمة والبطاريات العادية والقابلة لإعادة الشحن بطريقة لا تضر بالبيئة. غالباً ما تشتمل الأجهزة الكهربائية والإلكترونية على مكونات قد تشكل خطورة على صحة الإنسان والبيئة في حالة التعامل معها أو التخلص منها بصورة خاطئة. غير أن هذه المكونات ضرورية لتشغيل الجهاز بشكل سليم. ولذلك لا يجوز التخلص من الأجهزة المميزة بهذا الرمز ضمن المهملات المنزلية.
- لا يُسمح بإجراء أعمال النظافة التي يتخلف عنها مياه صرف محتوية على زيوت مثل غسل المحرك والهيكل السفلي للسيارة إلا في أماكن الغسل المزودة بمصفاة زيت.
- لا يجوز إجراء الأعمال التي يُستخدم فيها المنظفات إلا في الأماكن المحكمة ضد التسريب والمزودة بوصلة لشبكة الصرف الصحي. لا تدع المنظفات تترسب إلى المياه أو إلى التربة.
- غير مسموح بإزالة المياه من المسطحات المائية العامة في بعض البلدان.

## معدات الحماية الشخصية

### ⚠تنويه

- يتم ارتداء ملابس ونظارات واقية مناسبة للحماية من المياه والقاذورات التي ترتد متناثرة.
- يمكن أن ينشأ الغبار أثناء استخدام جهاز التنظيف ذي الضغط العالي. وقد يتسبب استنشاق الغبار في حدوث أضرار صحية لاحقاً.
- وفقاً للاستخدام يمكن استخدام المنفثات المحمية بشكل كامل (كمنظفات الأسطح على سبيل المثال) للتنظيف بالضغط العالي والتي تقلل بشكل واضح انبعاثات الهباء الجوي المعبأ بالماء.
- واستخدام تجهيزة الحماية هذه غير ممكن في جميع الاستخدامات.
- وفي حالة ما لم يكن استخدام المنفث المحمي بشكل كامل ممكناً ينبغي استخدام قناع تنفس واق من الفئة (FFP 2) أو ما يعادلها وفقاً للبيئة المراد تنظيفها.

## استخدام مواد التنظيف

### ⚠تحذير

- لقد تم تطوير هذا الجهاز لاستخدام مواد التنظيف التي تنتجها الشركة المنتجة أو تصح باستخدامها. كما أن استخدام أنواع أخرى من مواد التنظيف أو الكيماويات قد يضر بسلامة الجهاز.
- الاستخدام الخاطئ لمواد التنظيف يمكن أن يؤدي إلى حدوث إصابات بالغة أو حالات تسمم.
- يجب حفظ مادة التنظيف بعيداً عن متناول الأطفال.

## إرشادات السلامة

### ⚠ تنويه

- تعمل تجهيزات الأمان على حماية المستخدم وغير مسموح بإدخال تعديلات عليها أو الاستغناء عن وظائفها.

### مفتاح تشغيل الجهاز

يعمل مفتاح تشغيل الجهاز على الحيلولة دون التشغيل غير المتعمد للجهاز.

### صمام غلق مسدس الرش اليدوي

يقوم صمام الغلق بحجز ذراع مسدس الرش اليدوي ويحول دون بدء تشغيل الجهاز بشكل غير متعمد.

### صمام التيار الزائد المزود بمفتاح الضغط

في حالة تحرير الذراع بمسدس الرش اليدوي، يقوم مفتاح الضغط بإغلاق المضخة التي تعمل على إيقاف شعاع الضغط العالي. وعند سحب الذراع، تعمل المضخة مرة أخرى.

### مفتاح حماية المحرك

عندما يكون استهلاك التيار الكهربائي مرتفعاً للغاية، يقوم مفتاح حماية المحرك بإيقاف تشغيل الجهاز.

## الرموز الموجودة على الجهاز

يجب عدم توجيه شعاع الضغط العالي على الأشخاص أو الحيوانات أو الأجهزة الكهربائية المفعلة أو حتى على الجهاز نفسه.

احرص على حماية الجهاز من التجمد.

لا يجب أن يتم توصيل الجهاز بشبكة مياه الشرب العمومية بشكل مباشر.



## مخاطر أخرى

### ⚠️ خطر

- يحظر نهائيًا تشغيل الجهاز في الأماكن القابلة للانفجار.
- لا يتم الرش لتنظيف الأشياء التي تحتوي على مواد تمثل خطورة على الصحة (مثل الأسبستوس).

■ لا تستخدم سوائل قابلة للاشتعال في عملية الرش.

- لا يتم نهائيًا شطف سوائل تحتوي على مواد مذيبة أو أحماض غير مخففة! ومنها على سبيل المثال البنزين أو مخففات الألوان أو الزيوت الساخنة. يعد ضباب الرشاش مادة ذات قابلية عالية للاشتعال ومتفجرة وسامة. لا يتم استعمال الأسيتون والأحماض غير المخففة والمواد المذيبة لأنها تضر الخامات المستخدمة في صنع الجهاز.

■ احفظ رقائق التغليف بعيدًا عن متناول الأطفال، خطر الاختناق!

### ⚠️ تحذير

- وفقًا للقواعد السارية يحظر تشغيل الجهاز مطلقًا بدون وجود فاصل النظام بشبكة مياه الشرب. تأكد من أن وصلة مرفق المياه الخاص بمنزلك والذي يتم تشغيل منطف الضغط العالي عليها مجهزة بفاصل نظام وفقًا للمعايير الأوروبية (EN 12729 Typ BA).

■ المياه التي تساب عن طريق فاصل النظام لا تعد مياه صالحة للشرب.

- خراطيم الضغط العالي والتراكيبات والفارنات ضرورية لأمان الجهاز. يقتصر الاستخدام على خراطيم الضغط العالي والتراكيبات والفارنات التي تنصح بها الشركة المنتجة.

■ عند فصل خرطوم التغذية أو خرطوم الضغط العالي قد يخرج ماء ساخن من الوصلات بعد التشغيل.

### ⚠️ تنويه

- احرص على مراعاة وزن الجهاز (انظر البيانات التقنية) لتجنب وقوع حوادث أو إصابات عند اختيار مكان التخزين.
- يمكن في حالات نادرة أن يؤدي استخدام الجهاز لساعات وبشكل متواصل إلى حدوث تخرر في اليدين.

← يرجى ارتداء القفازات.

← وابقاء الأيدي دافئة.

← وأخذ فترات راحة منتظمة.

- قد تتعرض إطارات السيارات/صمامات الإطارات للتلف والانفجار من تأثير شعاع الضغط العالي. وتوضح أول علامة على حدوث ذلك في تغير لون الإطارات. وتشكل إطارات السيارات وصمامات الإطارات التالفة خطورة على حياة الأفراد. يراعى عند التنظيف ألا تقل المسافة بين الشعاع والجسم الذي يتم تنظيفه عن 30 سم!

### ⚠️ تحذير

- لا يُستخدم الجهاز عند تواجد أشخاص آخرين في نطاق العمل إلا مع ارتدائهم لملابس واقية.
- غير مسموح بتشغيل الجهاز من قبل الأطفال أو غير المدربين.

■ هذا الجهاز غير مخصص للاستخدام من قبل الأشخاص محدودي القدرات البدنية أو الحسية أو العقلية أو من لا تتوافر لديهم الخبرة وأو المعرفة إلا إذا تم الإشراف عليهم من قبل شخص مختص بأمهم وسلامتهم أو بعد حصولهم على تعليمات من هذا الشخص بشأن كيفية استخدام هذا الجهاز والأخطار الناشئة عن ذلك.

■ لا يسمح للأطفال بالعبث بالجهاز.

■ ينبغي مراقبة الأطفال لضمان عدم تلاعبهم بالجهاز.

### ⚠️ تنويه

- قبل إجراء أية أعمال على الجهاز أو باستخدامه احرص على توفير الثبات للجهاز للحيولة دون تعرضه للحوادث أو الإصابات.
- وتأثير شعاع الماء الخارج بمنفذ الضغط العالي تؤثر قوة ارتدادية على مسدس الرش اليدوي. يجب العناية بتوفير وقوف آمن واحكام تثبيت مسدس الرش اليدوي وأنبوب الشعاع.
- يجب عليك دائمًا مراقبة الجهاز طالما كان الجهاز قيد التشغيل.

### تنبيه

- في حالة توقف التشغيل لفترات طويلة احرص على إيقاف الجهاز عن طريق المفتاح الرئيسي / مفتاح الأجهزة وقم بخلع قابس التيار من الشبكة الكهربائية.
- لا يجب تشغيل الجهاز في درجات حرارة تحت الصفر.

## إرشادات السلامة

يرجى قراءة دليل التشغيل الأصلي هذا قبل أول استخدام لجهازكم، ثم التعامل مع الجهاز وفقاً للتعليمات الواردة بهذا الدليل. كما يرجى الاحتفاظ بدليل التشغيل لأي استخدامات أخرى فيما بعد أو في حالة تسليم الجهاز لمستخدمين آخرين.

علاوة على الإرشادات الواردة في دليل التشغيل هذا يجب عليك مراعاة القواعد العامة للسلامة والوقاية من الحوادث والتي يحددها المشرع.

مرفق مع الجهاز توضيح لعلامات التحذير وعلامات الإرشاد والتي تعطى إرشادات مهمة للوصول إلى تشغيل بدون أخطار.

### درجات الخطر

#### ⚠️ خطر

الانتباه إلى المخاطر المباشرة وشبكة الحدوث التي قد تؤدي إلى إصابات جسدية بالغة أو تسبب في الوفاة.

#### ⚠️ تحذير

الانتباه إلى مواقف قد تحفها المخاطر وقد تؤدي إلى إصابات جسدية بالغة أو تسبب في الوفاة.

#### ⚠️ تنويه

الانتباه إلى الموقف الخطير المحتمل والذي قد يؤدي إلى إصابات بسيطة.

#### ⚠️ تنبيه

الانتباه إلى الموقف الخطير المحتمل والذي قد يؤدي إلى أضرار مادية.

### المكونات الكهربائية

#### ⚠️ خطر

خطر التعرض لصدمة كهربائية.

- يجب ألا يتم الإمساك بقباس الشبكة والمقيس بأيدي متبللة بالماء نهائياً.
- يجب التحقق من عدم وجود تلفيات بوصلة سلك التوصيل الرئيسي وقابس الوصل الموجود به وذلك قبل التشغيل في كل مرة. احرص فوراً على استبدال وصلة سلك التوصيل الرئيسي التالفة عن طريق خدمة العملاء المعتمدة/ فني كهربائي مختص. لا تقم بتشغيل الجهاز بواسطة سلك توصيل رئيسي تالف.
- يجب حماية جميع الأجزاء التي يمر بها التيار في نطاق العمل من شعاع الماء.
- يجب أن يكون كل من قابس الوصل وقارنات سلك التمديد مقاوم للماء كما يجب ألا يوضع في الماء يجب ألا تكون القارنات على الأرض. يفضل استخدام الطنابير الكابلية، والتي تضمن عدم تواجدها المقابس على ارتفاع يقل عن 60 مم من سطح الأرض.

- يُرعى ألا تتعرض وصلة سلك التوصيل الرئيسي أو سلك التمديد للضرر أو التلف نتيجة للمرور فوقها أو تعرضها للالتواء والتنب أو التمزق والتعقد وما شابه ذلك. يجب حماية وصلات الشبكة من السخونة والزيت والحواف الحادة.
- قبل القيام بجميع أعمال العناية والصيانة يجب إيقاف الجهاز وسحب قابس الشبكة.
- غير مسموح بإجراء الإصلاحات والعمل بالمكونات الكهربائية بالجهاز إلا لخدمة العملاء المعتمدة.

#### ⚠️ تحذير

- غير مسموح بتوصيل الجهاز بأي دائرة كهربائية سوى تلك التي يقوم بتركيبها كهربائي مختص ويكون ذلك وفقاً للمعيار IEC 60364.
- لا يتم توصيل الجهاز إلا بتيار متردد فقط. يجب أن يتطابق الجهد مع ما هو مدون على لوحة صنع الجهاز.
- فئة الحماية I - يحظر توصيل الأجهزة إلا بمصادر طاقة كهربائية تم تأريضها بصورة صحيحة.
- لأسباب أمنية ننصح بشكل أساسي بتشغيل الجهاز عبر مفتاح قطع الدائرة الكهربائية لتيار الخلل (يحد أقصى 30 مللي أمبير).
- من الممكن أن تشكل أسلاك التمديد الكهربائية غير الملائمة خطورة. في المناطق المفتوحة لا تستخدم إلا أسلاك التمديد الملائمة والمسموح بها لهذا الغرض على أن يكون المقطع العرضي للسلك كافياً:
- $1 - 10 \text{ m} : 1,5 \text{ mm}^2$ ;  $10 - 30 \text{ m} : 2,5 \text{ mm}^2$
- يُفك دائما سلك التمديد من بكرة الكابل بالكامل.

### التعامل الآمن

#### ⚠️ خطر

- يجب على المستخدم استعمال الجهاز وفقاً للتعليمات. وأن يأخذ في اعتباره الظروف المكانية المحيطة ويحرص على سلامة الأشخاص المتواجدين في المكان عند العمل باستخدام الجهاز.
- تحقق دائماً وقبل كل استخدام من المكونات الهامة، مثل خرطوم الضغط العالي، ومسدس الرش اليدوي وتجهيزات الأمان. يتم استبدال المكونات التالفة على الفور. لا تقم بتشغيل الجهاز بواسطة مكونات تالفة.
- أشعة الضغط العالي قد تكون خطيرة في حالة استخدامها بشكل خاطئ أو غير ملائم. يجب عدم توجيه الشعاع على الأشخاص أو الحيوانات أو الأجهزة الكهربائية النشطة أو حتى على الجهاز نفسه.
- لا توجه شعاع الضغط العالي على نفسك أو الآخرين بهدف تنظيف الملابس أو الأحذية.



<http://www.kaercher.com/dealersearch>

