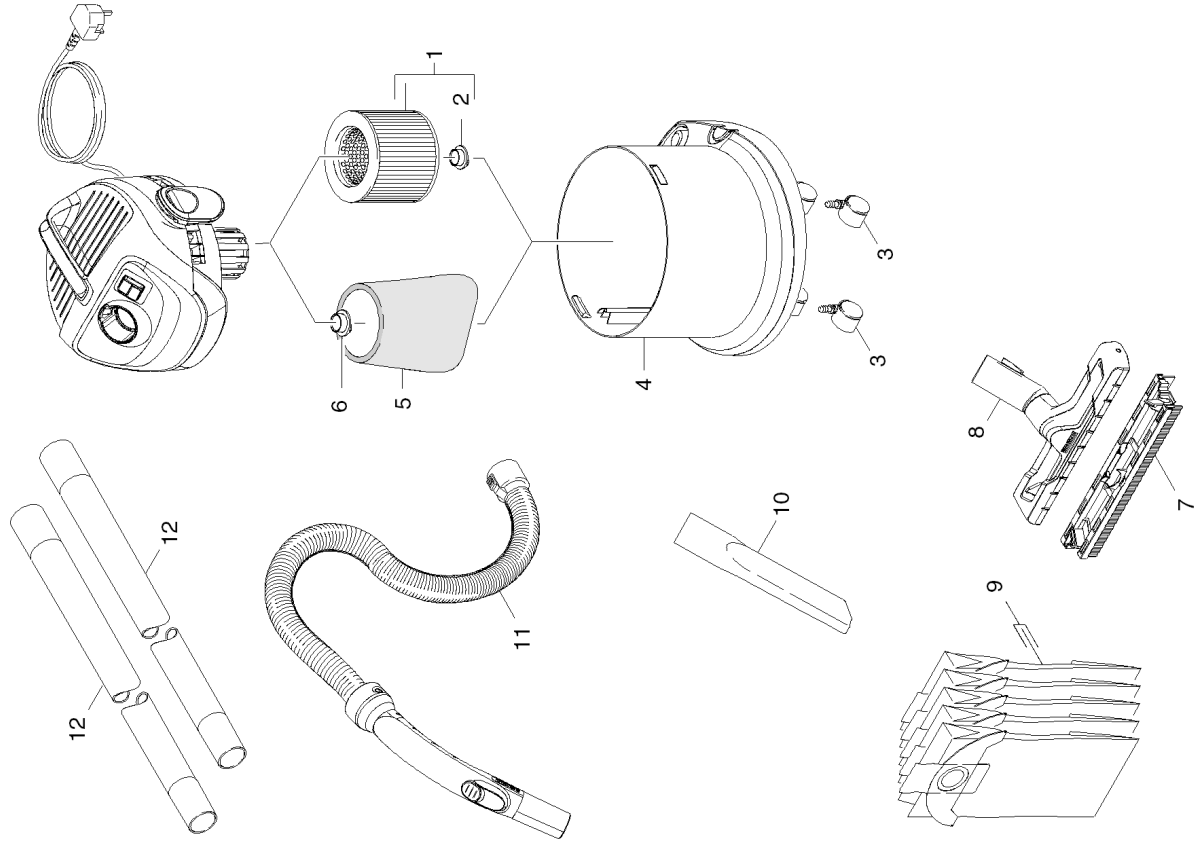


**Short spare parts list (1.629-763.3)**

Home and Garden \ Vacuum cleaner \ Wet-/Dry vacuum cleanerwet \ WD 2 \*GB \ Short spare parts list



## Short spare parts list (1.629-763.3)

Home and Garden \ Vacuum cleaner \ Wet-/Dry vacuum cleanerwet \ WD 2 \*GB \ Short spare parts list

# KÄRCHER

POS	Article no.	Description	Quantity	Unit
1	6.414-552.0	Cartridge filter	1.000	ST
2	4.075-012.0	Closure complete	1.000	ST
3	6.435-353.0	Castor D 42	4.000	ST
4	5.070-667.0	Tank	1.000	ST
5	5.731-595.0	Filter	1.000	ST
6	9.036-691.0	Covering cap	1.000	ST
7	4.629-016.0	Mixing insert floor nozzle packaged	1.000	ST
8	4.629-013.0	Floor tool clip packaged	1.000	ST
9	6.904-322.0	Filter bags 5St.	1.000	ST
10	6.900-385.0	Crevice nozzle DN35	1.000	ST
11	9.012-109.0	Suction hose complete DN35x2	1.000	ST
12	2.863-148.0	Suction tube DN35	2.000	ST