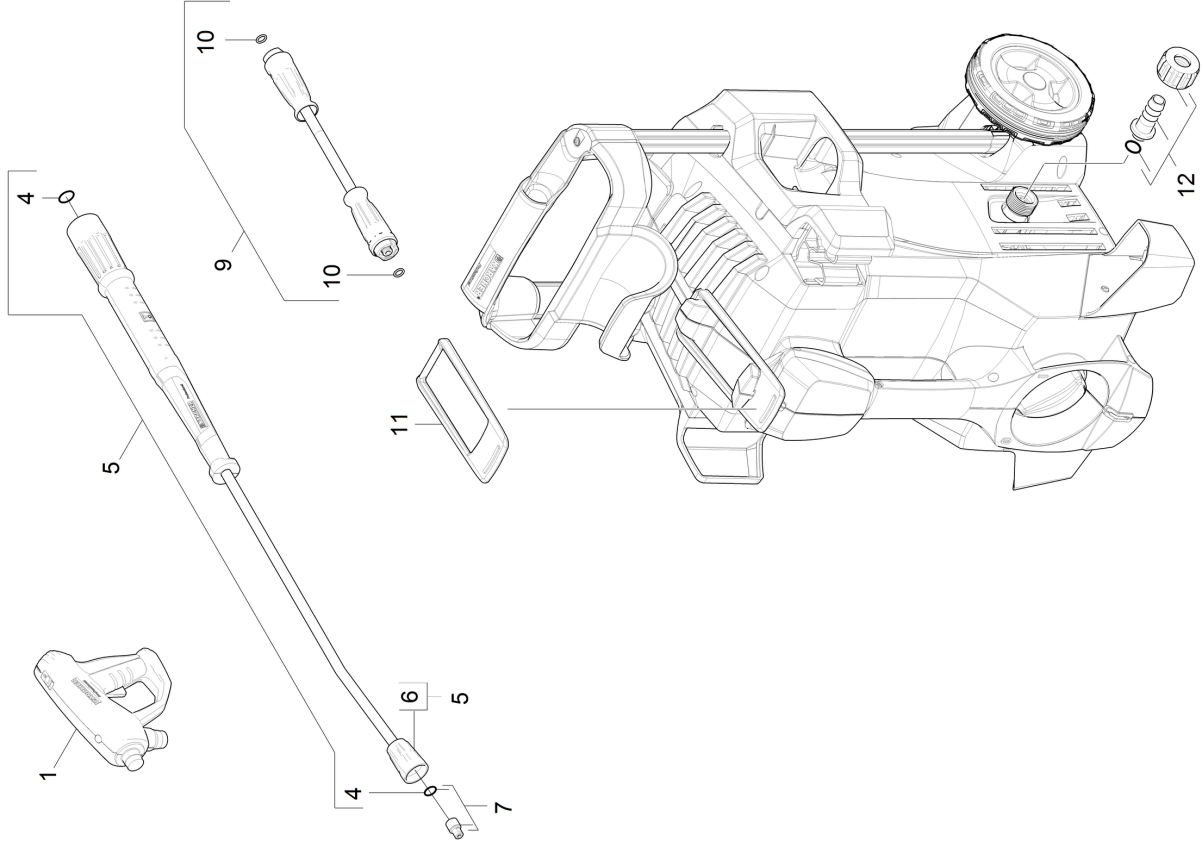


50 Short spare parts list (1.520-965.3)

Professional \ High pressure cleaner cold water \ Electric motor \ HD 4/9 P 1.10V *GB \ Short spare parts list



50 Short spare parts list (1.520-965.3)

Professional \ High pressure cleaner cold water \ Electric motor \ HD 4/g P 1.10V *GB \ Short spare parts list

KÄRCHER

POS	Article no.	Description	Quantity	Unit
1	4.118-005.0	EASY!Force Advanced	1.000	ST
4	2.880-001.0	Spare part set seals TR	2.000	ST
5	4.112-006.0	Jet pipe TR 840 mm	1.000	ST
6	4.112-011.0	Protection part TR only for replacement	1.000	ST
7	2.113-062.0	Power nozzle TR 15030	1.000	ST
9	6.110-034.0	Hose assembly TR DN6 25MPa 10m	1.000	ST
10	2.880-154.0	O-Ring kit	1.000	ST
11	5.379-043.0	Strap	1.000	ST
12	4.401-056.0	Screw connector part	1.000	ST
12	2.645-010.0	Tap adaptor for inhouse fittings	1.000	ST