

# KÄRCHER

makes a difference

## K 2 Full Control

### Operating Instructions

Please read the operating instructions carefully before using the unit.

English

العربية



59674020 (08/18)

## Contents

Safety instructions . . . . .	3
Description of the Appliance . . . . .	8
Proper use . . . . .	9
Environmental protection . . . . .	9
Installation and Startup . . . . .	9
Operation . . . . .	10
Transport and storage . . . . .	10
Maintenance and care . . . . .	11
Troubleshooting . . . . .	11
Helpline . . . . .	11
Accessories and Spare Parts . . . . .	11
Warranty . . . . .	11
Technical specifications . . . . .	12
EU Declaration of Conformity . . . . .	12
Illustration . . . . .	13

## Safety instructions



*Please read and comply with these original instructions prior to the initial operation of your appliance and store them for later use or subsequent owners.*

*Apart from the notes contained herein the general safety provisions and rules for the prevention of accidents of the legislator must be observed.*

*Warnings and notes that are attached on the appliance provide important notes for the safe operation.*

### Hazard levels

#### **△ DANGER**

*Pointer to immediate danger, which leads to severe injuries or death.*

#### **△ WARNING**

*Pointer to a possibly dangerous situation, which can lead to severe injuries or death.*

#### **△ CAUTION**

*Pointer to a possibly dangerous situation, which can lead to minor injuries.*

#### **ATTENTION**

*Pointer to a possibly dangerous situation, which can lead to property damage.*

## Electric components

### **△ DANGER**

*Risk of electric shock.*

- *Never touch the mains plug and the socket with wet hands.*
- *Check the power cord with mains plug for damage prior to every use. Immediately have damaged power cord replaced by an authorised customer service / electrician. Do not operate an appliance if the power cord is damaged.*
- *All current-conducting parts in the working area must be protected against jet water.*
- *The mains plug and the coupling of an extension cable must be watertight and must never lie in water. Moreover, the coupling may never lie on the ground. The use of cable reels that ensure that the sockets are at least 60 mm above the ground is recommended.*
- *Make sure that the power cord or extension cable is not damaged by running over, pinching, dragging or the like. Protect the power cords from heat, oil, and sharp edges.*
- *Turn off the appliance and remove the mains plug prior to any care and maintenance works.*
- *Repair work and work on the electrical components may only be performed by an authorised customer service.*

**△ WARNING**

- *The appliance may only be connected to an electric supply that has been installed by an electrician in accordance with IEC 60364.*
- *The appliance may only be connected to alternating current. The voltage must correspond with the type plate of the appliance.*
- *For safety reasons, we recommend that you operate the appliance only via a residual current device (max. 30 mA).*
- *An unsuitable electrical extension cable can be hazardous. Only use an electrical extension cable which has been approved and labelled for this purpose and has an adequate cable cross-section outdoors: 1 - 10 m: 1.5 mm<sup>2</sup>; 10 - 30 m: 2.5 mm<sup>2</sup>*
- *Always fully unreel the extension cable from the cable drum.*

**Safe handling**

**△ DANGER**

- *The user must use the appliance as intended. The person must consider the local conditions and must pay attention to other persons in the vicinity when working with the appliance.*
- *Check important components, such as high-pressure hose, hand spray gun and safety installations, for damage prior to every operation. Immediately replace damaged components. Do not operate appliance with damaged components.*
- *High-pressure jets can be dangerous if improperly used. The jet may not be directed at persons, animals, live electrical equipment or at the appliance itself.*
- *The high-pressure jet must not be directed at other persons or the user him-/herself to clean clothing or footwear.*
- *Vehicle tyres/tyre valves are susceptible to damage from the high-pressure jet and may burst. The first indication for this is a discolouration of the tyre. Damaged vehicle tyres/tyre valves are perilous. Keep a minimum jet distance of 30 cm during cleaning!*

**△ WARNING**

- *Do not use the appliance when there are other persons around unless they are also wearing protective clothing.*
- *The appliance must not be operated by children or persons who have not been instructed accordingly.*
- *This appliance is not intended for use by persons with limited physical, sensory or mental capacities or lacking experience and/or skills, unless such persons are accompanied and supervised by a person in charge of their safety or they have received precise instructions on the use of this appliance and have understood the resulting risks.*
- *Children must not play with this appliance.*
- *Supervise children to prevent them from playing with the appliance.*

**△ CAUTION**

- *Create stability for the appliance prior to any work on or with the appliance to prevent accidents or damage.*
- *The water jet that is emitted from the high-pressure nozzle results in a repulsion power acting on the hand spray gun. Make sure that you have a firm footing and are also holding the hand spray gun and spray lance firmly.*

- *Never leave the appliance unattended as long as it is in operation.*

**ATTENTION**

- *In case of extended breaks, switch the appliance off at the main switch / appliance switch or pull the mains plug.*
- *Do not operate the appliance at temperatures below 0 °C.*

**Working with detergent**

**△ WARNING**

- *This appliance was designed to be used with detergents which are supplied or recommended by the manufacturer. The use of other detergents or chemicals may compromise the safety of the appliance.*
- *The improper use of detergents can cause severe injuries or toxication.*
- *Store detergents away from the reach of children.*

## Other risks

### **⚠ DANGER**

- *The appliance may not be operated in explosive atmospheres.*
- *Never use the appliance to clean objects containing hazardous substances (e.g. asbestos).*
- *Do not spray flammable liquids.*
- *Never draw in fluids containing solvents or undiluted acids and solvents! This includes petrol, paint thinner and heating oil. The spray mist is highly inflammable, explosive and poisonous. Do not use acetone, undiluted acids and solvents, as they corrode the materials used on the appliance.*
- *Keep packaging films away from children, there is a risk of suffocation!*

### **⚠ WARNING**

- *According to applicable regulations, the appliance must never be used on the drinking water net without a system separator. Ensure that the connection of your building water installation on which the high-pressure cleaner is operated is equipped with a system separator pursuant to EN 12729 Type BA.*
- *Water that has flown through a system separator is no longer classified as drinking water.*

- *High-pressure hoses, fixtures and couplings are important for the safety of the appliance. Only use high-pressure hoses, fixtures and couplings recommended by the manufacturer.*
- *When disconnecting the supply or high pressure hose, hot water may leak from the connections after operation.*

### **⚠ CAUTION**

- *Mind the weight of the appliance when selecting the storage location and during transport (see technical data) to prevent accidents or injuries.*
- *Several hours of continuous use of the appliance can lead to numbness in the hands in rare cases.*
- ➔ *Wear gloves.*
- ➔ *Keep hands warm.*
- ➔ *Take breaks at regular intervals.*

## Safety Devices

### CAUTION

- Safety installations serve the protection of the user and may not be modified or bypassed.

### Power switch

The appliance switch prevents unintentional operation of the appliance.

### Lock trigger gun

This lock locks the lever of the trigger gun and prevents the inadvertent start of the appliance.

### Overflow valve with pressure switch

If the lever on the trigger gun is released the pressure switch turns off the pump, the high pressure jet is stopped. If the lever is pulled the pump is turned on again.

## Symbols on the machine



The high pressure jet must not be directed at persons, animals, live electrical equipment or at the appliance itself. Protect the appliance against frost.



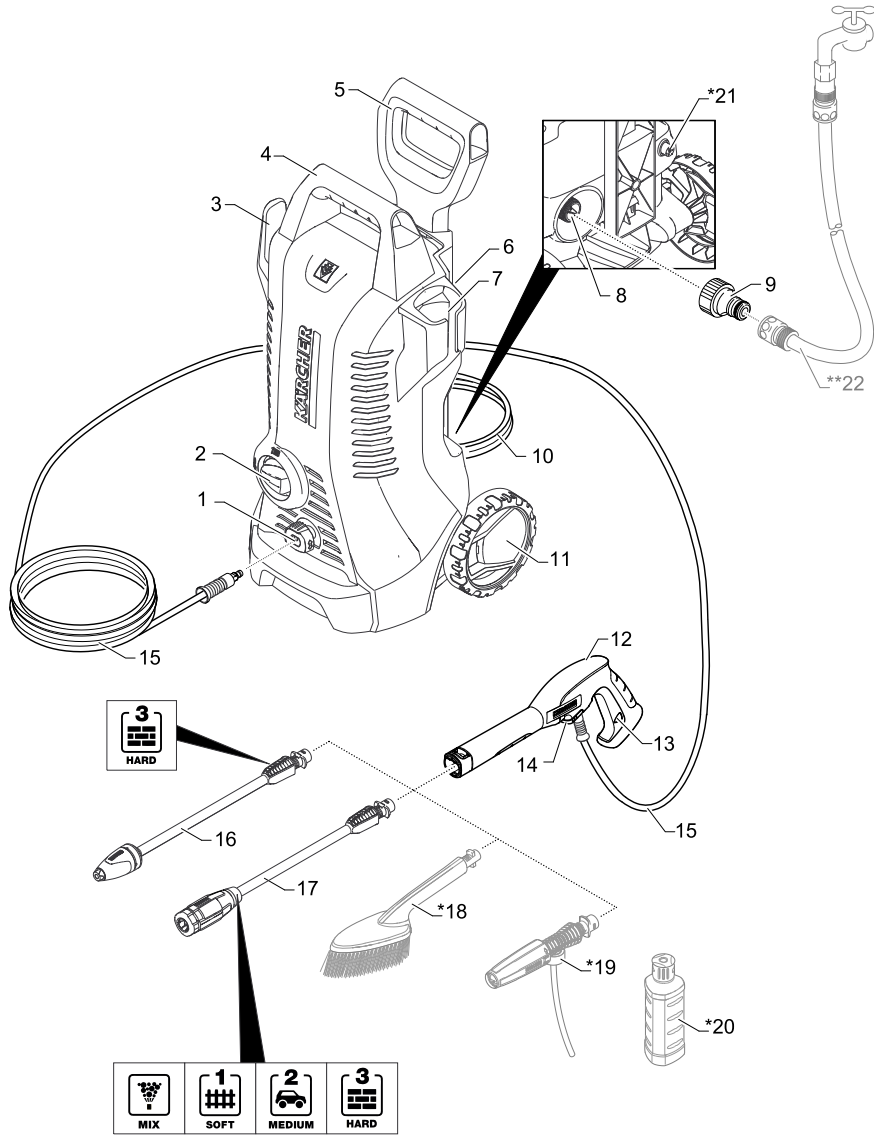
The appliance must not be directly connected to the public drinking water network.

## Personal protective equipment

### CAUTION

- Wear protective clothing and safety goggles to protect against splash back containing water or dirt.
- During the use of high-pressure cleaners aerosols can develop. Inhaling aerosols can cause health damage.
  - Depending on the application, completely shielded nozzles (e.g. surface cleaner) that significantly reduce the emission of aqueous aerosols can be used for high-pressure cleaning.
  - The use of such shielding is not possible with all applications.
  - If the use of a completely shielded nozzle is not possible, a respirator of the category FFP 2 or the like should be used, depending on the environment to be cleaned.

**Description of the Appliance**



\* Please refer to packaging to see whether this feature or accessory is included.



## Description of the Appliance

The scope of delivery of the device (depending on the model) is illustrated on the packaging. These operating instructions describe all possible options.

- 1 High pressure connection
- 2 Appliance switch „0/OFF“ / „I/ON“
- 3 Storage hook
- 4 Carrying handle
- 5 Transport handle, detachable
- 6 Storage for spray lance
- 7 Storage for trigger gun
- 8 Water connection with integrated sieve
- 9 Coupling element for water connection
- 10 Mains cable with mains plug
- 11 Bearing wheel
- 12 Trigger gun
- 13 Lock trigger gun
- 14 Clamp for high pressure hose
- 15 High pressure hose
- 16 Full Control spray lance Dirtblaster  
For strong contaminations.  
Pressure level: HARD
- 17 Full Control spray lance Click-Vario Power  
Carrying out the most common cleaning tasks.  
Pressure levels: HARD / MEDIUM / SOFT / MIX

### \* Optional

- 18 Washing brush  
Suitable for use with detergents.
- 19 Foam nozzle  
For effective detergent foam.
- 20 Detergent
- 21 Detergent suction hose (with sieve)

### \*\* Additionally required

- 22 Fabric-reinforced water hose with commercially available coupling.
  - Minimum diameter, 1/2 inches (13 mm).
  - Minimum length 7.5 m.

## Proper use

This high pressure cleaner is designed for domestic use only.

- for cleaning machines, vehicles, buildings, tools, facades, terraces, gardening tools, etc. by means of a high-pressure water jet (if necessary, with additional cleaning agents).
- with accessories, replacement parts and cleaning agents approved by KÄRCHER. Please observe the information accompanying the cleaning agents.

## Environmental protection

### Notes about the ingredients (REACH)

You will find current information about the ingredients at:

[www.kaercher.com/REACH](http://www.kaercher.com/REACH)



The packaging material can be recycled. Please arrange for the environmentally appropriate disposal of the packaging.



Old appliances contain valuable recyclable materials that should be recycled properly. Please arrange for the environmentally appropriate disposal of the old devices.

Electrical and electronic devices often contain components which could potentially pose a danger to human health and the environment if handled or disposed of incorrectly. However, these components are necessary for the proper operation of the device. Devices marked with this symbol must not be disposed of with regular household rubbish.



Cleaning operations which produce oily waste water, e.g. engine washes, underbody washes, may only be carried out using washing stations equipped with an oil separator.



Work with detergents must only be performed on liquid-tight work surfaces with a connection to the sewer system. Do not let release detergent into waters or earth.

## Installation and Startup

### Illustrations on Page 13

- Illustrations **A** - **C**  
Mount loose parts delivered with appliance prior to start-up.
- Park the appliance on an even surface.
- Illustrations **D** - **E**  
Pull out the clamp from the trigger gun and plug the high-pressure hose into the trigger gun.  
Push the clamp in until it locks. Check the secure connection by pulling on the high-pressure hose.
- Illustrations **F** - **H**

### ATTENTION

*Impurities in the water can damage the high-pressure pump and the accessories. For protection, the use of the KÄRCHER water filter (optional accessory, order no. 4.730-059) is recommended.*

## Operation

### ⚠ CAUTION

Dry running of more than 2 minutes leads to damage of the high-pressure pump. If the appliance does not build up pressure within 2 minutes, switch the appliance off and proceed in accordance with the instructions in Chapter "Troubleshooting".

### High pressure operation

### ⚠ CAUTION





Keep a distance of at least 30 cm when using the jet for cleaning painted surfaces to avoid damage.

### ATTENTION

Car tyres, paint or sensitive surfaces such as wood should not be cleaned with the dirt blaster, as there is a risk of damage.

→ Illustrations **I** - **J**

### Full Control System

Pressure level	For example, recommended for	
 <b>3</b> HARD	<b>HARD</b>	Stone terraces made of paving stones or exposed aggregate concrete, asphalt, metal surfaces, garden utensils (wheelbarrow, spade, etc.)
		Turn the Full Control spray lance Click-Vario Power as far as it will go for maximum possible pressure.
 <b>2</b> MEDIUM	<b>MEDIUM</b>	Motorcar / motorcycle, brick surfaces, plastered walls, plastic furniture
 <b>1</b> SOFT	<b>SOFT</b>	Wooden surfaces, bicycles, sand stone surfaces, rattan furniture
 <b>MIX</b>	<b>MIX</b>	Operation with detergent

### ATTENTION

The sensitivity of the materials can strongly differ depending on the age and the condition. The so-called recommendations are non-binding.

### Operation with detergent

**Note:** Detergent can only be added when the device is operated in low pressure mode.

### Optional

- Illustrations **K** - **L**
- Illustration **M**

### Recommended cleaning method

- Spray the detergent sparingly on the dry surface and allow it to react, but not to dry.
- Spray off loosened dirt with the high pressure jet.

### After operation with detergent

- After operation with detergent: Run the machine for approximately 1 minute for a clear rinse.

## Operation with washing brush

### ATTENTION

Risk of damage to the paintwork

When working with the washing brush, it must be free of dirt or other particles.

**Note:** If required, the washing brushes can be used to work with detergent.

### Interrupting operation

- Illustration **N**
- Release the lever of the trigger gun and lock it.
- During longer breaks (more than 5 minutes), also turn the appliance off using the "0/OFF" switch.

### Finish operation

### ⚠ CAUTION

Only separate the high-pressure hose from the trigger gun or the device when there is no pressure in the system.

- Release the lever of the trigger gun.
- Turn off the appliance "0/OFF".
- Disconnect the mains plug from the socket.
- Turn off tap.
- **Press the lever on the trigger gun to release any remaining pressure in the system.**
- Lock the lever of the trigger gun.
- Detach the appliance from the water supply.

## Transport and storage

### ⚠ CAUTION

Risk of personal injury or damage!

Mind the weight and storage of the appliance during transport.

### When transporting by hand

- Lift appliance by the carrying handle and carry it.
- Pull out the transport handle until it audibly snaps into place.
- Pull the appliance by its transport handle.

### When transporting in vehicles

- Secure the appliance against shifting and tipping over.

### Storing the Appliance

- Park the machine on an even surface.
- Stow away the accessories on the appliance according to the device.

Prior to extended storage periods, as during the winter, also observe the instructions in the Care section.

### Frost protection

### ATTENTION

Appliances and accessories that are not completely drained can be destroyed by frost. Completely drain appliance and accessories and protect them against frost.

To avoid damage:

- Completely drain all water from the appliance: Switch the appliance on with detached high pressure hose and detached water supply (max. 1 minute) and wait, until no more water exits at the high pressure connection. Turn off the appliance.
- Store the appliance and the entire accessories in a frost free room.

## Maintenance and care

The appliance is maintenance free.

### Care

#### **⚠ DANGER**

*Risk of electric shock.*


- Prior to all work on the appliance, switch off the appliance and pull the power plug.

### Clean the sieve in the water connection

Clean the sieve in the water connection regularly.

#### **ATTENTION**

*The sieve must not be damaged.*

- Remove coupling from the water connection. Illustration 
- Pull the sieve out (e.g. using flat pliers), clean under running water and then reinsert it.

## Troubleshooting

#### **⚠ DANGER**

*Risk of electric shock.*

- Prior to all work on the appliance, switch off the appliance and pull the power plug.

### Appliance is not running

- Push the lever of the trigger gun, the device will switch on.
- Check whether the voltage indicated on the type plate corresponds to the voltage of the mains supply.
- Check the mains connection cable for damages.

### Pressure does not build up in the appliance

- Check setting at the spray lance.
- Completely open the water tap.
- Remove air from appliance before operation. Switch on the appliance without connection the HP hose (max. 2 minutes) and run it until the water discharging from the HP outlet is free of bubbles. Switch off appliance and reconnect HP hose.
- Pull out the sieve in the water connection using flat-nose pliers and clean under running water.

### Strong pressure fluctuations

- Clean high-pressure nozzle: Remove dirt and debris from the nozzle bore, using a needle and rinse through with water from the front.
- Check water flow quantity.

### Appliance is leaking

- Slight leakage from the appliance pump is normal. If the leakage increases contact the authorized customer service.

### No detergent infeed

- Use Vario Power spray lance. Turn the spray lance to "Mix" position.
- Remove filter from suction hose for detergent and clean under running water.
- Check the detergent suction hose for kinks.

## Accessories and Spare Parts

Only use original accessories and spare parts, they ensure the safe and trouble-free operation of the device. For information about accessories and spare parts, please visit [www.kaercher.com](http://www.kaercher.com).

## Helpline

KÄRCHER UK Limited operates a helpline allowing customers to discuss any problems experienced with our products.

The helpline operates during normal business hours and may be busy at peak periods. If you have difficulty getting through we would ask that you try to contact us again later in the day.

**The helpline number is 01295 752200, open from 8.30 am to 5.00 pm Monday to Friday.**

It helps us if you have the model number and data plate details to hand before making your call so that we can assist you with your query more effectively.

**Alternatively you may write to us at the address below:**

KÄRCHER UK Ltd  
Kärcher House  
Beaumont Road  
Banbury  
Oxon, OX16 1TB

or E-mail us:

[info@kaercher.co.uk](mailto:info@kaercher.co.uk)

## Warranty

The warranty terms published by the relevant sales company are applicable in each country. We will repair potential failures of your appliance within the warranty period free of charge, provided that such failure is caused by faulty material or defects in manufacturing. In the event of a warranty claim please contact your dealer or the nearest authorized Customer Service centre. Please submit the proof of purchase.

Addresses can be found under:

[www.kaercher.com/dealersearch](http://www.kaercher.com/dealersearch)

## Technical specifications

### Electrical connection

Voltage 220-240 V  
1~50-60 Hz

Power consumption 6 A

Protection class IP X5

Protective class II 

Mains fuse (slow-blow) 13 A

### Water connection

Max. feed pressure 1,2 MPa

Max. feed temperature 40 °C

Min. feed volume 8 l/min

### Performance data

Working pressure 7,4 MPa

Max. permissible pressure 11 MPa

Water flow rate 5,5 l/min

Max. flow rate 6,0 l/min

Recoil force of trigger gun 11 N

### Dimensions and weights

Length 246 mm

Width 280 mm

Height 586 mm

Weight, ready to operate with accessories 5,1 kg

### Values determined as per EN 60335-2-79

Hand-arm vibration value <2,5 m/s<sup>2</sup>

Uncertainty K 0,3 m/s<sup>2</sup>

Sound pressure level L<sub>pA</sub> 75 dB(A)

Uncertainty K<sub>pA</sub> 3 dB(A)

Sound power level L<sub>WA</sub> + Uncertainty 90 dB(A)  
K<sub>WA</sub>

Subject to technical changes.

## EU Declaration of Conformity

We hereby declare that the machine described below complies with the relevant basic safety and health requirements of the EU Directives, both in its basic design and construction as well as in the version put into circulation by us. This declaration shall cease to be valid if the machine is modified without our prior approval.

**Product:** High pressure cleaner

**Type:** 1.673-xxx

### Relevant EU Directives

2000/14/EC

2014/30/EU

2006/42/EC (+2009/127/EC)

2011/65/EU

### Applied harmonized standards

EN 50581

EN 55014-1:2017

EN 55014-2: 2015

EN 60335-1

EN 60335-2-79

EN 61000-3-2: 2014

EN 61000-3-3: 2013

EN 62233: 2008

### Applied conformity evaluation method

2000/14/EC: Appendix V

### Sound power level dB(A)

Measured: 88

Guaranteed: 90

The signatories act on behalf of and with the authority of the company management.

  
H. Jenner

Chairman of the Board of Management

  
S. Reiser

Director Regulatory Affairs & Certification

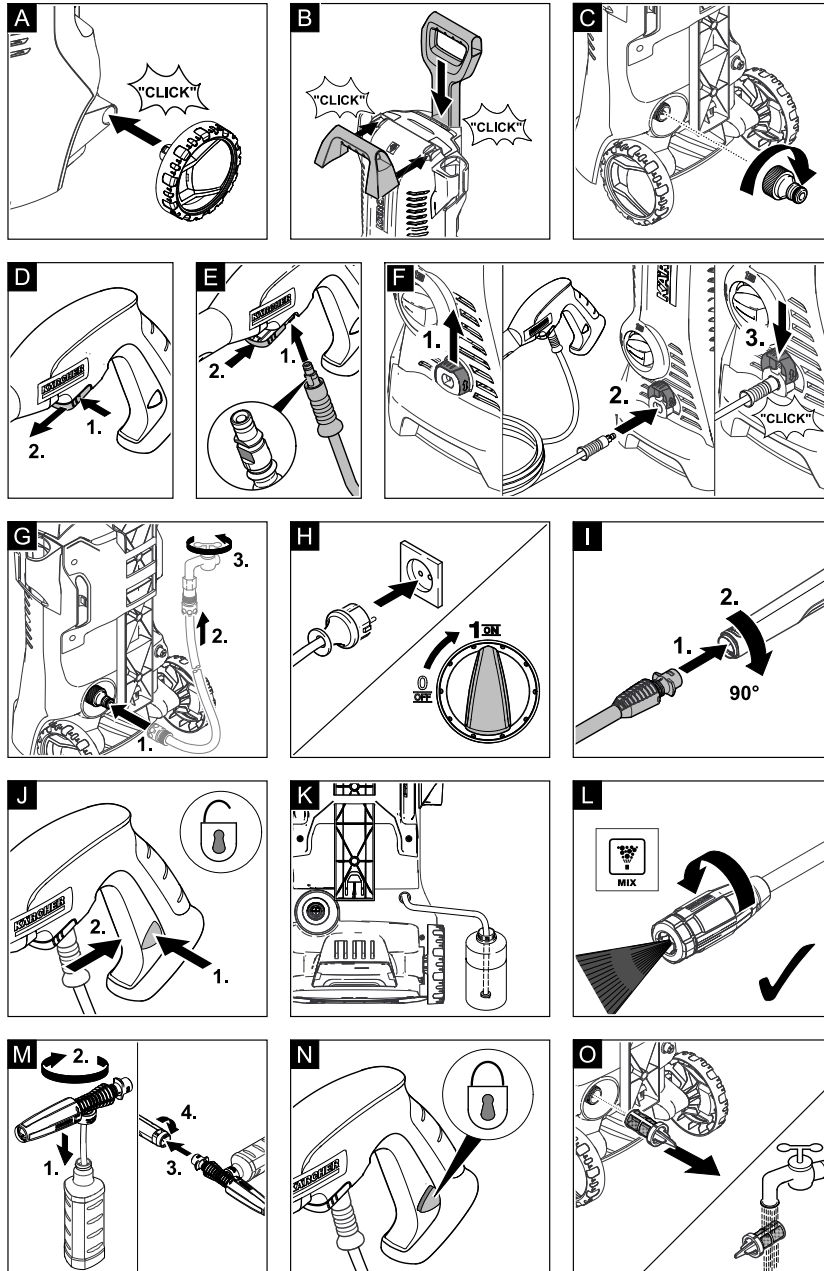
Documentation supervisor:

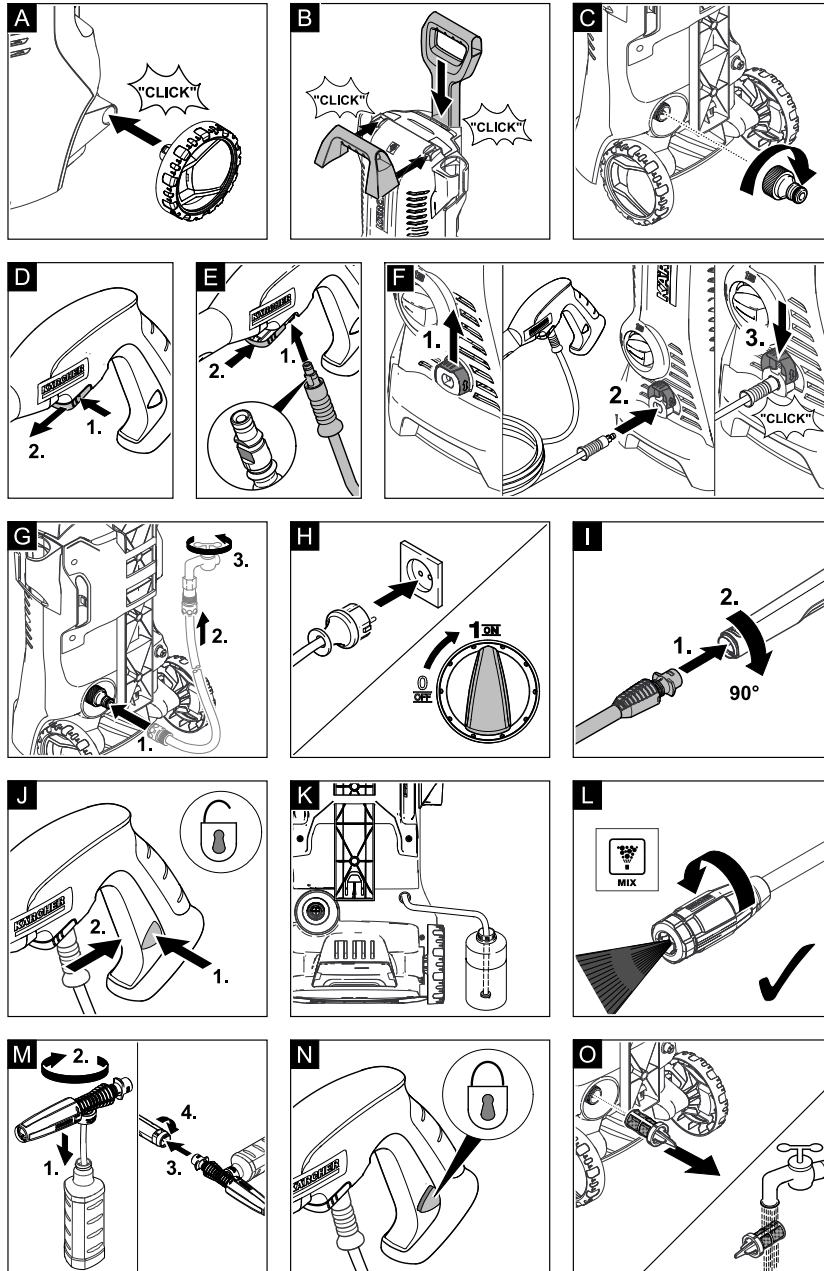
S. Reiser

Alfred Kärcher SE & Co. KG  
Alfred-Kärcher-Straße 28-40  
71364 Winnenden (Germany)  
Tel.: +49 7195 14-0  
Fax: +49 7195 14-2212

Winnenden, 2018/08/01

Illustration





---

---

---

---

---

---

---

---

---

---

---

---

---

---

---

---

---

---

---

---

---

---

---

---

البيانات الفنية	
<b>التوصيل الكهربائي</b>	
V 220-240	الجهد الكهربائي
Hz 1~50-60	
A 6	استهلاك التيار الكهربائي
IP X5	درجة الحماية
II	فئة الحماية
A 10	منصهرات التغذية الكهربائية الرئيسية (الوضع الساكن)
<b>وصلة المياه</b>	
MPa 1,2	ضغط التدفق (الحد الأقصى)
°C 40	درجة حرارة التدفق (الحد الأقصى)
l/min 8	كمية التدفق (الحد الأدنى)
<b>بيانات الأداء</b>	
MPa 7,4	ضغط العمل
MPa 11	أقصى ضغط مسموح به
l/min 5,5	كمية تدفق المياه
l/min 6,0	كمية تدفق (الحد الأقصى)
N 11	قوة ارتداد مسدس الرش اليدوي
<b>الأبعاد والأوزان</b>	
mm 246	الطول
mm 280	العرض
mm 586	الارتفاع
kg 5,1	الوزن والجهاز جاهز للعمل مع الملحقات التكميلية
<b>القيم المحسوبة وفقاً للمواصفة EN 60335-2-79</b>	
m/s <sup>2</sup> <2,5	قيمة اهتزاز ذراع اليد
m/s <sup>2</sup> 0,3	الشك K
dB(A) 75	مستوى ضغط الصوت L <sub>PA</sub>
dB(A) 3	الشك K <sub>PA</sub>
dB(A) 90	مستوى قدرة الصوت L <sub>WA</sub> +
	الشك K <sub>WA</sub>

المواصفات الفنية خاضعة للتعديل.

### تذبذب الضغط بقوة

- ← تنظيف منفذ الضغط العالي: يتم إزالة القاذورات من فتحة المنفذ باستخدام إبرة وتُغسل الفتحة بالماء بحيث يكون الغسل من الناحية الأمامية.
- ← يتم التحقق من كمية تدفق الماء.

### التسرب من الجهاز

- ← إن حدوث تسرب طفيف من الجهاز يعد أمراً حتمياً من الناحية الفنية. في حالة زيادة نسبة التسرب عن ذلك يلزم الرجوع إلى خدمة العملاء المعتمدة.

### لا يتم شطف مواد التنظيف.

- ← استخدم أنبوب الشعاع Vario Power. لف أنبوب الشعاع إلى الوضع „Mix“ (الحد الأقصى).
- ← اسحب الفلتر من خرطوم شطف مواد التنظيف ونظفه تحت الماء الجاري.
- ← يجب التحقق من مواضع التعقد والالتواء بخرطوم شطف مواد التنظيف.

### الملحقات وقطع الغيار

اقتصر على استخدام الملحقات التكميلية الأصلية وقطع الغيار الأصلية، والتي تضمن تشغيل الجهاز بشكل آمن وخالٍ من الاختلالات. تجد المعلومات الخاصة بالملحقات التكميلية وقطع الغيار عبر موقع الويب: [www.kaercher.com](http://www.kaercher.com).

### الضمان

في كل دولة تسري شروط الضمان التي تضعها شركة التسويق المختصة التابعة لنا. نحن نتولى تصليح الأعطال التي قد تطرأ على جهازك بدون مقابل خلال فترة الضمان طالما أن السبب في هذه الأعطال ناجم عن وجود عيب في المواد أو في الصنع. في حال استحقاق الضمان، يرجى التوجه بقسيمة الشراء إلى أقرب موزع أو مركز خدمة عملاء معتمد.

تجد العناوين من خلال:

[www.kaercher.com/dealersearch](http://www.kaercher.com/dealersearch)



## النقل والتخزين

### ⚠ تنويه

خطر التعرض للإصابة وللضرر!  
يرجى مراعاة وزن الجهاز عند النقل والتخزين.

### النقل اليدوي

- ← ارفع الجهاز من مقبض الحمل واحمله.
- ← اسحب مقبض النقل إلى أن يثبت بصوت مسموع.
- ← اسحب الجهاز عن طريق مقبض النقل.

### النقل في سيارات

- ← قم بتأمين الجهاز ضد الانزلاق والانقلاب.

### تخزين الجهاز

- ← قم بإيقاف الجهاز على أرضية مستوية.
- ← تخزين ملحقات الجهاز في التجهيزات المخصصة لذلك بالجهاز.
- ← قبل تخزين الجهاز لفترة طويلة، في الشتاء مثلاً، يجب أيضاً مراعاة الإرشادات الواردة في فصل العناية.

### الحماية من التجمد

### تنبيه

يمكن أن تلف الأجهزة والملحقات التي لم يتم تفرغها بشكل تام تحت تأثير التجمد. يتم تفرغ الجهاز والملحقات تماماً وحمايتهم من التجمد.

تفاديا لحدوث تلفيات:

- ← قم بتفريغ الجهاز دائماً من المياه: قم بتشغيل الجهاز بدون توصيل خرطوم الضغط العالي وبدون توصيل مصدر الإمداد بالماء (لمدة دقيقة بحد أقصى) ثم انتظر حتى يتوقف خروج الماء تماماً من وصلة الضغط العالي. قم بإيقاف تشغيل الجهاز.
- ← يتم حفظ الجهاز وملحقاته كاملة في مكان ضد التجمد.

## الصيانة والعناية

الجهاز لا يتطلب صيانة.

### العناية

### ⚠ خطر

خطر التعرض لصدمة كهربائية.  
← قبل إجراء أعمال بالجهاز يتم إيقاف تشغيله ويتم سحب القابض خارج المقبض.

### تنظيف المصفاة الموجودة في وصلة الماء

قم بتنظيف المصفاة الموجودة في وصلة الماء بصفة منتظمة.

### تنبيه

لا يجوز إتلاف المصفاة.

← إزالة القارئة من وصلة الماء.

### صورة 5

← سحب المصفاة (مثلاً باستخدام زردية مفلطحة)، وتنظيفها تحت الماء الجاري وبعد ذلك يتم إعادة تركيبها.

## المساعدة عند حدوث أعطال

### ⚠ خطر

خطر التعرض لصدمة كهربائية.  
← قبل إجراء أعمال بالجهاز يتم إيقاف تشغيله ويتم سحب القابض خارج المقبض.

### الجهاز لا يعمل

- ← اضغط ذراع مسدس الضغط العالي، فيتم تشغيل الجهاز.
- ← تحقق من تطابق الجهد المدون على لوحة الصنع مع جهد مصدر التيار.
- ← يجب التحقق من عدم وجود تلفيات بوصلة سلك التوصيل الرئيسي.

### الجهاز لا يصدر أي ضغط.

- ← يجب التحقق من ضبط أنبوب الشعاع.
- ← قم بفتح صنبور المياه باستمرار.
- ← قم بتفريغ الجهاز من الهواء قبل تشغيله.
- ← قم بتشغيل الجهاز بدون توصيل أنبوب الشعاع ثم اتركه يعمل (دقيقتين كحد أقصى)، حتى يخرج الماء من المسدس خالياً من الفقاعات الهوائية. قم بإيقاف الجهاز وتوصيل أنبوب الشعاع مرة أخرى.
- ← اسحب المصفاة الموجودة بوصلة الماء للخارج باستخدام زردية مفلطحة ونظفها بالماء الجاري

### التشغيل باستخدام مادة تنظيف

إرشاد: لا يمكن إضافة مواد التنظيف إلا في ضغط منخفض.

اختياري

← الصور K - L

← صورة M

طرق التنظيف الموصى بها

← يتم رش مواد التنظيف بحرص على الأسطح الجافة وتترك لتقوم بمفعولها (لبس لتجف).

← تُغسل الأوساخ المتفككة بشعاع الضغط العالي.

بعد التشغيل باستخدام مادة تنظيف

← بعد العمل باستخدام مواد التنظيف: قم بتشغيل الجهاز لمدة حوالي دقيقة لغسله.

### التشغيل باستخدام فرشاة الغسل

تنبيه

خطر حدوث أضرار بالطلاء

عند العمل باستخدام فرشاة الغسل يجب مراعاة أن تكون خالية من أي اتساخات أو أية جزيئات أخرى.

ملحوظة: يمكن أيضاً استخدام فرش غسل للعمل باستخدام مادة التنظيف، وذلك عند الحاجة.

### قطع التشغيل

← صورة N

تحرير ذراع مسدس الضغط العالي ثم إحكام ففله.

← ومع زيادة طول فترات توقف العمل (أكثر من 5 دقائق) يتم إيقاف تشغيل الجهاز من مفتاح الجهاز "OFF/0".

### إنهاء التشغيل

⚠ تنويه

في حالة عدم توفر الضغط بالنظام، يتم فصل خرطوم الضغط العالي من مسدس الضغط العالي أو من الجهاز فقط.

← يتم ترك ذراع مسدس الضغط العالي في الوضع الحر.

← قم بإيقاف تشغيل الجهاز بالضغط على "OFF/0".

← اسحب قابس الشبكة من مقبس التوصيل.

← أغلق صنبور المياه

← الضغط على ذراع مسدس الضغط العالي

للتخلص من الضغط المتبقي في النظام.

← أحكم إغلاق ذراع مسدس الضغط العالي.

← افصل الجهاز عن مصدر الإمداد بالمياه.

### نظام التحكم الكامل

مستوى الضغط	يوصى به لـ
<b>3</b> HARD 	على سبيل المثال، الشرفات الحجرية المصنوعة من حجارة الرصف أو الخرسانة المغسولة والأسفلت والأسطح المعدنية وأدوات الحدائق (عربة اليد، المحرفة، الخ)
	للوصول إلى أعلى ضغط ممكن، ينبغي إدارة التحكم الكامل بأنبوب الشعاع Click-Vario Power إلى النهاية.
<b>2</b> MEDIUM 	سيارة ملاكي / الدراجة النارية وأسطح القرميد والجدران المخصصة والأثاث المصنوع من البلاستيك
<b>1</b> SOFT 	الأسطح الخشبية والدراجات وأسطح الحجر الرملي والأثاث المصنوع من الخيزران
<b>MIX</b> 	التشغيل باستخدام مادة تنظيف

تنبيه

حساسية المواد قد تختلف اختلافاً كبيراً تبعاً للعمر والحالة. علماً بأن التوصيات المذكورة غير ملزمة.

## الاستخدام المطابق للتعليمات

لا يُستخدم منظف الضغط العالي هذا إلا للأعمال المنزلية الخاصة فقط.

- لتنظيف الأجهزة والسيارات والمباني والعدد والواجهات والشرفات ومعدات الحدائق وغيرها وذلك باستخدام شعاع ماء بالضغط العالي (إذا لزم الأمر تُضاف مواد تنظيف).
- مع الملحقات وقطع الغيار ومواد التنظيف المصرح بها من قبل شركة KARCHER. يجب الالتزام بالإرشادات المرفقة مع مواد التنظيف.

## حماية البيئة

### إرشادات حول المكونات (REACH)

تجد المعلومات الحالية حول المكونات في موقع الإنترنت:

[www.kaercher.com/REACH](http://www.kaercher.com/REACH)

المواد المستخدمة في التغليف قابلة لإعادة التصنيع. قم بالتخلص من الغلاف بما يطابق شروط الحفاظ على البيئة.

تشتمل الأجهزة القديمة العديد من الأجزاء القابلة للتصنيع مرة أخرى والتي ينبغي الاستفادة منها مرة أخرى. من فضلك تخلص من الجهاز بطريق لا تضر البيئة.

غالبًا ما تشتمل الأجهزة الكهربائية والإلكترونية على مكونات قد تشكل خطورة على صحة الإنسان والبيئة في حالة التعامل معها أو التخلص منها بصورة خاطئة. غير أن هذه المكونات ضرورية لتشغيل الجهاز بشكل سليم. ولذلك لا يجوز التخلص من الأجهزة المميزة بهذا الرمز ضمن المهملات المنزلية.

لا يُسمح بإجراء أعمال النظافة التي يتخلف عنها مياه صرف محتوية على زيوت مثل غسل المحرك والهيكل السفلي للسيارة إلا في أماكن الغسل المزودة بمصفاة زيت.

لا يجوز إجراء الأعمال التي يُستخدم فيها المنظفات إلا في الأماكن المحكمة ضد التسريب والمزودة بوصلة لشبكة الصرف الصحي. لا تدع المنظفات تترسب إلى المياه أو إلى التربة.

## التركيب وبدء التشغيل

الرسوم في الصفحة 11

← الصور A - C

قبل بدء التشغيل يتم تثبيت الأجزاء المفكوكة المرفقة مع الجهاز.  
← وضع الجهاز على أرضية مستوية.

← الصور D - E

سحب مشبك التثبيت من مسدس الضغط العالي وإدخال خرطوم الضغط العالي في مسدس الضغط العالي.  
اضغط المشبك إلى الداخل إلى أن يثبت. افحص التوصيل الآمن من خلال جذب خرطوم الضغط العالي.

← الصور F - H

تنبيه

قد تضر الملوثات الموجودة في المياه بمضخة الضغط العالي والملحقات. وللوقاية منها يُنصح باستخدام مرشح مياه KARCHER (ملحق خاص، رقم الطلب 4.730-059).

## التشغيل

△ تنويه

تؤدي دورة التجفيف التي تزيد على دقيقتين إلى حدوث أضرار بمضخة الضغط العالي. إذا لم يتمكن الجهاز من إنشاء أي ضغط في غضون دقيقتين، فقم بإيقاف الجهاز والتصرف حسب الإرشادات الواردة في فصل «المساعدة في حالة حدوث اختلالات».

## التشغيل بالضغط العالي

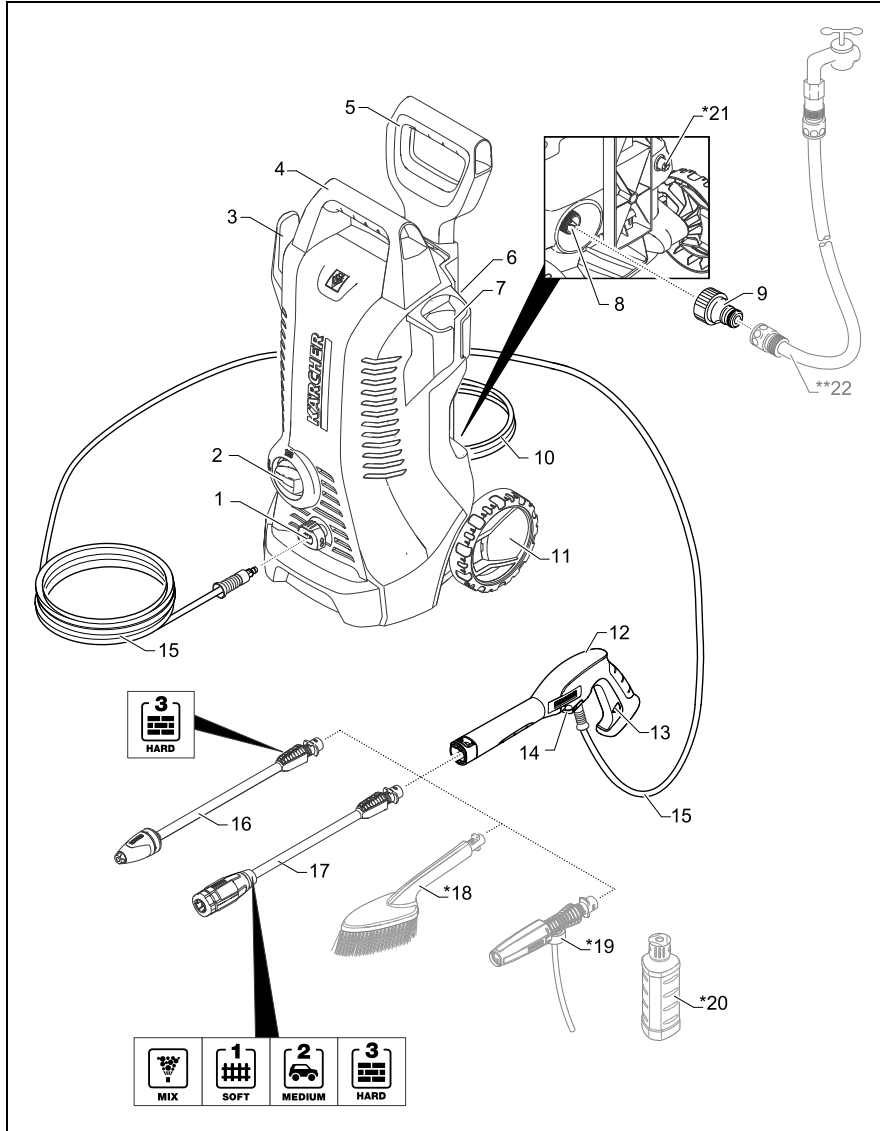
△ تنويه

عند تنظيف الأسطح المطلية يجب ألا تقل المسافة بينها وبين الشعاع عن 30 سم تفادياً لحدوث تلفيات.

تنبيه

لا تقم بتنظيف إطارات السيارة أو الطلاء أو الأسطح الحساسة مثل الخشب باستخدام أداة طحن الاتساخت، خطر التعرض للضرر.

← الصور I - J



\* يوجد على العلبة صورة لمشمطات الجهاز (تبعاً للطراز). يصف دليل التشغيل هذا جميع الخيارات الممكنة.

## وصف الجهاز

يوجد على العلبة صورة لمشتملات الجهاز (تبعاً للطران). بصف دليل التشغيل هذا جميع الخيارات الممكنة.

- 1 وصلة الضغط العالي
- 2 مفتاح الجهاز "تشغيل/ إيقاف"
- 3 خطافات الحفظ
- 4 مقبض
- 5 مقبض للنقل، قابل للفك
- 6 مكان حفظ الأنابيب النفاث
- 7 تخزين مسدس الضغط العالي
- 8 وصلة ماء مزودة بمصفاة مركبة
- 9 قارئة لوصلة الماء
- 10 وصلة سلك التوصيل الرئيسي والقباس الكهربائي
- 11 عجلة نقل
- 12 مسدس الضغط العالي
- 13 صمام غلق مسدس الضغط العالي
- 14 مشبك لخرطوم الضغط العالي
- 15 خرطوم الضغط العالي
- 16 التحكم الكامل بأنبوب شعاع مزيل القاذورات بالنسبة للاتساخات العنيدة
- مستوى الضغط: خشن
- 17 التحكم الكامل بأنبوب الشعاع Click-Vario Power
- يستخدم للقيام بمهام التنظيف الاعتيادية
- مستويات الضغط: خشن / متوسط / ناعم / خليط

### \* اختياري

- 18 فرشاة الغسل
- صالحة للعمل باستخدام مواد التنظيف.
- 19 فوهة الرغوة
- لرغوة مواد التنظيف القوية.
- 20 مواد التنظيف
- 21 خرطوم شطف مادة التنظيف (مزود بفلتر)
- \*\* ويلزم بالإضافة إلى ذلك
- 22 خرطوم المياه المقوى النسيج المزود بقارئة متداولة.
- القطر لا يقل عن 1/2 بوصة (13 ملم).
- الطول لا يقل عن 7.5 متر.

## إرشادات السلامة

### ⚠ تنويه

تعمل تجهيزات الأمان على حماية المستخدم وغير مسموح بإدخال تعديلات عليها أو الاستغناء عن وظائفها.

### مفتاح تشغيل الجهاز

يعمل مفتاح تشغيل الجهاز على الحيلولة دون التشغيل غير المتعمد للجهاز.

### صمام غلق مسدس الرش اليدوي

يقوم صمام الغلق بحجز ذراع مسدس الرش اليدوي ويحول دون بدء تشغيل الجهاز بشكل غير متعمد.

### صمام التيار الزائد المزود بمفتاح الضغط

في حالة تحرير الذراع بمسدس الرش اليدوي، يقوم مفتاح الضغط بإغلاق المضخة التي تعمل على إيقاف شعاع الضغط العالي. وعند سحب الذراع، تعمل المضخة مرة أخرى.

### الرموز الموجودة على الجهاز

يجب عدم توجيه شعاع الضغط العالي على الأشخاص أو الحيوانات أو الأجهزة الكهربائية المفعلة أو حتى على الجهاز نفسه.

احرص على حماية الجهاز من التجمد. لا يجب أن يتم توصيل الجهاز بشبكة مياه الشرب العمومية بشكل مباشر.



### معدات الحماية الشخصية

### ⚠ تنويه

- يتم ارتداء ملابس ونظارات واقية مناسبة للحماية من المياه والقاذورات التي تترد متناثرة.
- يمكن أن ينشأ الغبار أثناء استخدام جهاز التنظيف ذي الضغط العالي. وقد يتسبب استنشاق الغبار في حدوث أضرار صحية لاحقاً.
- وفقاً للاستخدام يمكن استخدام المنفتحات المحمية بشكل كامل (كمنظفات الأسطح على سبيل المثال) للتنظيف بالضغط العالي والتي تقل بشكل واضح انبعاثات الهباء الجوي المعبأ بالماء.
- واستخدام تجهيزة الحماية هذه غير ممكن في جميع الاستخدامات.
- وفي حالة ما لم يكن استخدام المنفتح المحمي بشكل كامل ممكناً ينبغي استخدام قناع تنفس واق من الفئة (FFP 2) أو ما يماثلها وفقاً للبيئة المراد تنظيفها.

## مخاطر أخرى

- ⚠ **خطر**
- يحظر نهائيًا تشغيل الجهاز في الأماكن القابلة للانفجار.
- لا يتم الرش لتنظيف الأشياء التي تحتوي على مواد تمثل خطورة على الصحة (مثل الأسبستوس).
- لا تستخدم سوائل قابلة للاشتعال في عملية الرش.
- لا يتم نهائيًا شطف سوائل تحتوي على مواد مذيبة أو أحماض غير مخففة! ومنها على سبيل المثال البنزين أو مخففات الألوان أو الزيوت الساخنة.
- يعد ضباب الرشاش مادة ذات قابلية عالية للاشتعال ومتفجرة وسامة. لا يتم استعمال الأسيتون والأحماض غير المخففة والمواد المذيبة لأنها تضر الخامات المستخدمة في صنع الجهاز.
- احفظ رقائق التغليف بعيدًا عن متناول الأطفال، خطر الاختناق!
- ⚠ **تحذير**
- وفقًا للقواعد السارية يحظر تشغيل الجهاز مطلقًا بدون وجود فاصل النظام بشبكة مياه الشرب. تأكد من أن وصلة مرفق المياه الخاص بمنزلك والذي يتم تشغيل منطف الضغط العالي عليها مجهزة بفاصل نظام وفقًا للمعايير الأوروبية (EN 12729 Typ BA).
- المياه التي تتسبب عن طريق فاصل النظام لا تعد مياه صالحة للشرب.
- خراطيم الضغط العالي والتركيبات والفارنات ضرورية لأمان الجهاز. يقتصر الاستخدام على خراطيم الضغط العالي والتركيبات والفارنات التي تتصح بها الشركة المنتجة.
- عند فصل خرطوم التغذية أو خرطوم الضغط العالي قد يخرج ماء ساخن من الوصلات بعد التشغيل.
- ⚠ **تنويه**
- احرص على مراعاة وزن الجهاز (انظر البيانات التقنية) لتجنب وقوع حوادث أو إصابات عند اختيار مكان التخزين.
- يمكن في حالات نادرة أن يؤدي استخدام الجهاز لساعات وبشكل متواصل إلى حدوث تخرر في اليدين.
- ← يرجى ارتداء القفازات.
- ← وإبقاء الأيدي دافئة.
- ← وأخذ فترات راحة منتظمة.

وتتضح أول علامة على حدوث ذلك في تغيير لون الإطارات. وتشكل إطارات السيارات وصمامات الإطارات التالفة خطورة على حياة الأفراد. يراعى عند التنظيف ألا تقل المسافة بين الشعاع والجسم الذي يتم تنظيفه عن 30 سم!

## ⚠ تحذير

- لا يستخدم الجهاز عند تواجد أشخاص آخرين في نطاق العمل إلا مع ارتدائهم لملابس واقية.
- غير مسموح بتشغيل الجهاز من قبل الأطفال أو غير المدربين.
- هذا الجهاز غير مخصص للاستخدام من قبل الأشخاص محدودي القدرات البدنية أو الحسية أو العقلية أو من لا تتوافر لديهم الخبرة أو المعرفة إلا إذا تم الإشراف عليهم من قبل شخص مختص بأمنهم وسلامتهم أو بعد حصولهم على تعليمات من هذا الشخص بشأن كيفية استخدام هذا الجهاز والأخطار الناشئة عن ذلك.
- لا يسمح للأطفال بالعبث بالجهاز.
- ينبغي مراقبة الأطفال لضمان عدم تلاعبهم بالجهاز.

## ⚠ تنويه

- قبل إجراء أية أعمال على الجهاز أو باستخدامه احرص على توفير الثبات للجهاز للحيولة دون تعرضه للحوادث أو الإصابات.
- وتأثير شعاع الماء الخارج بمنفت الضغط العالي تؤثر قوة ارتدادية على مسدس الرش اليدوي. يجب العناية بتوفير وقوف آمن واحكام تثبيت مسدس الرش اليدوي وأنبوب الشعاع.
- يجب عليك دائمًا مراقبة الجهاز طالما كان الجهاز قيد التشغيل.

## تنبيه

- في حالة توقف التشغيل لفترات طويلة احرص على إيقاف الجهاز عن طريق المفتاح الرئيسي / مفتاح الأجهزة و قم بخلع قابس التيار من الشبكة الكهربائية.
- لا يجب تشغيل الجهاز في درجات حرارة تحت الصفر.

## استخدام مواد التنظيف

### ⚠ تحذير

- لقد تم تطوير هذا الجهاز لاستخدام مواد التنظيف التي تنتجها الشركة المنتجة أو تتصح باستخدامها. كما أن استخدام أنواع أخرى من مواد التنظيف أو الكيماويات قد يضر بسلامة الجهاز.
- الاستخدام الخاطى لمواد التنظيف يمكن أن يؤدي إلى حدوث إصابات بالغة أو حالات تسمم.
- يجب حفظ مادة التنظيف بعيدًا عن متناول الأطفال.

## إرشادات السلامة

يرجى قراءة دليل التشغيل الأصلي هذا قبل أول استخدام لجهازكم، ثم التعامل مع الجهاز وفقاً للتعليمات الواردة بهذا الدليل. كما يرجى الاحتفاظ بدليل التشغيل لأي استخدامات أخرى فيما بعد أو في حالة تسليم الجهاز لمستخدمين آخرين.

علاوة على الإرشادات الواردة في دليل التشغيل هذا يجب عليك مراعاة القواعد العامة للسلامة والوقاية من الحوادث والتي يحددها المشرع.

مرفق مع الجهاز توضيح لعلامات التحذير وعلامات الإرشاد والتي تعطى إرشادات مهمة للوصول إلى تشغيل بدون أخطار.

### درجات الخطر

**⚠️ خطر**  
الانتباه إلى المخاطر المباشرة وشبكة الحدوث التي قد تؤدي إلى إصابات جسدية بالغة أو تسبب في الوفاة.

**⚠️ تحذير**  
الانتباه إلى مواقف قد تحفها المخاطر وقد تؤدي إلى إصابات جسدية بالغة أو تسبب في الوفاة.

**⚠️ تنبيه**  
الانتباه إلى الموقف الخطير المحتمل والذي قد يؤدي إلى إصابات بسيطة.

**⚠️ تنبيه**  
الانتباه إلى الموقف الخطير المحتمل والذي قد يؤدي إلى أضرار مادية.

### المكونات الكهربائية

**⚠️ خطر**  
خطر التعرض لصدمة كهربائية.

- يجب ألا يتم الإمساك بقابس الشبكة والمقبس بأيدي مبتلة بالماء نهائياً.
- يجب التحقق من عدم وجود تلفيات بوصلة سلك التوصيل الرئيسي وقابس الوصل الموجود به وذلك قبل التشغيل في كل مرة. احرص فوراً على استبدال وصلة سلك التوصيل الرئيسي التالفة عن طريق خدمة العملاء المعتمدة/ فني كهربائي مختص. لا تقم بتشغيل الجهاز بواسطة سلك توصيل رئيسي تالف.
- يجب حماية جميع الأجزاء التي يمر بها التيار في نطاق العمل من شعاع الماء.
- يجب أن يكون كل من قابس الوصل وقارنات سلك التمديد مقاوم للماء كما يجب ألا يوضع في الماء يجب ألا تكون القارنات على الأرض. يفضل استخدام الطنابير الكابلية، والتي تضمن عدم تواجدها المقابس على ارتفاع يقل عن 60 مم من سطح الأرض.

- يرجى ألا تتعرض وصلة سلك التوصيل الرئيسي أو سلك التمديد للضرر أو التلف نتيجة للمرور فوقها أو تعرضها للالتواء والتثني أو التمزق والتعقد وما شابه ذلك. يجب حماية وصلات الشبكة من السخونة والزيت والحواف الحادة.
- قبل القيام بجميع أعمال العناية والصيانة يجب إيقاف الجهاز وسحب قابس الشبكة.
- غير مسموح بإجراء الإصلاحات والعمل بالمكونات الكهربائية بالجهاز إلا لخدمة العملاء المعتمدة.
- ⚠️ **تحذير**  
غير مسموح بتوصيل الجهاز بأي دائرة كهربائية سوى تلك التي يقوم بتركيبها كهربائي مختص ويكون ذلك وفقاً للمعيار IEC 60364.
- لا يتم توصيل الجهاز إلا بتيار متردد فقط. يجب أن يتطابق الجهد مع ما هو مدون على لوحة صنع الجهاز.
- لأسباب أمنية ننصح بشكل أساسي بتشغيل الجهاز عبر مفتاح قطع الدائرة الكهربائية لتيار الخلل (بحد أقصى 30 مللي أمبير).
- من الممكن أن تشكل أسلاك التمديد الكهربائية غير الملائمة خطورة. في المناطق المفتوحة لا تستخدم إلا أسلاك التمديد الملائمة والمسموح بها لهذا الغرض على أن يكون المقطع العرضي للسلك كالتالي:  
1 - 10 m: 1,5 mm<sup>2</sup>; 10 - 30 m: 2,5 mm<sup>2</sup>
- يُفك دائماً سلك التمديد من بكرة الكابل بالكامل.

### التعامل الآمن

- ⚠️ **خطر**  
يجب على المستخدم استعمال الجهاز وفقاً للتعليمات. وأن يأخذ في اعتباره الظروف المكانية المحيطة ويحرص على سلامة الأشخاص المتواجدين في المكان عند العمل باستخدام الجهاز.
- تحقق دائماً وقبل كل استخدام من المكونات الهامة، مثل خرطوم الضغط العالي، ومسدس الرش اليدوي وتجهيزات الأمان. يتم استبدال المكونات التالفة على الفور. لا تقم بتشغيل الجهاز بواسطة مكونات تالفة.
- أشعة الضغط العالي قد تكون خطيرة في حالة استخدامها بشكل خاطئ أو غير ملائم. يجب عدم توجيه الشعاع على الأشخاص أو الحيوانات أو الأجهزة الكهربائية الشحنة أو حتى على الجهاز نفسه.
- لا توجه شعاع الضغط العالي على نفسك أو الآخرين بهدف تنظيف الملابس أو الأحذية.
- قد تتعرض إطارات السيارات/صمامات الإطارات للتلف والانفجار من تأثير شعاع الضغط العالي.



<http://www.kaercher.com/service>

