



EchoTile Barcode Installation Guide

What's included in a box:

- 12 Barcode Tiles
- 1 bag of 70 adhesive tabs

Tools needed (not included):

- Level
- Measuring Tape
- Pencil

Notes: Adhesive tabs may pull finish or paint off of the wall when removed. It is not recommended to use adhesive tabs on wood, brick, or other textured surfaces. Construction adhesive is recommended for installation on textured surfaces, ceilings, and high traffic areas. Adhesive tabs are not reusable. If a tile was placed incorrectly, re-apply the tile to the surface using a new set of adhesive tabs.

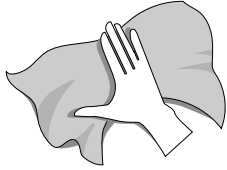
Tiles are cut on a grain and can reflect light differently, looking slightly lighter or darker depending on placement. When applying the tiles, ensure the color of the tiles complements your light source. Rotate the tile if color varies from the adjacent tile.

Installation

Barcode Tiles require (5) 1"x1" adhesive tabs per tile for proper mounting and installation. Easy peel tabs have the same amount of adhesive on each side and will adhere to painted surfaces, dry wall, or smooth cement. Order extra adhesive tabs at www.store.kireiusa.com.

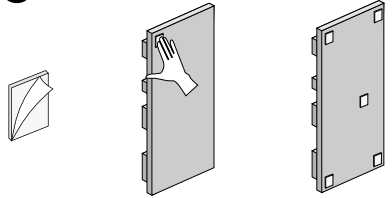
How to apply easy peel adhesive tabs:

1



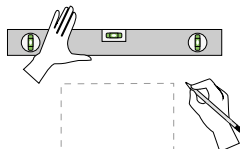
Clean the wall surface of application by wiping with a damp cloth or wet rag. Do not apply tiles to the surface until it is completely dry.

2



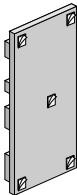
Peel off one side of the adhesive tab. Place tab on tile and press firmly for 20 seconds. Repeat this step for all designated tab placements, as shown on the tile above.

3



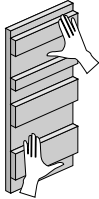
Use a level to align the first tile, and mark the wall.

4



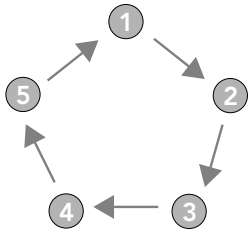
Peel off the other side of the adhesive tabs.

5



Press the tile firmly to the wall surface for 20 seconds. It is very important that the first tile is placed correctly.

6



Repeat steps 1-5 for all tiles. Ensure that each tile properly aligns with previous tiles.