

In Common With

Arundel Floor Lamp
Technical Specifications





Arundel Floor Lamp

Technical Specifications

Materials	Steel
Product weight	18.25 lbs
Lead time	3 days
Bulbs included (2)	E12 / 120V / 4.0 W / 220 lm 2000 K - 2800 K / warm on dim
Dimmer	Integrated dimmer switch
Cord length	10 feet
Max wattage	20 W
Certifications	UL listed

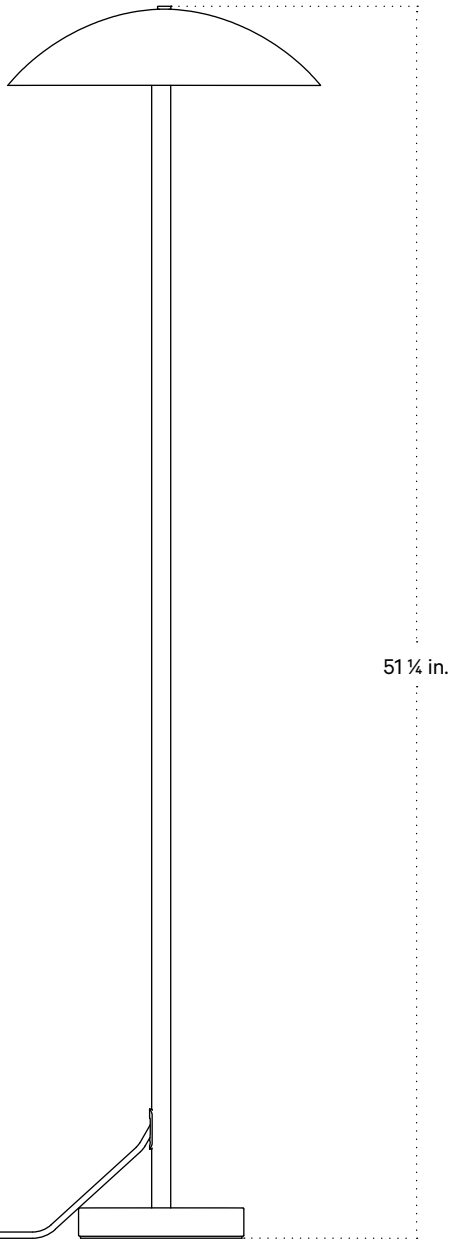


Notes

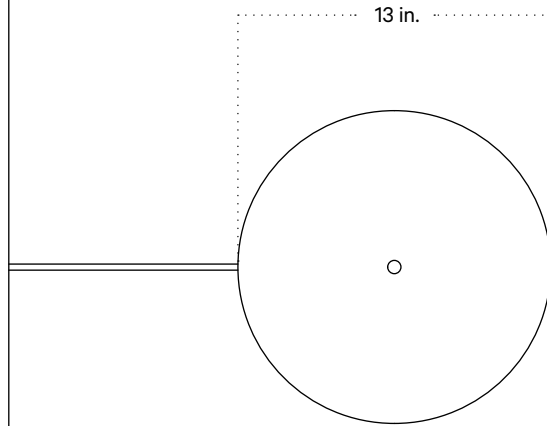
1. This floor lamp has a metal inline dimmer switch that matches the color of the base. The dimmer switch is located 2 feet from the base of the fixture on a 10-foot black cord; length and color are not customizable.

Updated February 27, 2023

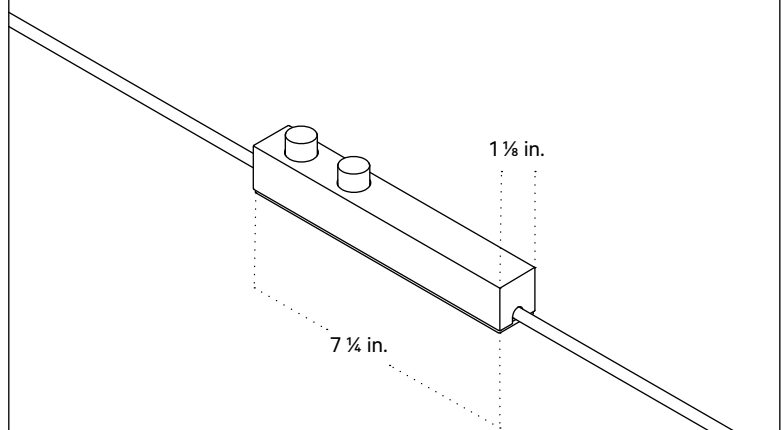
Side View



Top View



Inline Dimmer Switch Detail



Finish Options

Brass, glass, and ceramic samples made or finished by hand may exhibit variability. Available for purchase at incommonwith.com/finishes.

Painted Metal



Black



Bone



Oxide Red



Reed Green



Peach