

In Common With

Tipi Table Lamp
Technical Specifications





Tipi Table Lamp

Technical Specifications

| | |
|--------------------|--|
| Materials | Steel |
| Product weight | 5.5 lbs |
| Lead time | 3 days |
| Bulbs included (2) | E12 / 120V / 4.0 W / 220 lm 2200 K - 3000 K / warm on dim |
| Dimmer | Integrated dimmer switch |
| Cord length | 10 feet |
| Max wattage | 20 W |
| Certifications | UL listed, damp-rated |

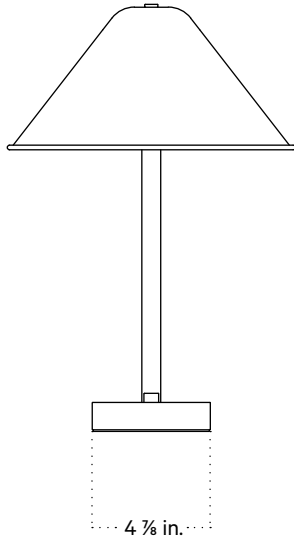


Notes

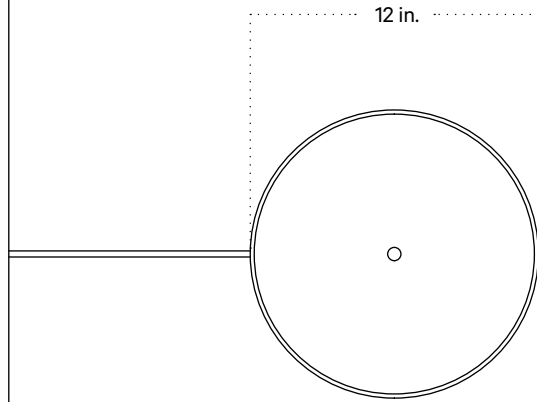
1. A rotary dimmer switch is located on the base of the fixture.
2. This table lamp comes with a 10-foot black cord; length is not customizable.
3. This fixture is available as a plug-in, hardwired with a switch, or hardwired without a switch.

Updated November 15, 2023

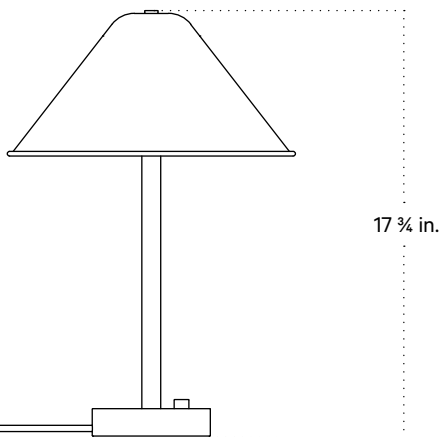
Front View



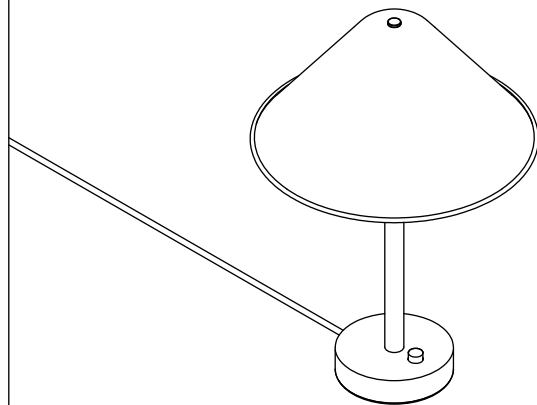
Top View



Side View



Isometric View



Finish Options

Brass, glass, and ceramic samples made or finished by hand may exhibit variability. Available for purchase at incommonwith.com/finishes.

Painted Metal



Black



Bone



Oxide Red



Reed Green



Peach