

How to Install Your New Light

Please check that you received all of the components pictured in this guide. Reach out to us if anything is missing. It's very rare, but it happens. Don't forget to turn off the electrical power source.

Tools you will need that aren't included: wall anchors, tools to secure fixture in place.

CAUTION

As a safety feature, this lamp has a polarized plug to reduce the risk of electric shock. This means it has two flat prongs and a third circular prong underneath, and it will fit in an outlet one way only. If the plug does not fit fully and easily into the outlet, do not force it; contact a qualified electrician.

ATTENTION

Par mesure de sécurité, cette lampe a une fiche polarisée pour réduire le risque de choc électrique. Cela signifie qu'il a deux broches plates et une troisième broche circulaire en dessous, et qu'il ne s'insère dans une prise que dans un seul sens. Si la fiche ne s'insère pas complètement et facilement dans la prise, ne la forcez pas; contactez un électricien qualifié.

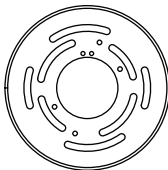
Contents



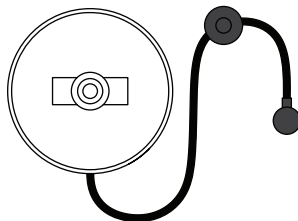
Part A
Thumb Screws (x3)



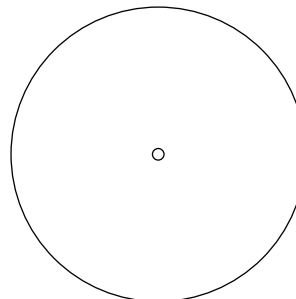
Part B
Type A Cap



Part C
Backplate



Part D
Canopy Cover



Part E
Arundel Shade - Type B

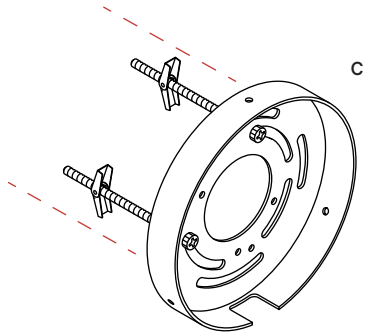


Part F
Stem - 1 In

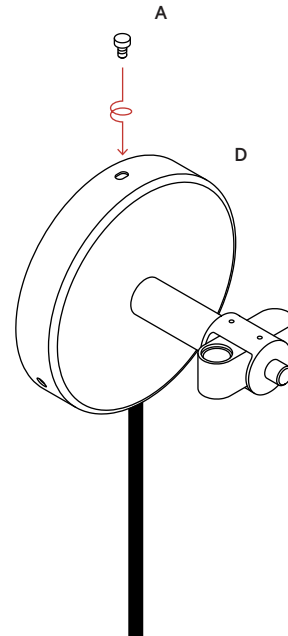


Part G
E12 LED Bulb

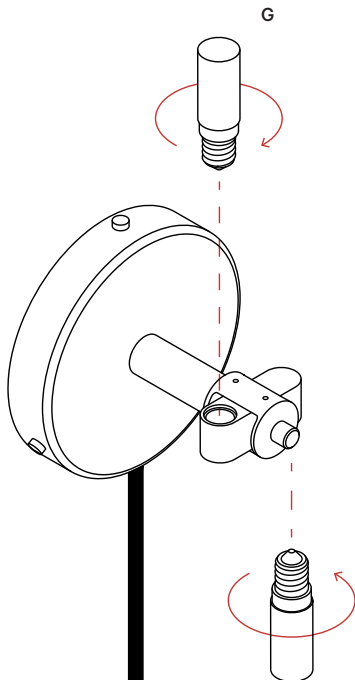
Step 1: Mount the canopy backplate (C) to the wall. Secure with anchors appropriate for your wall material (not provided). Consult a qualified professional if needed.



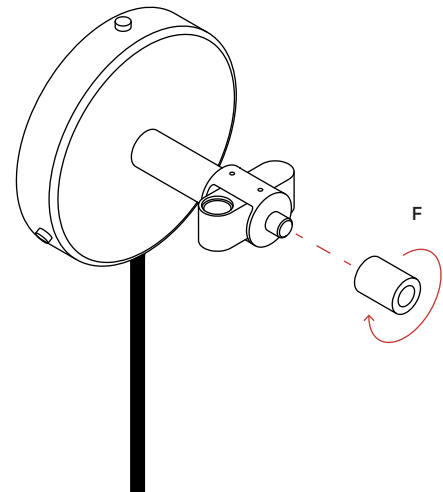
Step 2: Align the holes of the backplate (C) with the holes of the canopy cover (D). Secure them in place by twisting the thumbscrews (A) by hand.



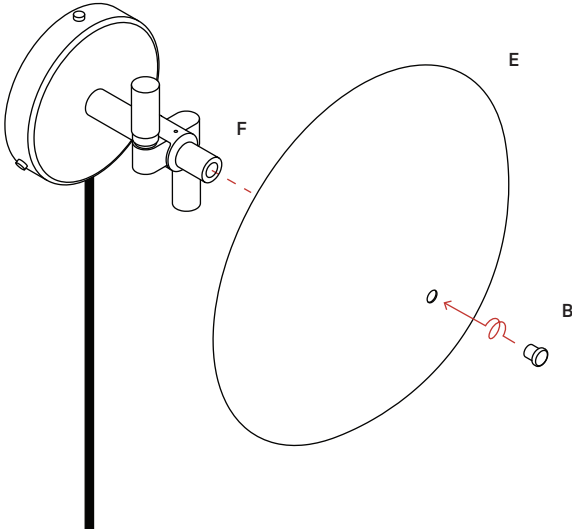
Step 3: Using your fingers, gently screw in the two included lightbulbs (G) into the fixture sockets on opposite sides of the surface mount fixture.



Step 4: Attach the stem (F) to surface mount fixture by rotating clockwise until the component is fixed in place.



Step 5: Attach the shade (E) to surface mount assembly by rotating the cap (E) clockwise into the stem (F) until the components are fixed in place. Turn the power back on at the main fuse box or circuit panel you disabled before installation.



Step 6: Plug in the fixture and turn on the light.

