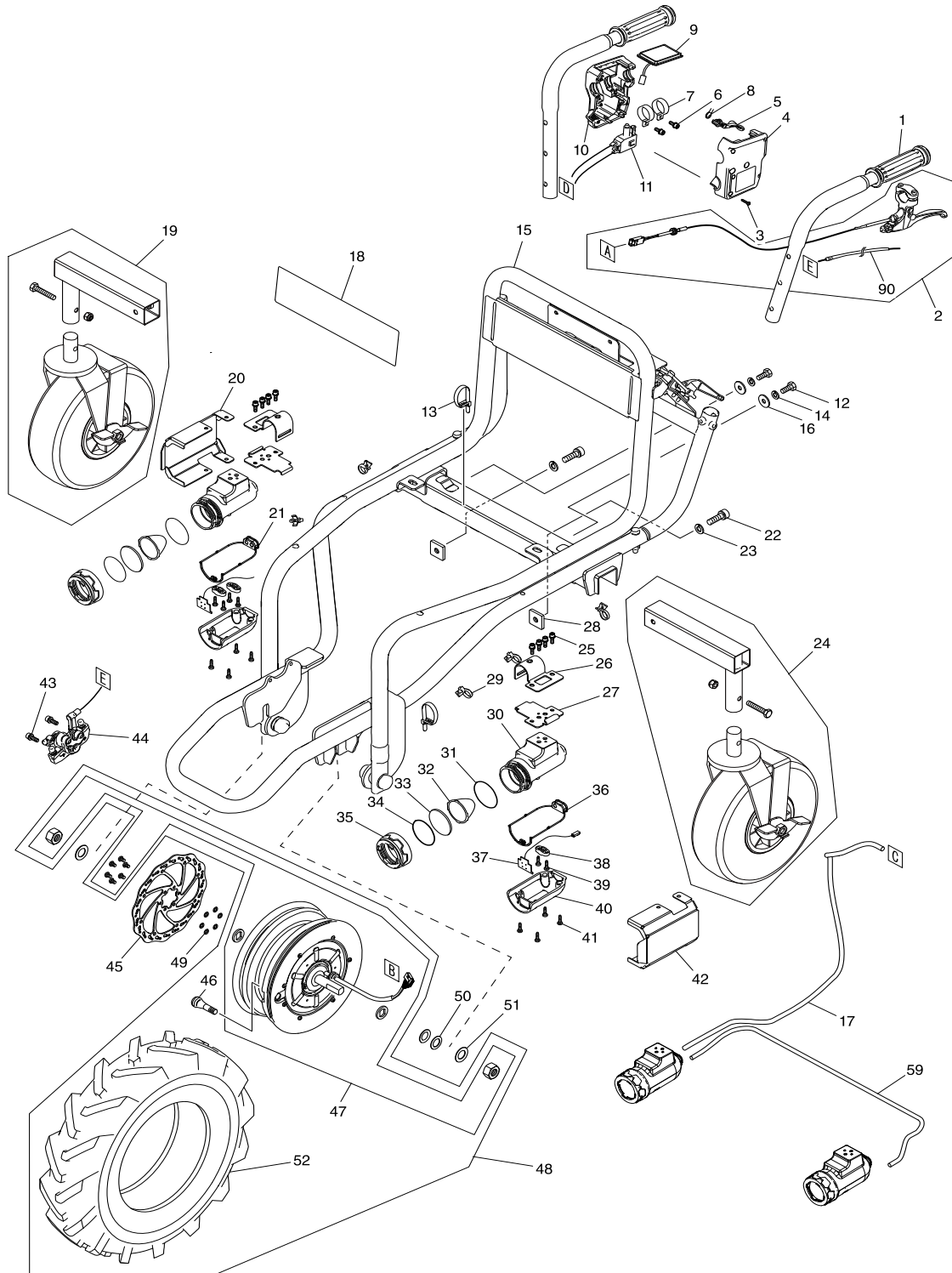




XUC01

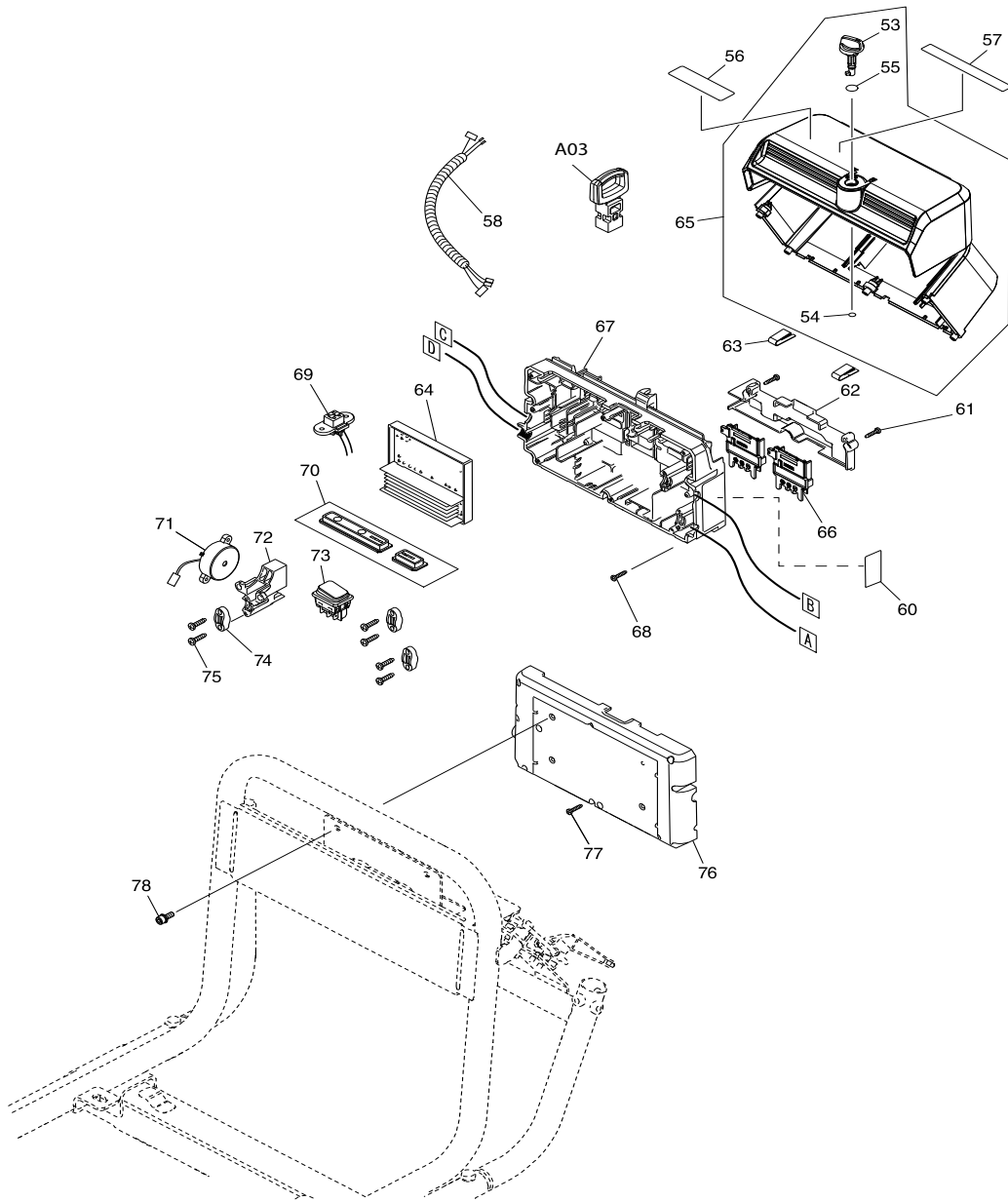


Products with multiple versions are listed in subsiding order with the newest version on top not indented.

Section	Fig. No.	Part No.	Description	XUC01	Tech Bulletin	Notes
1	1	161640-0	HANDLE COMPLETE	2		
1	2	161648-4	BRAKE ASSEMBLY	1		INC. 90
1	3	266130-9	TAPPING SCREW BIND PT 3X16	5		
1	4	183G32-5	SWITCH BOX SET	1		INC 10
1	5	457633-6	SWITCH LEVER	1		
1	6	922223-9	H.S.H.BOLT M5X16 WITH WR	2		
1	7	346249-1	PIPE CLAMP 28	2		
1	8	233540-5	TORSION SPRING 11	1		
1	9	144521-3	SWITCH PLATE COMPLETE	1		
1	10	183G32-5	SWITCH BOX SET	1		INC 4
1	11	650781-2	SWITCH C3JW-6B-P	1		
1	12	251595-8	HEX.BOLT M8X20	2		
1	13	687410-4	BAND	2		
1	14	942201-3	SPRING WASHER 8	2		
1	15	126589-1	FRAME ASSEMBLY	1		INC. 79-89,91-99
1	16	253852-0	FLAT WASHER 8	2		
1	17	699095-4	POWER SUPPLY CORD UNIT	1		
1	18	812S79-1	MAKITA LOGO LABEL	1		
1	19	126893-8	REAR TIRE R ASSEMBLY	1		
1	20	347278-7	GUARD R	1		
1	21	422151-3	PACKING	1		
1	22	266240-2	HEX. SOCKET HEAD BOLT M10X25	2		
1	23	941251-5	FLAT WASHER 10	2		
1	24	126837-8	REAR TIRE L ASSEMBLY	1		
1	25	922223-9	H.S.H.BOLT M5X16 WITH WR	8		
1	26	347238-9	CLAMP A	2		
1	27	347239-7	CLAMP B	2		
1	28	347394-5	PLATE	2		
1	29	687849-1	BAND	5		
1	30	319594-7	LIGHT CASE	2		
1	31	213656-2	O RING 53	2		
1	32	457636-0	REFLECTOR	2		
1	33	457634-4	LENS	2		
1	34	213604-1	O RING 50	2		

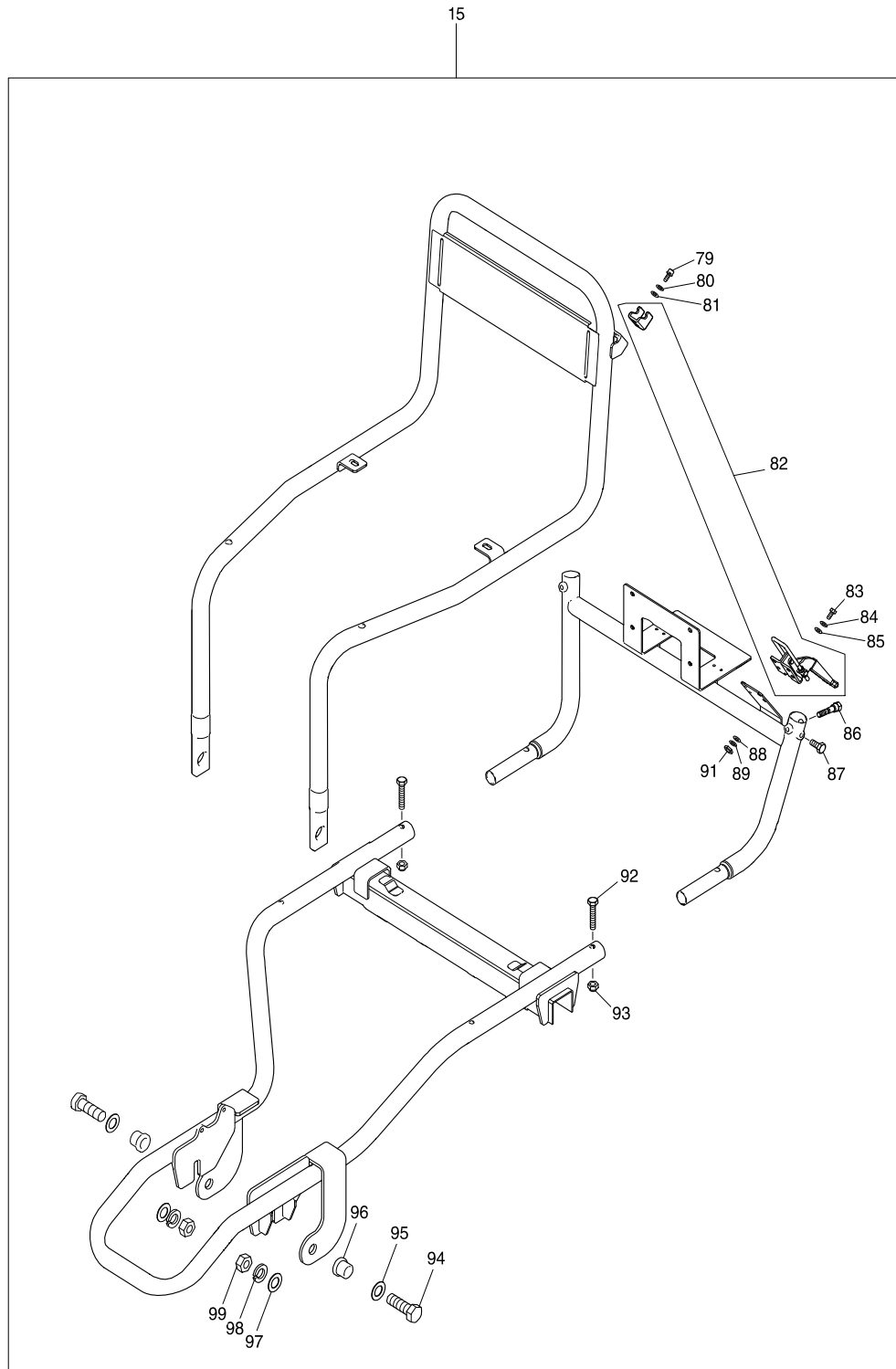
Products with multiple versions are listed in subsiding order with the newest version on top not indented.

Section	Fig. No.	Part No.	Description	XUC01	Tech Bulletin	Notes
1	35	457635-2	COVER	2		
1	36	422166-0	PACKING	1		
1	37	620685-2	LED CIRCUIT	2		
1	38	687123-7	STRAIN RELIEF	3		
1	39	266034-5	TAPPING SCREW CT 4X16	6		
1	40	319595-5	LIGHT CASE COVER	2		
1	41	266034-5	TAPPING SCREW CT 4X16	8		
1	42	347279-5	GUARD L	1		
1	43	922328-5	H.S.H.BOLT M6X18 WITH WR	2		
1	44	161641-8	BRAKE CALIPER ASSEMBLY	1		
1	45	347208-8	BRAKE DISC	1		
1	46	161638-7	SNAP IN VALVE	1		
1	47	126590-6	WHEEL	1		
1	48	126734-8	FRONT TIRE ASSEMBLY	1		INC. 46,47,52
1	49	941102-2	FLAT WASHER 5	6		
1	50	232247-0	CONED DISC SPRING 16	2		
1	51	253377-4	FLAT WASHER 17	2		
1	52	422159-7	FRONT TIRE 430	1		
1	59	699096-2	POWER SUPPLY CORD UNIT	1		
1	90	144700-3	BRAKE CABLE	1		



Products with multiple versions are listed in subsiding order with the newest version on top not indented.

Section	Fig. No.	Part No.	Description	XUC01	Tech Bulletin	Notes
2	53	457625-5	LEVER 25	1		
2	54	213005-3	O RING 5	1		
2	55	213078-6	O-RING 10	1		
2	56	816M70-5	INDICATION LABEL	1		
2	57	816M10-3	CAUTION LABEL	1		
2	58	632K49-4	LEAD UNIT	1		
2	60	854B17-5	XUC01 NAME PLATE	1		
2	61	266130-9	TAPPING SCREW BIND PT 3X16	2		
2	62	457629-7	TERMINAL HOLDER	1		
2	63	232267-4	LEAF SPRING	2		
2	64	620675-5	CONTROLLER	1		
2	65	135934-9	BATTERY BOX ASSY	1		INC. 53-55
2	66	643874-2	TERMINAL	2		
2	67	144519-0	CENTER CASE COMPLETE	1		
2	68	266130-9	TAPPING SCREW BIND PT 3X16	5		
2	69	632K50-9	LEAD UNIT	1		
2	70	144520-5	SUB CONTROLLER COMPLETE	1		
2	71	620684-4	BUZZER CIRCUIT	1		
2	72	457630-2	COVER	1		
2	73	651534-2	SWITCH 1934.3112B	1		
2	74	687123-7	STRAIN RELIEF	3		
2	75	266326-2	TAPPING SCREW 4X18	6		
2	76	457628-9	FRONT COVER	1		
2	77	266130-9	TAPPING SCREW BIND PT 3X16	8		
2	78	922218-2	H.S.H.BOLT M5X14 WITH WR	4		
2	A03	643890-4	KEY	1		



Products with multiple versions are listed in subsiding order with the newest version on top not indented.

Section	Fig. No.	Part No.	Description	XUC01	Tech Bulletin	Notes
3	15	126589-1	FRAME ASSEMBLY	1		INC. 79-89,91-99
3	79	TR00000069	HEX.SOCKET HEAD BOLT M5X14	2		
3	80	942101-7	SPRING WASHER 5	2		
3	81	941101-4	FLAT WASHER 5	2		
3	82	TR00000067	LOCK LEVER	1		
3	83	TR00000068	HEX.BOLT M5X16	4		
3	84	942101-7	SPRING WASHER 5	4		
3	85	941101-4	FLAT WASHER 5	4		
3	86	251594-0	SHOULDER HEX. BOLT M8X40	2		
3	87	251595-8	HEX.BOLT M8X20	2		
3	88	941101-4	FLAT WASHER 5	4		
3	89	942101-7	SPRING WASHER 5	4		
3	91	931202-6	HEX. NUT M5	4		
3	92	921467-8	HEX. BOLT M8X45	2		
3	93	252105-4	HEX. LOCK NUT M8-13	2		
3	94	TR00000070	HEX.BOLT M16X50	2		
3	95	TR00000073	FLAT WASHER 17	2		
3	96	326968-5	SLEEVE 17	2		
3	97	TR00000073	FLAT WASHER 17	2		
3	98	TR00000072	SPRING 16	2		
3	99	TR00000071	HEX.NUT M16-24	2		