

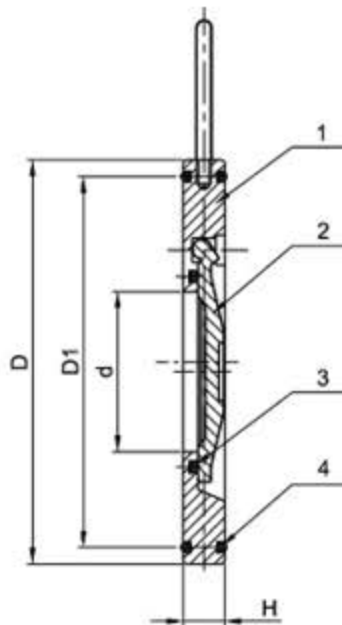
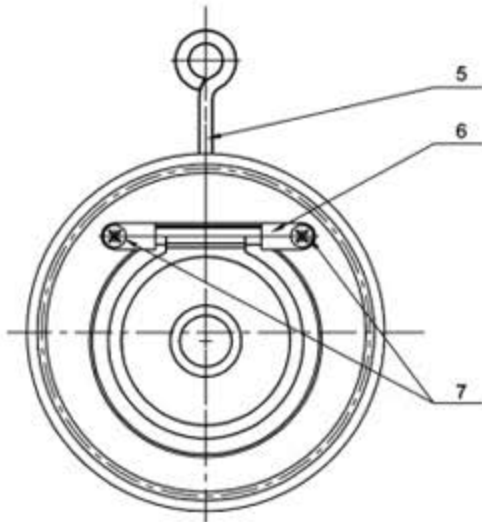
## ART 963

### PN16 Stainless Steel Waver Check Valve

#### Features

- Screwed BSP Parallel
- PTFE Seals
- Metal Seat
- PN16 Rated

#### Pressure/Temperature



DN	2"	2 1/2"	3"	4"	5"	6"	8"	10"	12"
d	32	40	54	70	92	114	154	200	230
D	105	124	136	164	194	220	275	330	384
D1	84	96	118	148	166	197	249	310	358
H	14	14	14	18	18	20	22	26	30
Kgs	0.9	1.15	1.34	2.30	3.10	4.40	7.10	12.0	20.5

#### Technical Data

Max Pressure	16 Bar
Working Temperature	25°C to +200°C

N.	Part Name	Part Name
1	Body	CF8M
2	Disc	CF8M
3	Disc O'Ring	Viton
4	External O'Ring	Viton
5	Hook	Steel
6	Stem Stopper	Stainless Steel 316
7	Axis Screw	Stainless Steel 316