

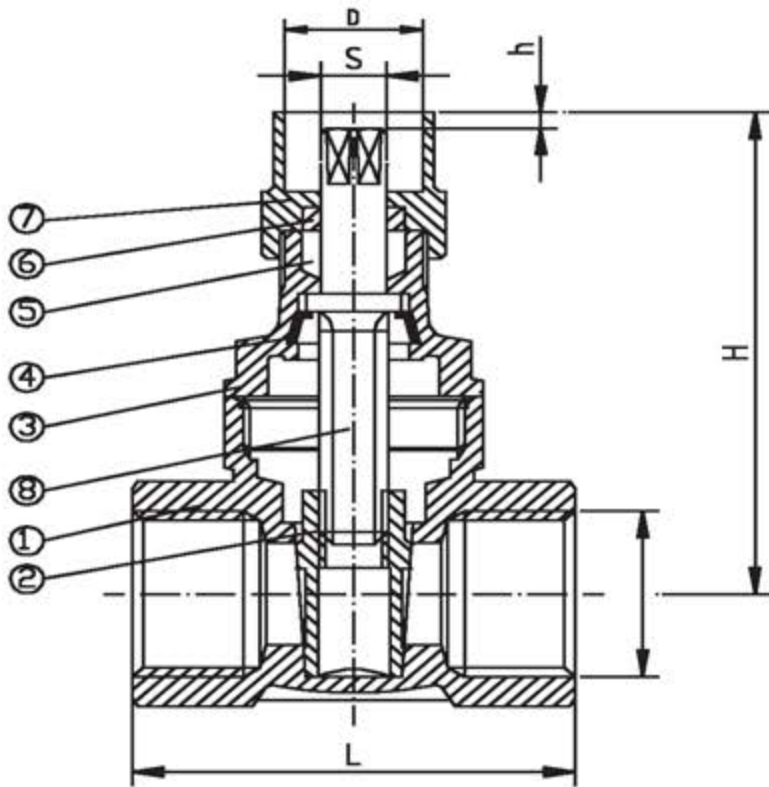
ART 640LS

PN20 DZR Brass

Gate Valve

Features

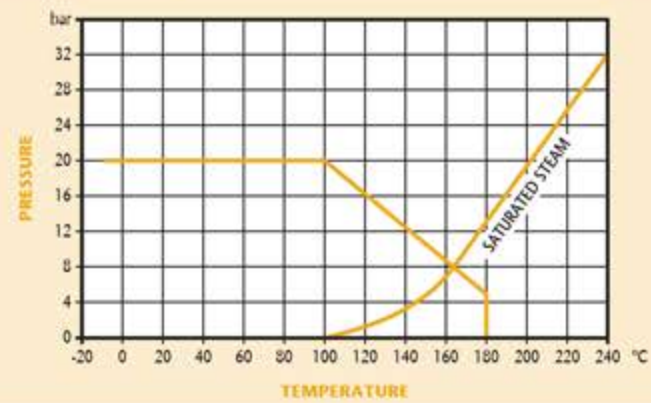
- Screwed BSP Taper(ISO 7/1)
- DZR Brass Body & Wedge
- Lock Shield
- BS5154



Technical Data

Max Pressure 20 Bar
Working Temperature -10°C to +180°C

Pressure / Temperature



DN	1/2"	3/4"	1"	1 1/4"	1 1/2"	2"
L	43	46	52	65	66	82.5
H	63.5	67.3	68.9	87.7	96.7	114.5
S	6.3	6.3	6.3	6.3	8.0	8.0
h	4.5	4.5	4.5	4.5	4.5	4.5
D	15	15	15	16.5	19.5	19.5
Kgs	0.20	0.27	0.39	0.59	0.83	1.31

N.	Part Name	Materials
1	Body	DZR Brass
2	Wedge	DZR Brass
3	Bonnet	DZR Brass
4	Lock Nut	Brass
5	Stem Packing	PTFE
6	Gland	Brass
7	Packing Nut	Brass
8	Stem	DZR Brass