

ART 368

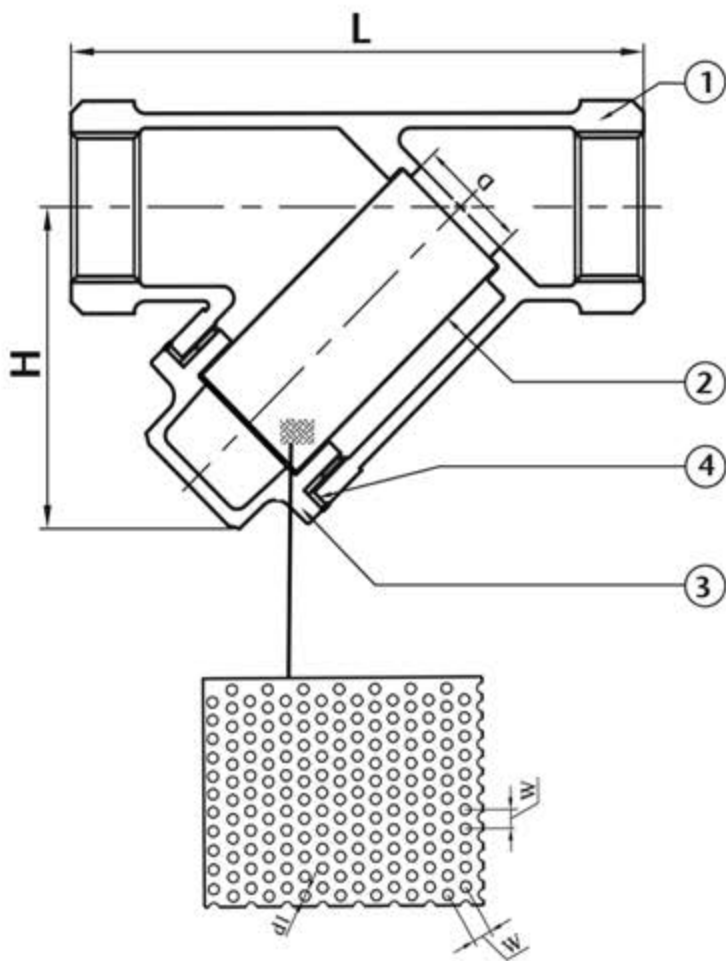
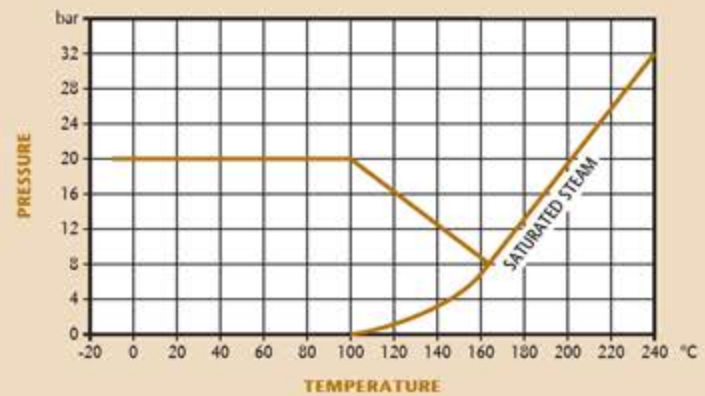
PN20 Bronze 'Y' Type Strainer



Features

- Screwed BSP Taper (ISO 7/1)
- Bronze Body
- Screwed Cap
- PN20 Rated

Pressure / Temperature



DN	15	20	25	32	40	50
L	80.0	100.0	115.0	135.0	160.0	190.0
H	48.5	58.0	70.0	80.0	93.0	112.0
D	14.0	19.0	25.0	31.8	38.1	50.0
d1	0.84	0.84	0.84	0.84	0.84	0.84
W	1.27	1.27	1.27	1.27	1.27	1.27
Kgs	0.31	0.49	0.71	0.99	1.46	2.44

Technical Data

Max Pressure	20 Bar
Working Temperature	-10°C to +180°C

N.	Part Name	Materials
1	Body	Bronze
2	Screen	Stainless Steel
3	Cap	Bronze
4	Gasket	Non Asbestos