

ART 384

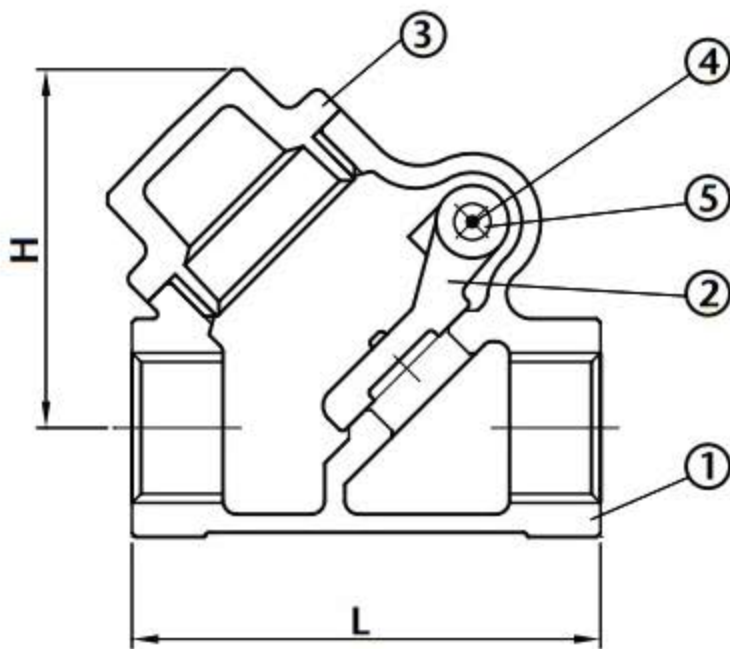
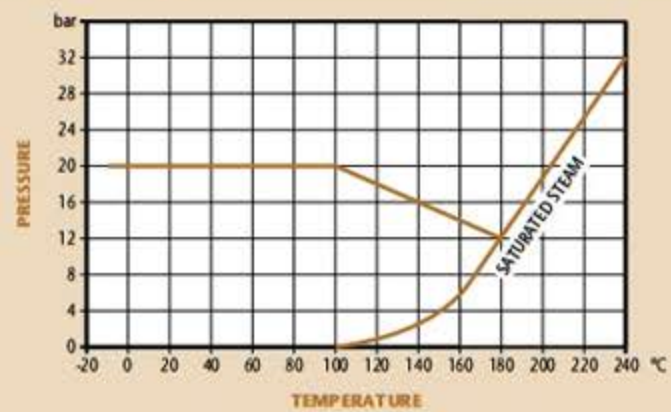
PN20 Bronze Swing Check Valve



Features

- Screwed BSP Taper
- Bronze Body & Disc
- PN20 Rated
- BS5154 (BS EN12288)

Pressure / Temperature



| DN | 1/2" | 3/4" | 1" | 1 1/4" | 1 1/2" | 2" |
|-----|------|------|------|--------|--------|------|
| L | 56 | 71 | 80 | 97 | 110 | 129 |
| H | 43 | 51 | 58 | 68 | 78 | 96 |
| CV | 3.5 | 6.6 | 12.0 | 22.0 | 30.0 | 50.0 |
| Kgs | 0.28 | 0.43 | 0.59 | 0.91 | 1.31 | 1.86 |

Technical Data

| | |
|---------------------|-----------------|
| Max Pressure | 20 Bar |
| Working Temperature | -10°C to +180°C |

| N. | Part Name | Materials |
|----|------------|-----------|
| 1 | Body | Bronze |
| 2 | Disc | Bronze |
| 3 | Cap | Bronze |
| 4 | Hanger Pin | Brass |
| 5 | Plug | Brass |