

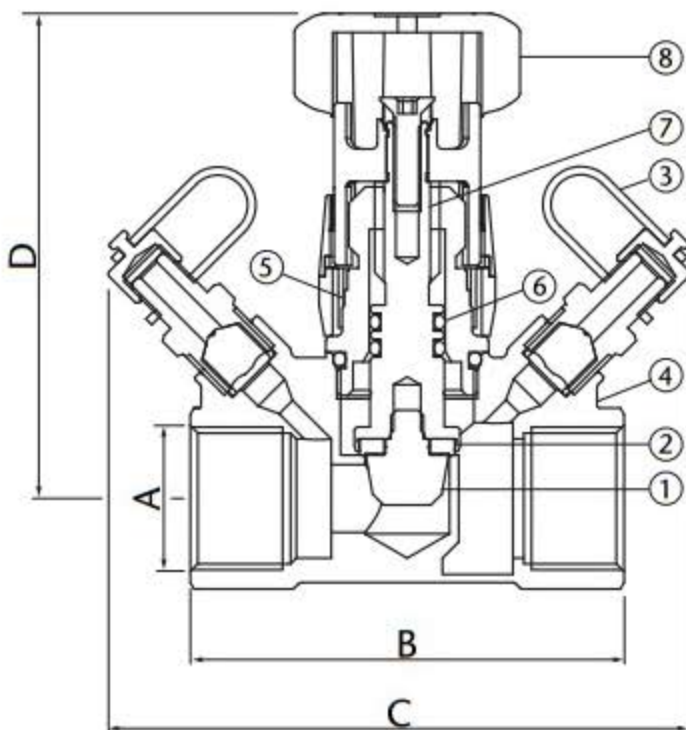
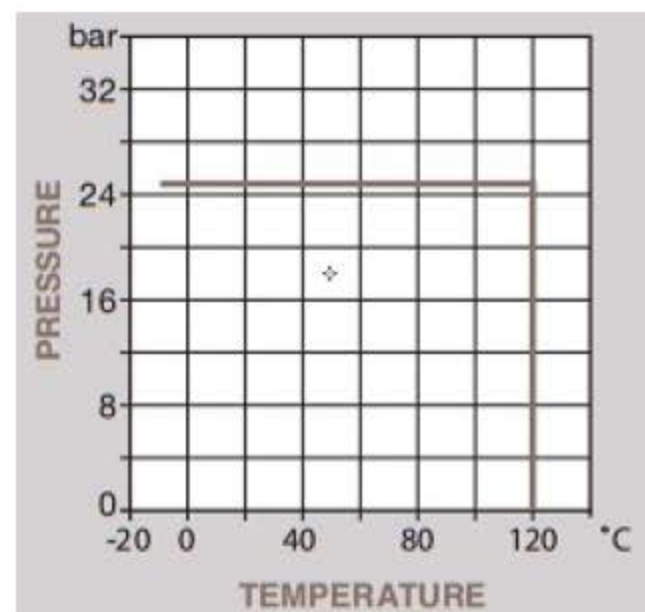
ART 28

PN25 DZR Variable Orifice Commissioning Valve

Features

- Screwed BSP parallel
- Position indicator
- Double regulating device
- Supplied with 2 fitted test points

Pressure/Temperature



Technical Data

Max Pressure 25 bar
Working Temperature -10° to 120°

	1/2	3/4	1"	1 1/4"	1 1/2"	2"
A	Rp 1/2	Rp 3/4	Rp1	Rp 1 1/4	Rp 1 1/2	Rp2
B	78	80	87	108	115	124
C	106	107	107	123	128	132
D	88	90	92	99	99	100
kgs	0.38	0.44	0.54	0.96	1.12	1.35

N.	Part Name	Materials
1	Disk	DZR Brass
2	Disk Facing	EPDM Rubber
3	Pressure Test Point	DZR Brass
4	Body	DZR Brass
5	Bonnet	DZR Brass
6	O' Rings	Nitrile Rubber
7	Stem	DZR Brass
8	Handwheel	Nylon 6