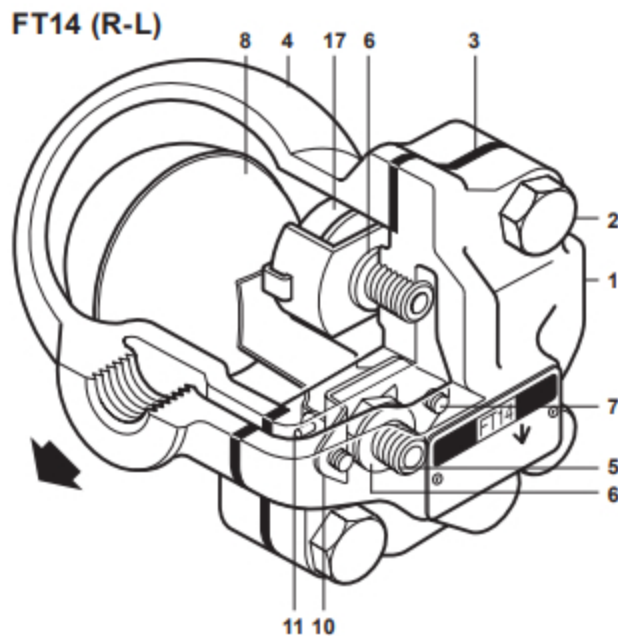
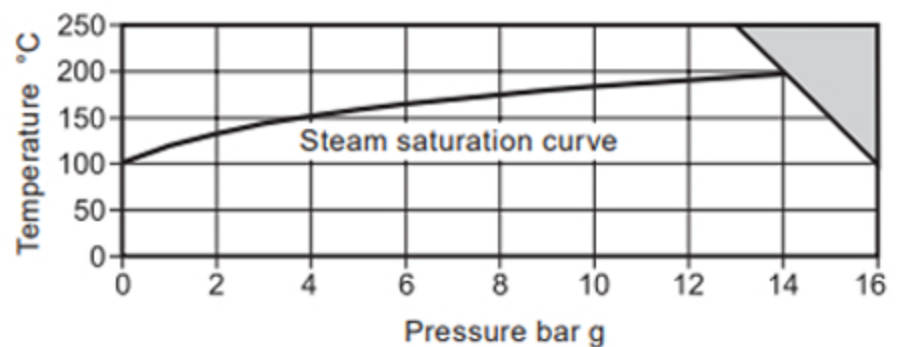


Spirax Sarco ½- 1" SG Iron Ball Float Trap Valve FT14



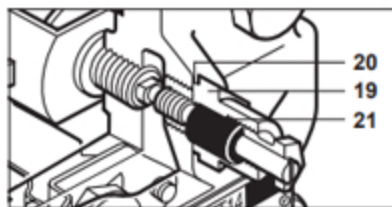
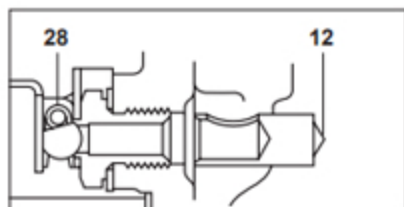
Features:

- SG Iron EN 1563 Body
- Horizontal orientation
- High resistance to erosion
- Easy maintenance without disturbance of pipework



Main Valve Assembly 1"

FT14-C (R-L)



| | | |
|--|-------------------|---------|
| Body design conditions | PN16 | |
| PMA Maximum allowable pressure | 16 bar g @ 100 °C | |
| TMA Maximum allowable temperature | 250 °C @ 13 bar g | |
| Minimum allowable temperature | -10 °C | |
| PMO Maximum operating pressure for saturated steam service | 14 bar g | |
| TMO Maximum operating temperature | 250 °C @ 13 bar g | |
| Minimum operating temperature | 0 °C | |
| ΔPMX Maximum differential pressure | FT14-4.5 | 4.5 bar |
| | FT14-10 | 10 bar |
| | FT14-14 | 14 bar |

Materials

| No. | Part | Material |
|-----|-------------------------------|----------------------------------|
| 1* | Body | SG iron EN 1563 EN-GJS-400-15 |
| 2 | Cover bolts | Steel BS 3692 Gr. 8.8 |
| 3 | Cover gasket | Reinforced exfoliated graphite |
| 4 | Cover | SG iron EN 1563 EN-GJS-400-15 |
| 5 | Valve seat | Stainless steel BS 970 431 S29 |
| 6 | Valve seat gasket | Stainless steel BS 1449 409 S19 |
| 7 | Pivot frame assembly screws | Stainless steel BS 6105 CI A2-70 |
| 8 | Ball float and lever | Stainless steel BS 1449 304 S16 |
| 10 | Pivot frame | Stainless steel BS 1449 304 S16 |
| 11 | Pivot pin | Stainless steel |
| 12* | Erosion deflector (DN25 only) | Stainless steel BS 970 431 S29 |
| 17 | Air vent assembly | Stainless steel BS 1449 304 S19 |
| 18 | Air vent seat gasket | Stainless steel BS 1449 409 S19 |
| 19 | SLR assembly | Stainless steel BS 970 303 S21 |
| 20 | SLR gasket | Stainless steel BS 1449 304 S16 |
| 21 | SLR seal | Graphite |
| 28 | Valve spring (DN25 only) | Stainless steel BS 2056 302 S26 |

* Note: Item 12 is pressed into item 1 (DN25 only).

Designed for a maximum cold hydraulic test pressure of 24 bar g