

Product Sheet

1788 Easy chair

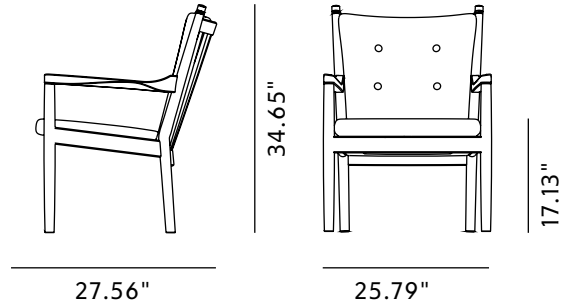
By Hans J. Wegner, 1974

Starting at LIST \$4,650

Model	1788 - Easy chair with buttons
About	Wegner designed the sophisticated 1788 armchair in 1974. The lightweight wooden design with interchangeable cushions is ideal for both exclusive public spaces and private homes.
Product group	Lounge chairs
Measurements	25.79" W x 27.56" D x 34.65" H Seat: 17.13" H
Weight	10 kg
Materials	Frame of solid wood. Seat supported by jute webbing. Interchangeable seat and back cushion with buttons. Back cushion attached with leather straps.
Accessories	Glides with or without felt. Cushions in leather or fabric according to current price list. COM fabrics upon factory approval. (P1788)
Guarantee	Fredericia Furniture A/S offers a five-year guarantee against manufacturing defects in standard products (materials and construction). Wear and damage to covers, surface treatment, inappropriate use and the like are not covered by the warranty.
Download	Download images, architect files at our partner portal on www.fredericia.com



Drawing



Colours

WOODS



Oak black
lacquered



Oak oil treated
clear



Oak soap
treated



Oak standard
lacquer

Upholstery according to current price list.

Fredericia