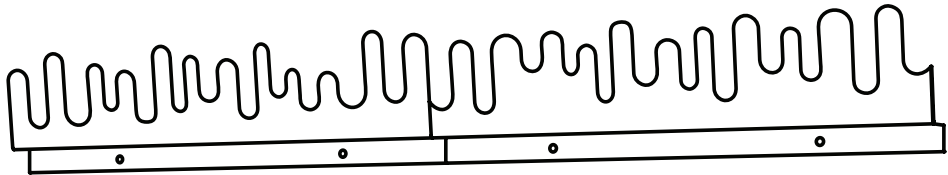


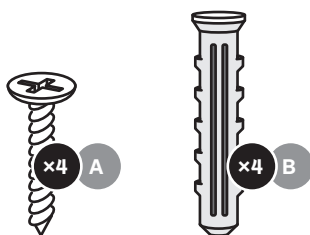
Design House

Stockholm

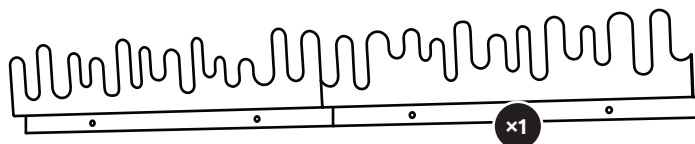


Assembly Instructions
Wave Hanger (1091-0100 & 1091-1000)

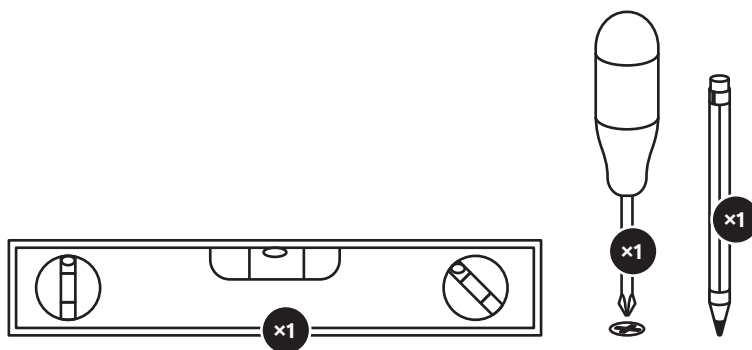
Components (tools):



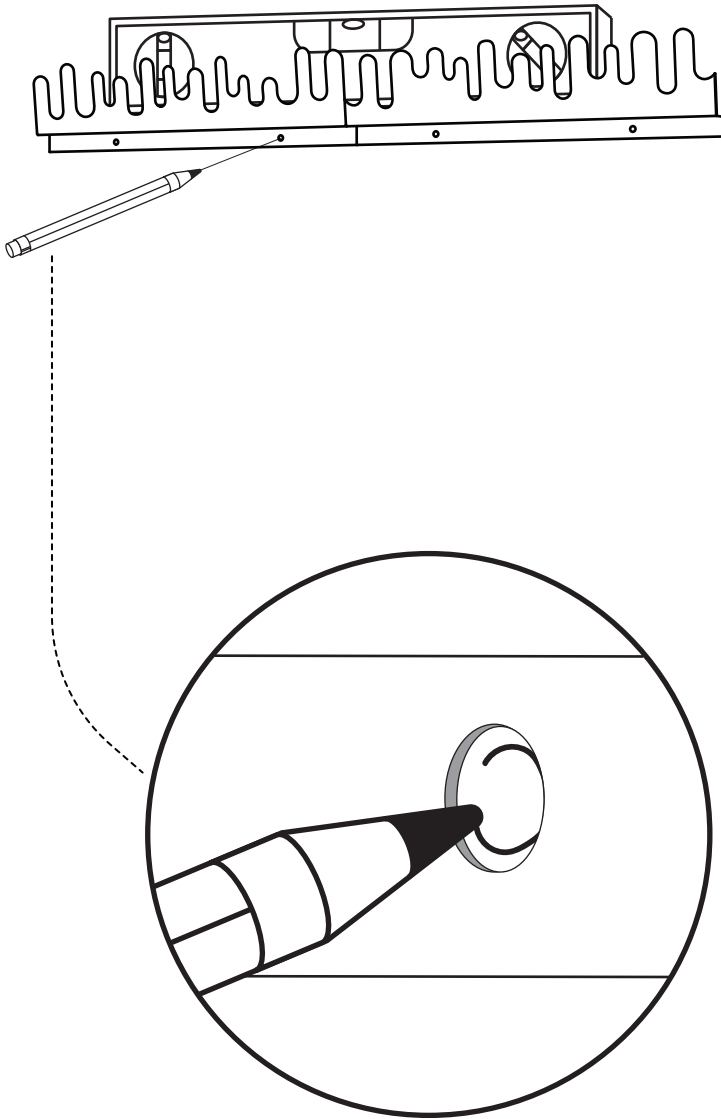
Components:



Necessary tools (not included in package):



Step 1.



Step 2.

