

Physical Characteristics

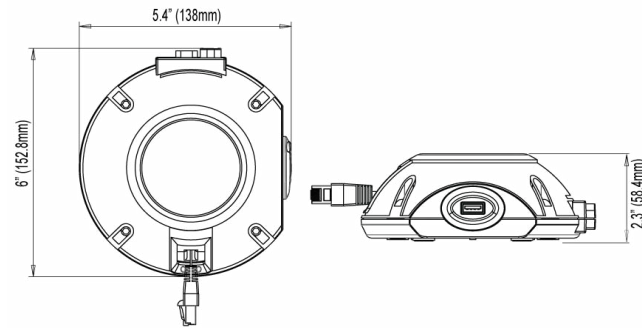
Desktop Model - TA-6950 (POE Hardware Option Available)

- Wired AP Options:** Retractable RJ45 cable (TA-6950)
- Guest-Facing USB:** 5V/1A for charging portable devices
- Power Supply:** 120V-240V input, 5V output
POE hardware supports 802.3af, 802.3at

Desktop Model - TA-7950 (POE Hardware Option Available)

- Wired AP Options:** Open RJ45 socket (TA-7950)
- Guest-Facing USB:** 5V/1A for charging portable devices
- Power Supply:** 120V-240V input, 5V output
POE models support 802.3af, 802.3at

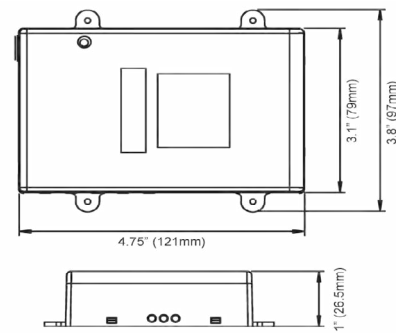
Dimensions: For TA-6950 and TA-7950



Under Desk Model - TA-8050 (POE Hardware Option Available)

- Wired AP Options:** Open RJ45 socket (can be paired with desktop wired AP cable holder)
- Guest-Facing USB:** Not Available
- Power Supply:** 120V-240V input, 5V output
PoE models support 802.3af, 802.3at

Dimensions:



SPECIFICATIONS

Technical Details

- Security Encryption:** Open system
WEP 64/128 bit encryption
WPA, WPA2, WPA-Mixed
TKIP, AES, 802.1x/RADIUS or PSK

Management

- Configuration and Installation:** Web-based management
- Security:** SSID Broadcast Enable/Disable
ACL: ACL/Disable
- Software Updates:** Firmware updates via HTTP, HTTPs or TFTP protocols, locally or remotely

Wireless Access Point

- Wireless Standards:** 802.11n, 802.11g, 802.11b
- Channel Numbers:** 1-11 (FCC)
1-13 (ETSI)
- Operation Modes:** AP
- Data Rates:** Auto, 1/2Mbps, 5.5Mbps, 11Mbps, 6Mbps, 9Mbps, 12Mbps, 18Mbps, 24Mbps, 36Mbps, 48Mbps, 54Mbps +MCSO-15
- Operating Frequency:** 2.412-2.462GHz (FCC)
2.412-2.4729Hz (ETSI)
- TCP/IP Settings:** Manual, Automatic
- Transmit Power:** Designed for coverage of a single hotel room. Very large rooms or suites may require more than one unit for optimum coverage
Controlled, 100%, 65%, 50%, 35%, 15%

Guestroom Wi-Fi...

without renovation or new cable runs



Dependable Wi-Fi access for your guests – easy to install and within your budget

In today's competitive hotel and lodging industry, providing Wi-Fi is a necessity. Deciding how to implement a reliable wireless network affordably continues to be a primary concern for hotel GMs and property Internet Service Providers. The current economic climate and the still increasing demands from technology savvy guests means only one thing for hoteliers – full re-wiring and expensive renovation is just not an option.

Your Challenge: You need a way to either add Wi-Fi onto an existing wired system or strengthen your Wi-Fi coverage, while keeping costs down and avoiding any disruptions to business.

Your Solution: More and more hotel IT directors and hospitality ISPs are turning to simple wireless technology like the TeleAdapt DeskPoint Pro to:

- Avoid full renovation and re-wiring of a new Internet infrastructure
- Offer complete Wi-Fi coverage despite challenging property constructions (such as concrete, steel, etc.)
- Fill the most common problem of weak or dead spots in existing wireless coverage
- Provide Wi-Fi with simple remote-manageability.

Key Benefits

- Cost Effective Installation:** Avoid renovation or "cable pulls" by simply plugging into an existing Ethernet outlet.
- Both Wired and Wireless in One Unit:** Retractable Thinline™ cable or RJ45 socket gives non-Wi-Fi enabled guests Internet access.
- Multiple Networks:** Up to 5 SSIDs per AP to support more than one application or user group.
- Supports 802.11n:** Higher bandwidth for more reliable signal reception and backward compatible with 802.11b/g.
- Remote Management System:** Supports SNMP 1, 2, and 3, can be included in your existing network management system or compatible with most major ISP proprietary management software.
- POE Models Available:** DeskPoint Pro with Power over Ethernet offers more flexibility, install anywhere in the room, no power outlet required.
- Guest-Facing USB Power:** Perfect for charging mobile phones and other portable electronics



Featuring USB power for charging mobile phones and other portable electronics



Easy installation, plug into existing high-speed Internet and AC power. Or, choose POE hardware option for single-cable installation.

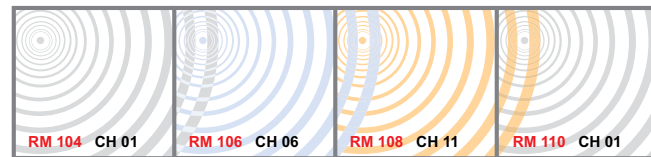


TA-8050 Under Desk model is provides a concealed option for broadcasting an in-room wireless Internet signal

Guestroom Access Point... **designed for hotels**

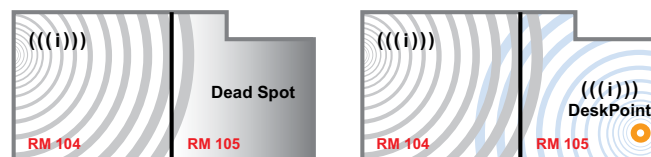
Complete coverage... flexible installation options

One-Per-Room – A DeskPoint Pro in each hotel room allows you to easily overlay a wireless infrastructure throughout your property.



- Variable transmit power between low, medium or high for tuning coverage.
- Automatically adjusts channel assignments to avoid interference.
- Overlapping signals provide fail-safe coverage. In the event of an AP failure, coverage is not interrupted for the guest.
- Improved reliability over hallway or corridor installation.
- Place access point in-room to ensure strong and clear signal for multiple guest devices.

Fill Weak or Dead Spots – Conventional hallway or corridor ceiling installations often yield corners or even full guestrooms void of a Wi-Fi signal. For these properties, we often recommend filling those spaces using DeskPoint Pro.



- Cost-effective solution for maintaining complete Wi-Fi coverage throughout property.



- A Durable top label provides easy-to-follow guest instructions, or silkscreen with your property logo
- B Internal dual antenna for 802.11n, minimizes guest tampering and product breakage
- C USB charging
- D LED indicator lights for power, RF and LAN
- E Retractable Thinline™ cable or RJ45 socket gives non-Wi-Fi enabled guests Internet access

Hardware Features

- Flat-topped dome shape ideal for branding and providing guest instructions
- Dual internal antennae for 802.11n, preventing breakage and guest tampering
- Side USB socket for convenient charging of mobile devices
- Wired via retractable Ethernet cable or RJ45 socket
- POE model supports 802.3af / 802.3at
- Improved spool retractor function
- Under-desk model available for common area or discreet in-room installations

Software/Wireless Features

- Fully compatible with 802.11n networks and backward compatible with 802.11b/g
- Supports up to five SSIDs, one primary and 4 secondary
- Support for up to seven VLANs per unit (one per SSID plus wired AP and management)
- VLAN tagging and priority settings for more reliable trafficking
- Auto-channel selection for faster, simplified installation
- Web-based management
- Telnet, SNMP 1, 2, and 3 compatible
- Controller not required, lowering total cost to hotel

