




DE HPS 1000W System

The HPS fixture design is a complete double ended fixture with high output performance and flexible dimming capabilities for any growing situation.

ORDERING INFORMATION

MODEL	REFLECTOR	VOLTAGE
DE1000	EN 100 Degree EW 150 Degree	LV 120v-240v HV 208v-480v

CONTROL

0-10V (Option) Fixture is equipped with an external RJ14 cable and allows for daisy chained installation of up to 160 fixtures per controller (80 fixtures per controller port).

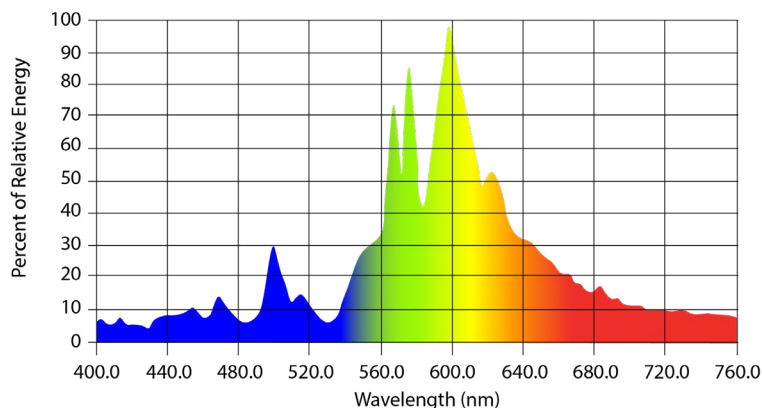
DIMMING

DE1000 is dimmable in 600W, 750W, 1000W, 1150W.

PARTS

- Power Cord - NEMA 6-15P
- Lamp Holder - K12x30s lamp holder, 3KV
- Reflector - Aluminum
- Ballast - 1000W Electronic Dimmable Ballast

SPECTRAL DISTRIBUTION

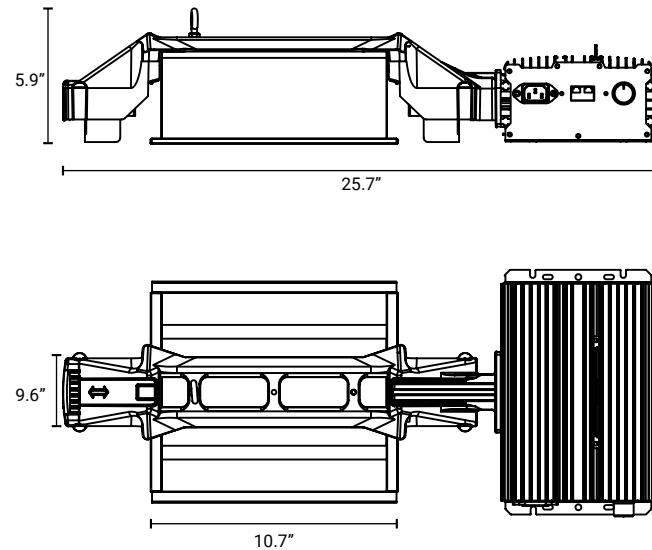


SPECIFICATIONS

LAMP WATTAGE	1000W	CERTIFICATION	ETL, CE
INPUT WATTAGE	1090W / 1060W 1200W / 1200W	MAX HUMIDITY	95%
INPUT VOLTAGE	120V / 240V	PULSE VOLTAGE	4-6KV
INPUT CURRENT	9.08A / 4.42A	OUTPUT FREQUENCY	110KHz
POWER FACTOR	≥ 0.98 (MIN.)	OUTPUT	250V / 4.2A
THD	≥ 10%	LENGTH	25.6" / 27"
WAVE CREST	≤ 1.7 Coefficient	WIDTH	12.5" / 13.8"
TEMP ON BALLAST SHELL	75°C / 167°F (MAX.)	HEIGHT	6" / 5.8"
AMBIENT TEMP	-25°C / 50°C	WEIGHT	22lbs / 19.8lbs

DIMENSIONS

100 Degree:



150 Degree:

