



Spot Surface Mount with Stem



Technical Specifications

Materials	Steel or brass
Product weight	2 lbs
Lead time	Painted metal: 2 weeks Brass: 4 weeks
Bulbs included (1)	GU10 / 120 V / 7.0 W / 500 lm / 2700 K
Dimmer	TRIAC
Max wattage	10 W
Certifications	UL listed, damp-rated

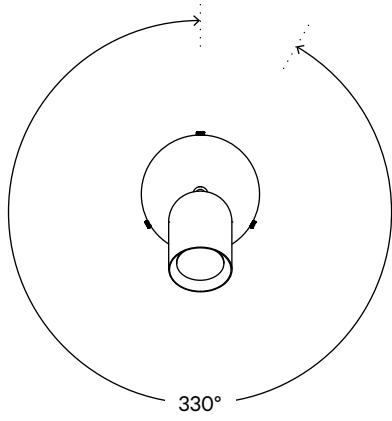


Notes

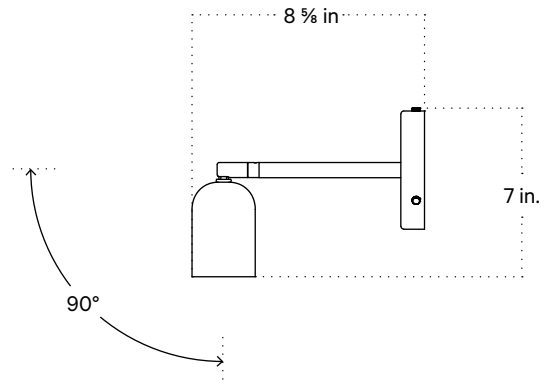
1. This fixture can be installed on a wall or ceiling.
2. All painted metal finishes have a 2 week lead time. The brass fixtures are hand-finished to order and will ship in 4 weeks.
3. This fixture can be specified with a rotary dimmer switch installed on its base.

Updated December 11, 2023

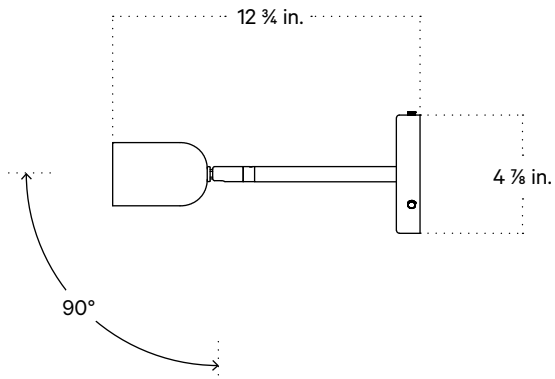
Front View



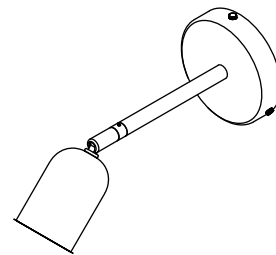
Side View 1



Side View 2



Isometric View



Spot Surface Mount with Stem + Switch



Technical Specifications

Materials	Steel or brass
Product weight	1.25 lbs
Lead time	Painted metal: 2 weeks Brass: 4 weeks
Bulbs included (1)	GU10 / 120 V / 7.0 W / 500 lm / 2700 K
Dimmer	Integrated dimmer switch
Max wattage	10 W
Certifications	UL listed, damp-rated

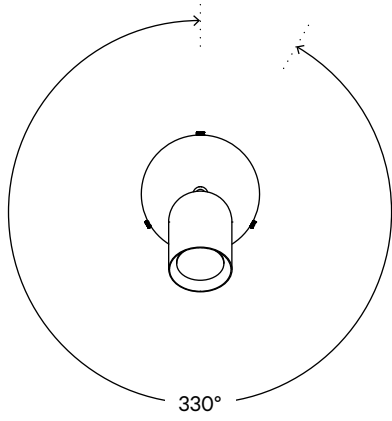


Notes

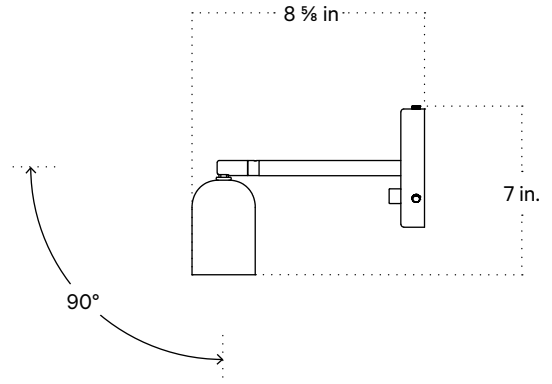
1. This fixture can be installed on a wall or ceiling.
2. All painted metal finishes have a 2 week lead time. The brass fixtures are hand-finished to order and will ship in 4 weeks.

Updated December 11, 2023

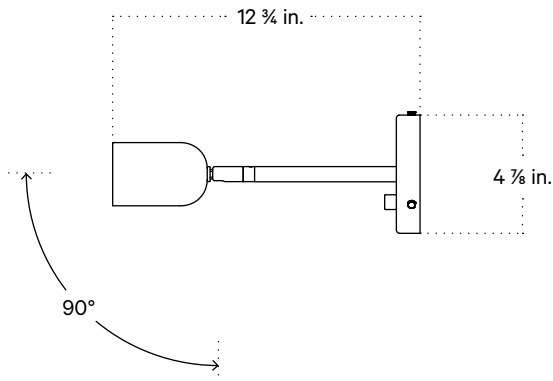
Front View



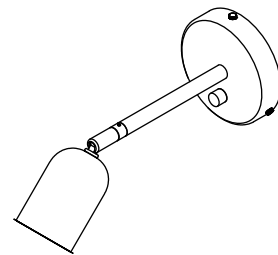
Side View 1



Side View 2



Isometric View



Spot Surface Mount with Stem, Plug-in



Technical Specifications

Materials	Steel or brass
Product weight	2.5 lbs
Lead time	2 weeks
Bulbs included (1)	GU10 / 120 V / 7.0 W / 500 lm / 2700 K
Dimmer	Integrated dimmer switch
Cord length	10 feet
Max wattage	10 W
Certifications	UL listed

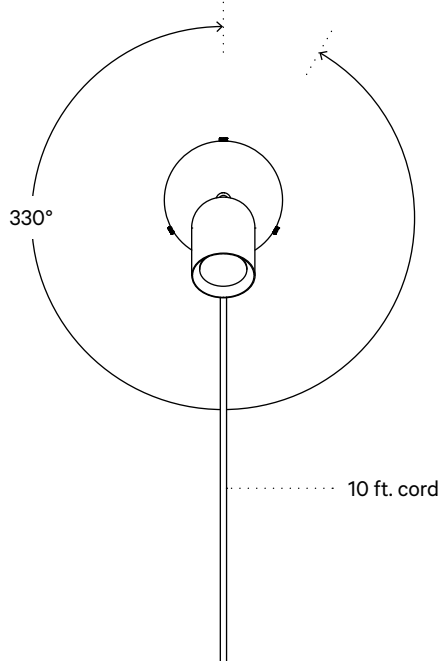


Notes

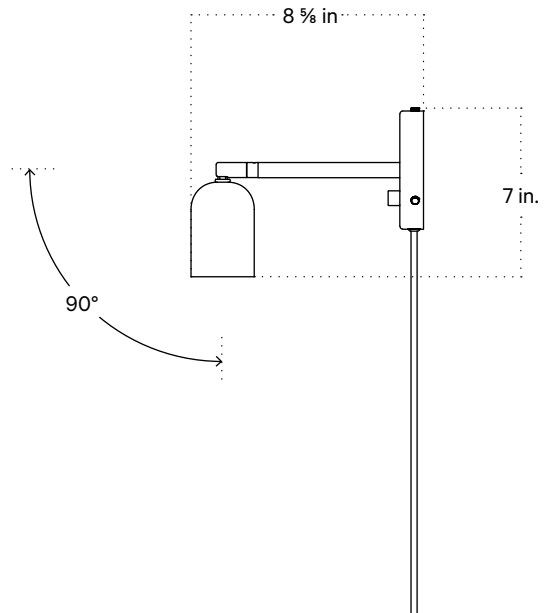
1. Fixtures ordered with painted metal hardware come with a 10-foot black fabric cord.
2. Fixtures ordered in brass finishes come with a 10-foot chocolate brown fabric cord.
3. Custom cord color can be specified for an additional cost; please inquire.

Updated December 11, 2023

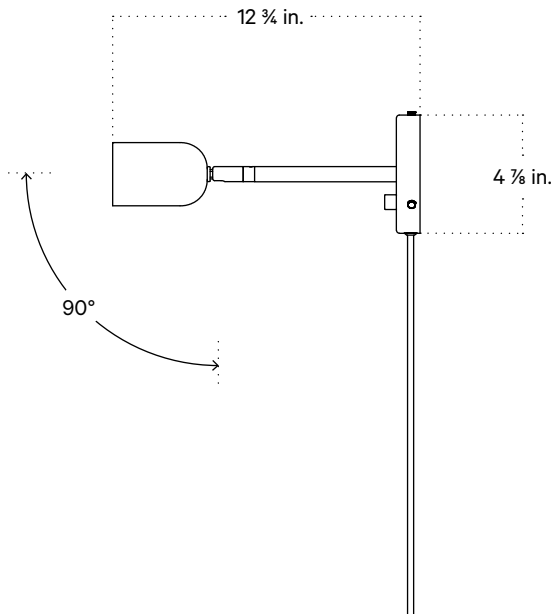
Front View



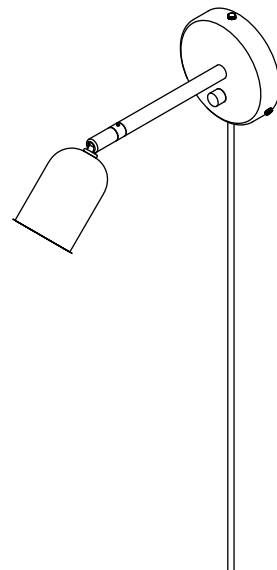
Side View 1



Side View 2



Isometric View



Finish Options

Brass, glass, and ceramic samples made or finished by hand may exhibit variability. Available for purchase at incommonwith.com/finishes.

Painted Metal



Black



Bone



Oxide Red



Reed Green



Peach

Brass



Brass



Patina Brass



Blackened Brass



Pewter