

In Common With

Spot Surface Mount with Stem
Technical Specifications



Spot Surface Mount with Stem



Technical Specifications

| | |
|--------------------|--|
| Materials | Steel or brass |
| Product weight | 2 lbs |
| Lead time | Painted metal: 2 weeks Brass: 4 weeks |
| Bulbs included (1) | GU10 / 110 V / 7.0 W / 500 lm / 2700 K |
| Dimmer | TRIAC |
| Max wattage | 10 W |
| Certifications | UL listed, damp-rated |

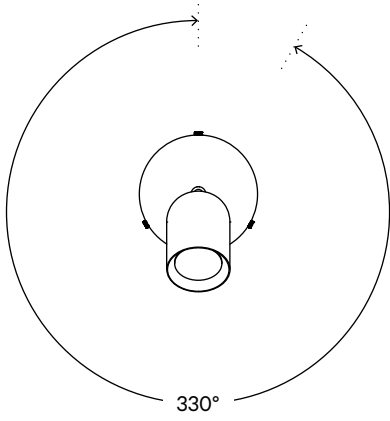


Notes

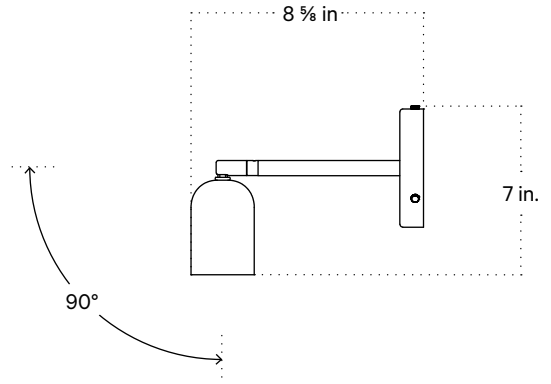
1. This fixture can be installed on a wall or ceiling.
2. All painted metal finishes have a 3-day lead time. The brass fixtures are hand-finished to order and will ship in 2 weeks.
3. This fixture can be specified with a rotary dimmer switch installed on its base. The dimmer switch can be located on either the left or right side of the shades.

Updated February 28, 2023

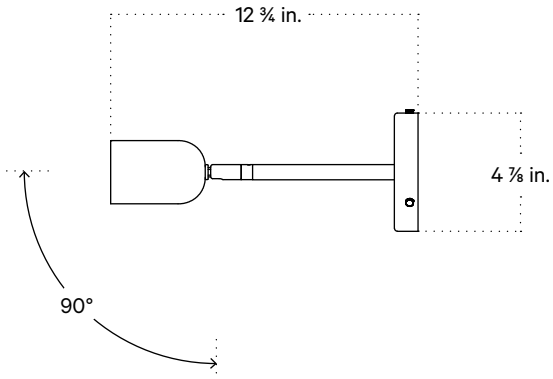
Front View



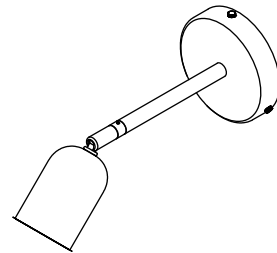
Side View 1



Side View 2



Isometric View



Spot Surface Mount with Stem + Switch



Technical Specifications

| | |
|--------------------|--|
| Materials | Steel or brass |
| Product weight | 1.25 lbs |
| Lead time | Painted metal: 2 weeks Brass: 4 weeks |
| Bulbs included (1) | GU10 / 110 V / 7.0 W / 500 lm / 2700 K |
| Dimmer | Integrated dimmer switch |
| Max wattage | 10 W |
| Certifications | UL listed, damp-rated |

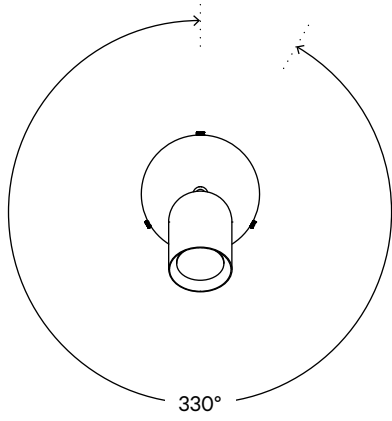


Notes

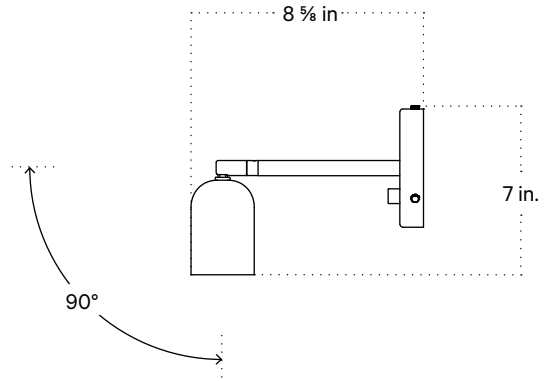
1. This fixture can be installed on a wall or ceiling.
2. All painted metal finishes have a 3-day lead time. The brass fixtures are hand-finished to order and will ship in 2 weeks.
3. This fixture can be specified with a rotary dimmer switch installed on its base. The dimmer switch can be located on either the left or right side of the shades.

Updated February 28, 2023

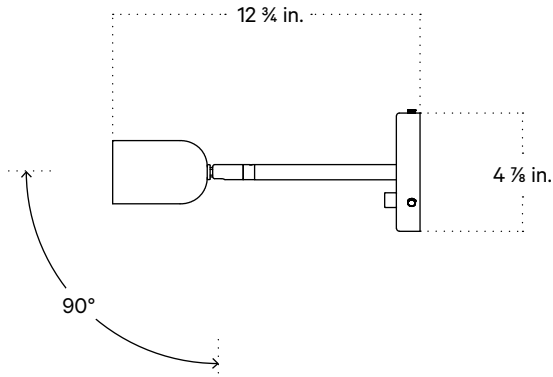
Front View



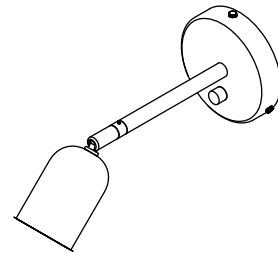
Side View 1



Side View 2



Isometric View



Spot Surface Mount with Stem, Plug-in



Technical Specifications

| | |
|--------------------|--|
| Materials | Steel or brass |
| Product weight | 2.5 lbs |
| Lead time | 2 weeks |
| Bulbs included (1) | GU10 / 110 V / 7.0 W / 500 lm / 2700 K |
| Dimmer | Integrated dimmer switch |
| Cord length | 10 feet |
| Max wattage | 10 W |
| Certifications | UL listed |

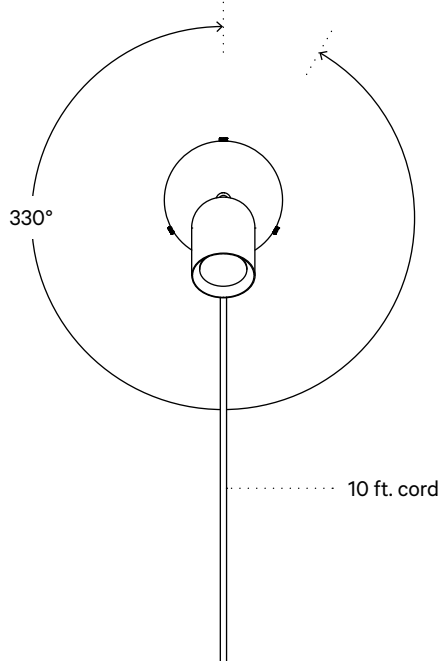


Notes

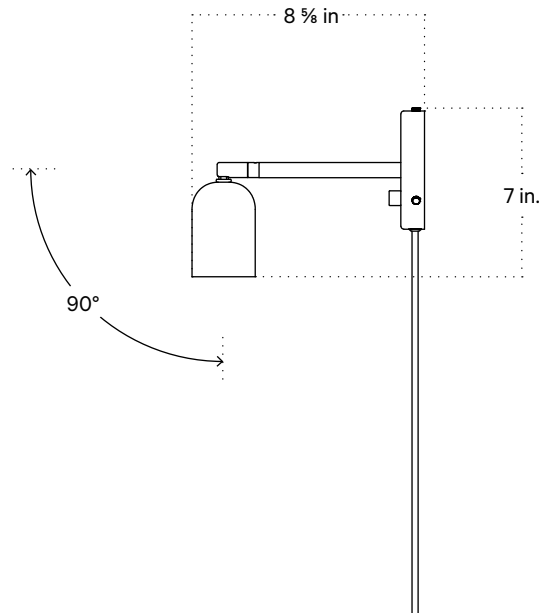
1. Fixtures ordered with painted metal hardware come with a 10-foot black fabric cord. The on/off switch is located 2 feet from the plug.
2. Fixtures ordered in brass finishes with an on/off switch come with a 10-foot chocolate brown fabric cord.
3. Custom cord color can be specified for an additional cost; please inquire.

Updated February 28, 2023

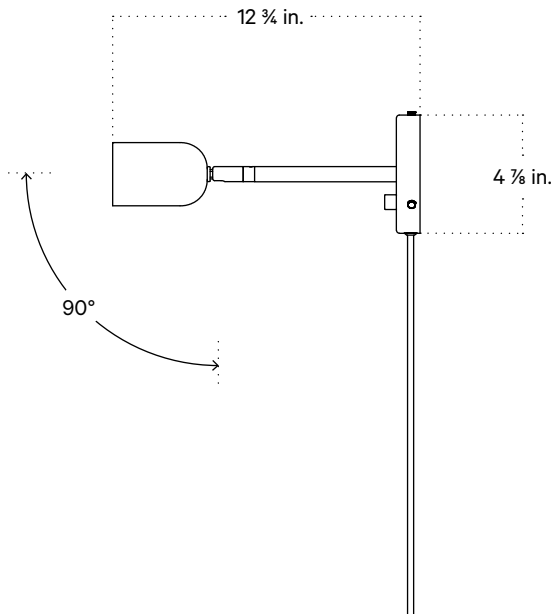
Front View



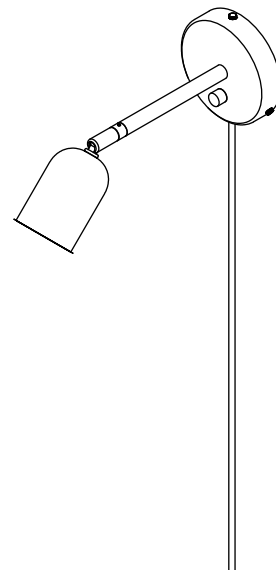
Side View 1



Side View 2



Isometric View



Finish Options

Brass, glass, and ceramic samples made or finished by hand may exhibit variability. Available for purchase at incommonwith.com/finishes.

Painted Metal



Black



Bone



Oxide Red



Reed Green



Peach

Brass



Brass



Patina Brass



Blackened Brass



Pewter