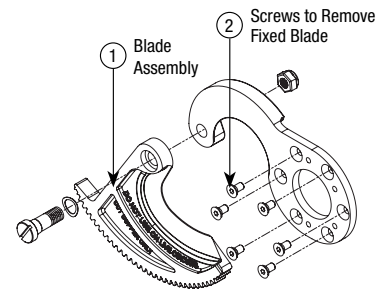




**FASTER, TOUGHER, AND MORE DURABLE.  
STAY A CUT ABOVE.**

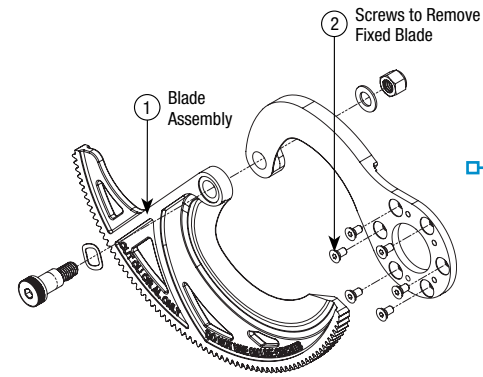


## REPLACEMENT BLADES, GEAR BOX & PARTS



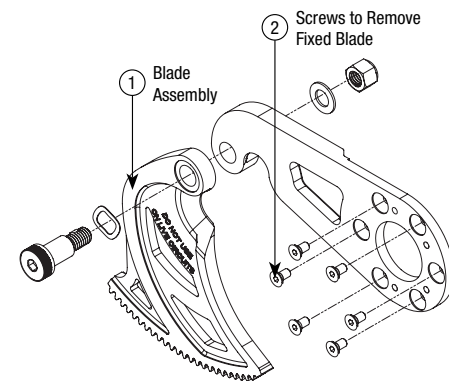
### POWERBLADE 750 CABLE CUTTER 35-078

ITEM NO.	PART NO.	DESCRIPTION	QTY.
1	K-8906R	Blade Pair Assembly	1
12	113.190	10-32 x .375 FHMS Hex Screw	6



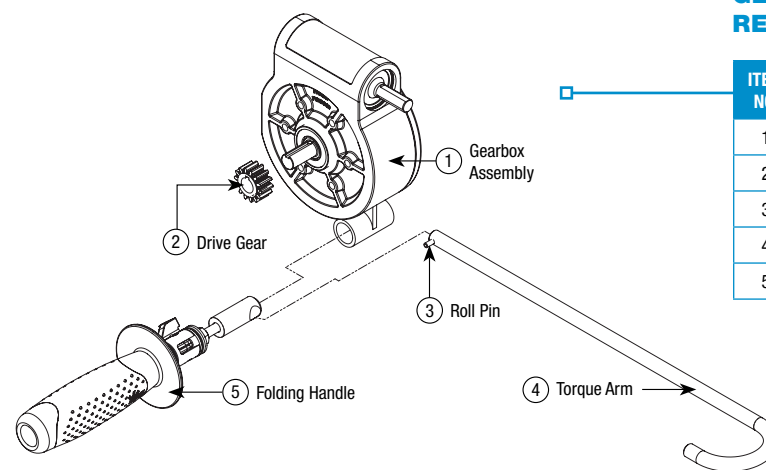
### BIG KAHUNA CABLE CUTTER 35-076

ITEM NO.	PART NO.	DESCRIPTION	QTY.
1	KB-0276R	Blade Pair Assembly	1
2	113.190	10-32 x .375 FHMS Hex Screw	6



### MERLIN ACSR CABLE CUTTER 35-077

ITEM NO.	PART NO.	DESCRIPTION	QTY.
1	KB-0278R	Blade Pair Assembly	1
2	113.190	10-32 x .375 FHMS Hex Screw	6



### GEAR BOX ASSEMBLY AND REPLACEMENT PARTS

ITEM NO.	PART NO.	DESCRIPTION	QTY.
1	H-3400	Gearbox Assembly	1
2	KB-0456	Drive Gear	1
3	281.106	.125 Dia x .625 Roll Pin	1
4	K-8933	Torque Arm	1
5	H-3507	Folding Handle	1

#### IDEAL INDUSTRIES, INC.

Becker Place, Sycamore, IL 60178, USA / 815-895-5181 • 800-435-0705 in USA

International offices:

Australia • Brazil • Canada • China • Germany • Mexico • UK

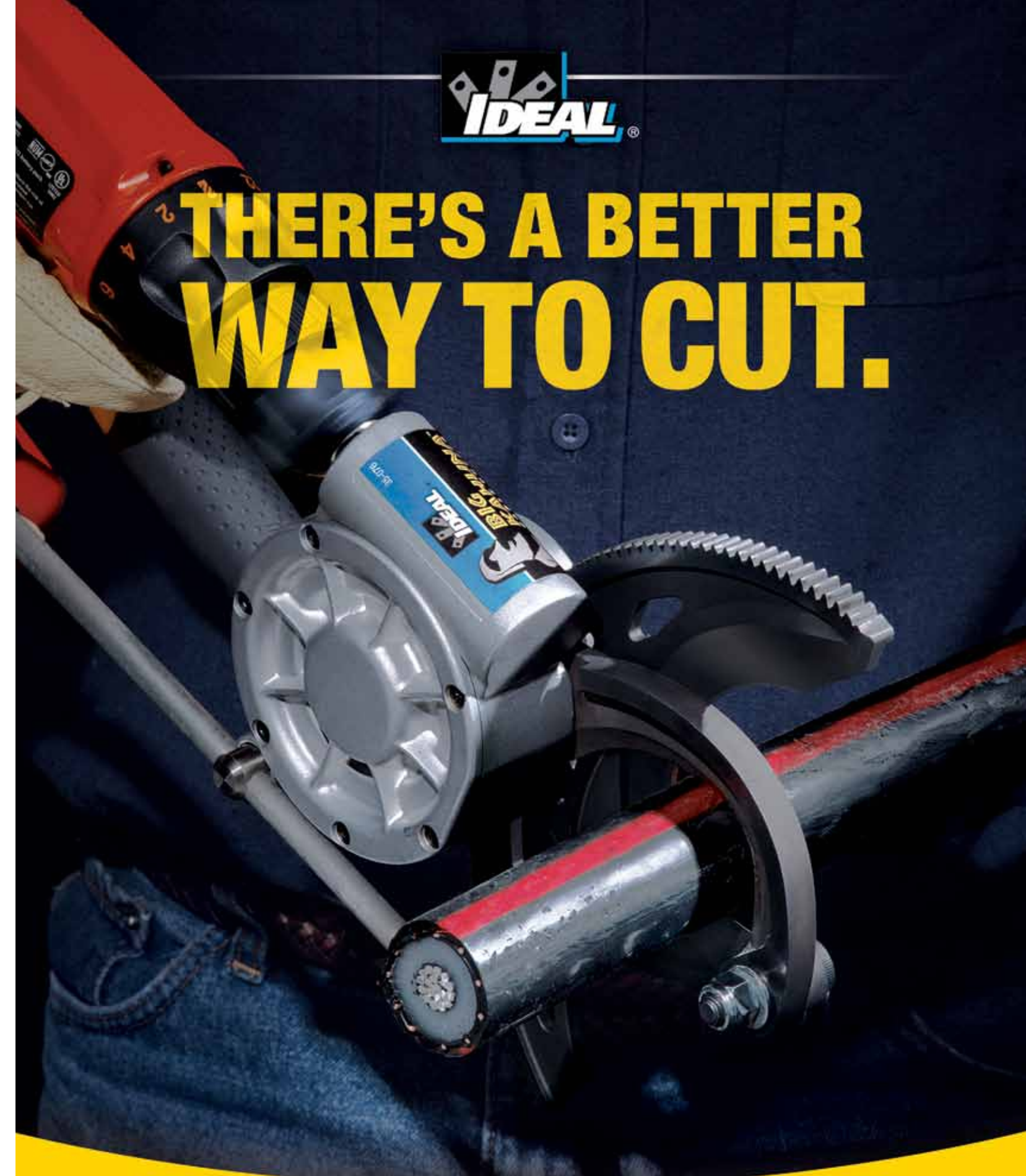
For complete sales office contact information, visit us at:  
[www.idealindustries.com](http://www.idealindustries.com)

Form No. P-2522  
©2013 IDEAL INDUSTRIES, INC.

10/13 Printed in U.S.A.



**THERE'S A BETTER  
WAY TO CUT.**



**POWERFUL FAST DURABLE EASY-TO-USE**