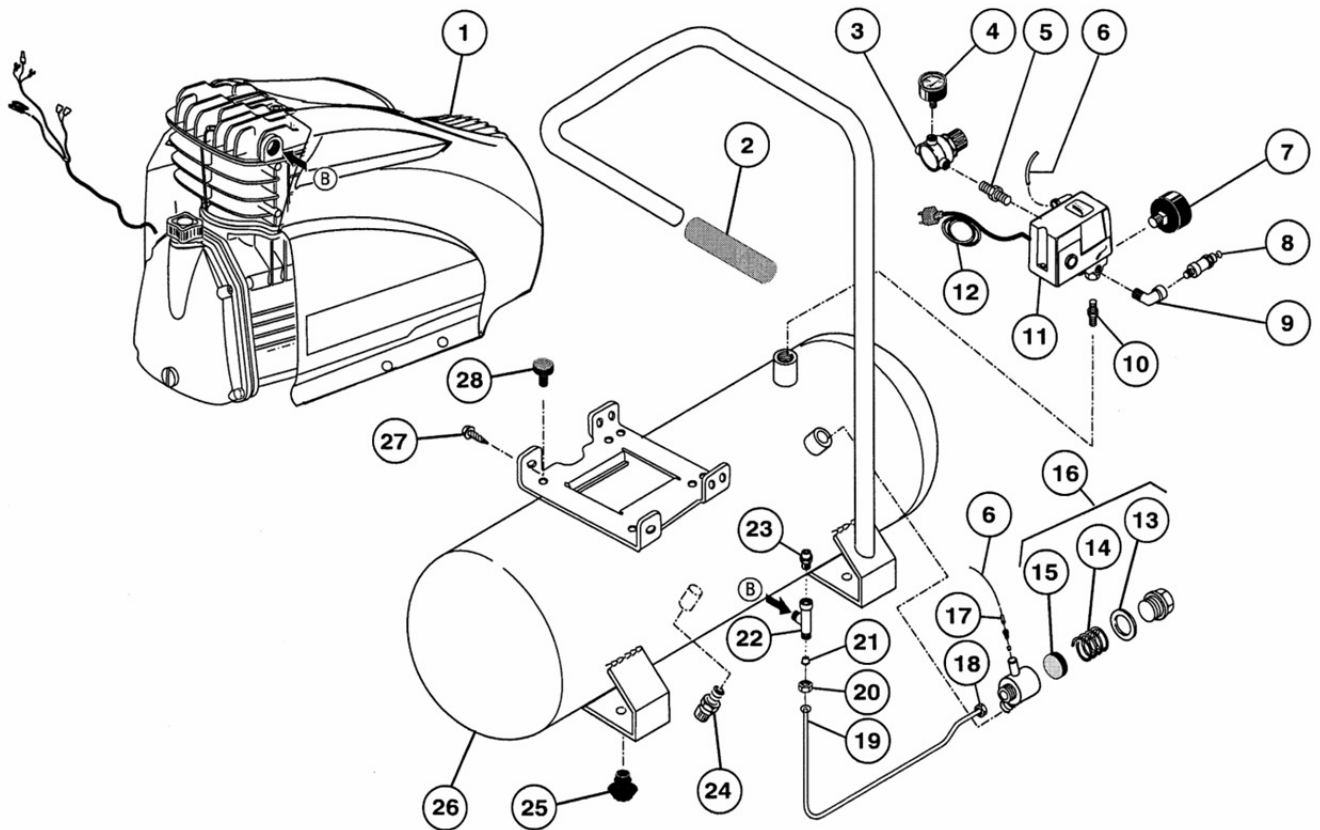
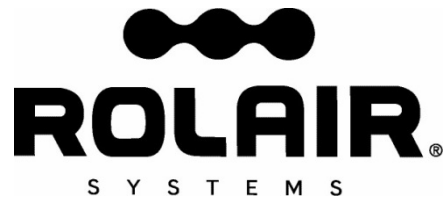


ROLAIR
SCHEMATIC FOR
FC1500HS3





PARTS LIST FOR FC1500HS3

| Schematic # | Description | Part # | Qty. |
|-------------|--------------------|---------------|------|
| 1 | 1.5 HP Pump/Motor | PMP11SF2500FC | 1 |
| 2 | Handle Grip | FC127HQ0130 | 1 |
| 3 | Regulator | FC319108000 | 1 |
| 4 | Gauge – Line | FC330006000 | 1 |
| 5 | Nipple | FC011017001 | 1 |
| 6 | Nylon Tubing | FC046001000 | 1 |
| 7 | Gauge – Tank | FC330052000 | 1 |
| 8 | Safety Valve | FC047027001 | 1 |
| 9 | Elbow | FC011056000 | 1 |
| 10 | Nipple | FC199110140 | 1 |
| 11 | Pressure Switch | FC321054000 | 1 |
| 12 | Cord w/Plug | FC164A08300 | 1 |
| 13 | O-Ring | FC010024000 | 1 |
| 14 | Spring | FC047113002 | 1 |
| 15 | Seal | FC047113001 | 1 |
| 16 | Check Valve | FC347043000 | 1 |
| 17 | Brass Sleeve | FC011304000 | 1 |
| 18 | Lock Nut | FC199437000 | 1 |
| 19 | Discharge Tube | FC168HQ0010 | 1 |
| 20 | Lock Nut | FC011117002 | 1 |
| 21 | Ring | FC011117000 | 1 |
| 22 | Discharge Tee | FC199617000 | 1 |
| 23 | Bleeder Valve | FC011158000 | 1 |
| 24 | Drain Valve | FC022029000 | 1 |
| 25 | Rubber Foot | FC020146000 | 4 |
| 26 | Tank Assembly | FC165A15001 | 1 |
| 27 | Screw | FC014013042 | 4 |
| 28 | Vibration Dampener | FC199575000 | 4 |

