

Installation Guide

FIVE PENDANT

Thoughtful lighting, responsibly designed in London.

Thank you for making the switch to Tala.
Discover the full Tala family at us.tala.co.uk.

BEFORE STARTING

We advise the installation of this light fitting be performed by a qualified electrician. Please read through these instructions before commencing work, and keep them for future reference. Please take extreme care when carrying out these instructions.

IMPORTANT

This light fitting must be connected to the supply earth. If your lighting circuit does not have an earth, ask a qualified electrician to provide an earth facility. This light fitting is suitable for indoor use only. This fitting operates on 120V mains voltage. Please visit our website to see our recommended dimmers.

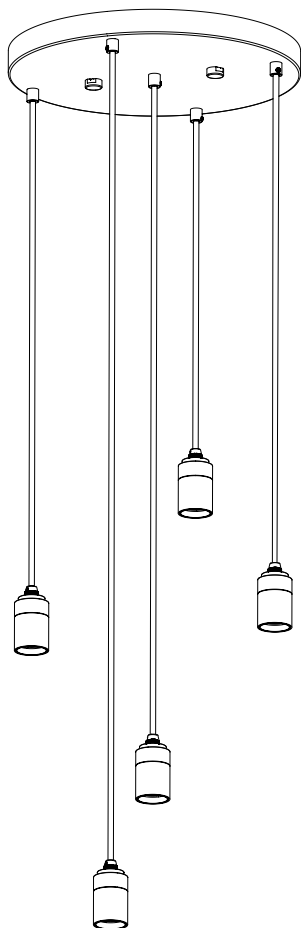
WARNING

Always switch off electricity supply at the mains during installation and maintenance. We recommend that the fuse is withdrawn or the circuit breaker is switched off whilst work is in progress. Do not just turn off at the wall switch. All fittings must be installed in accordance with current NFPA 70, National Electrical Code (NEC).

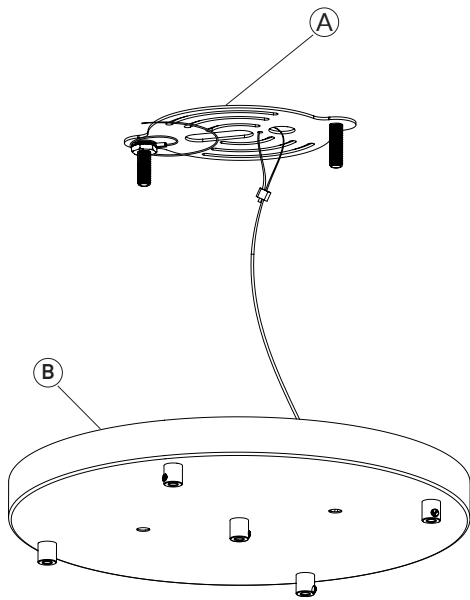
RECOMMENDED EQUIPMENT

- Small flat head screwdriver
 - Wire strippers
 - Insulation tape
 - M10 (17mm) (5/8IN) wrench or Adjustable wrench
- Further equipment may be required for fixing to your ceiling.

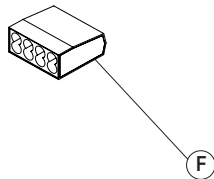
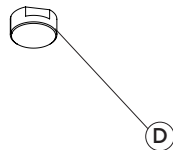
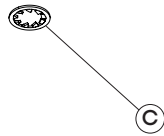
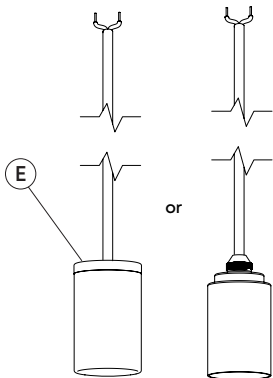
FOR INDOOR USE AND DRY LOCATIONS ONLY.



Five Pendant - Provided Components

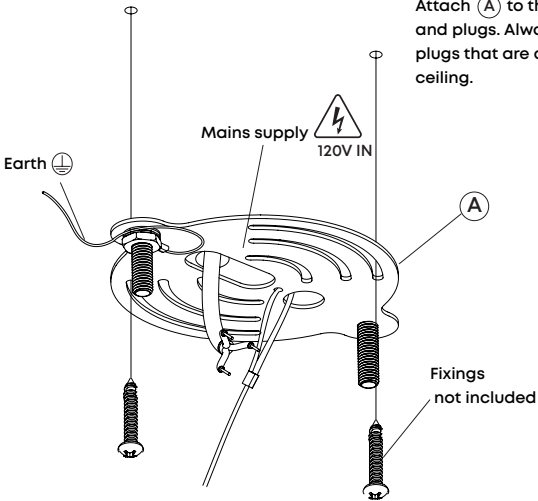


- (A) x1 Ceiling Bracket
- (B) x1 Canopy
- (C) x2 M10,
Internal tooth washer
- (D) x2 Nut
- (E) x5 Tala Pendants
*Oak, Walnut, Brass or
Graphite*
- (F) x1 Terminal connector



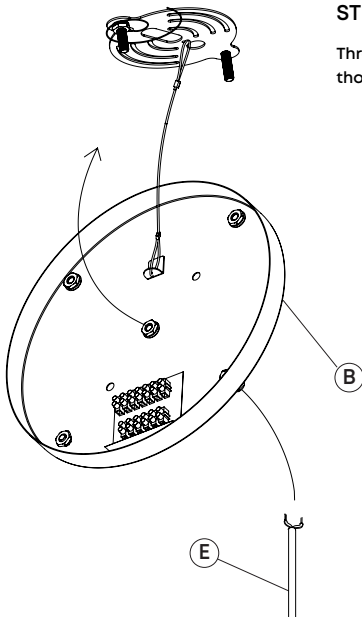
STEP 1

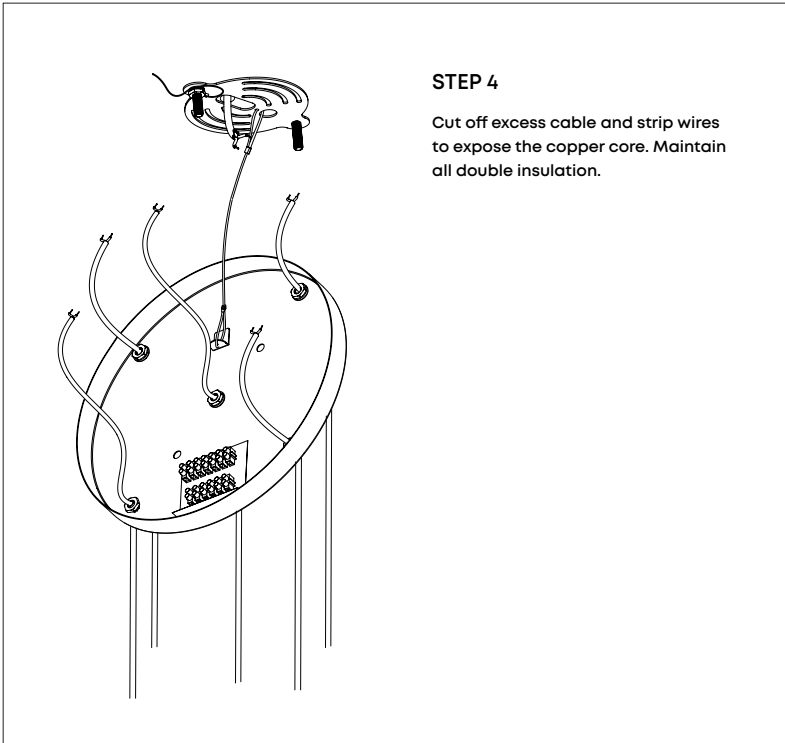
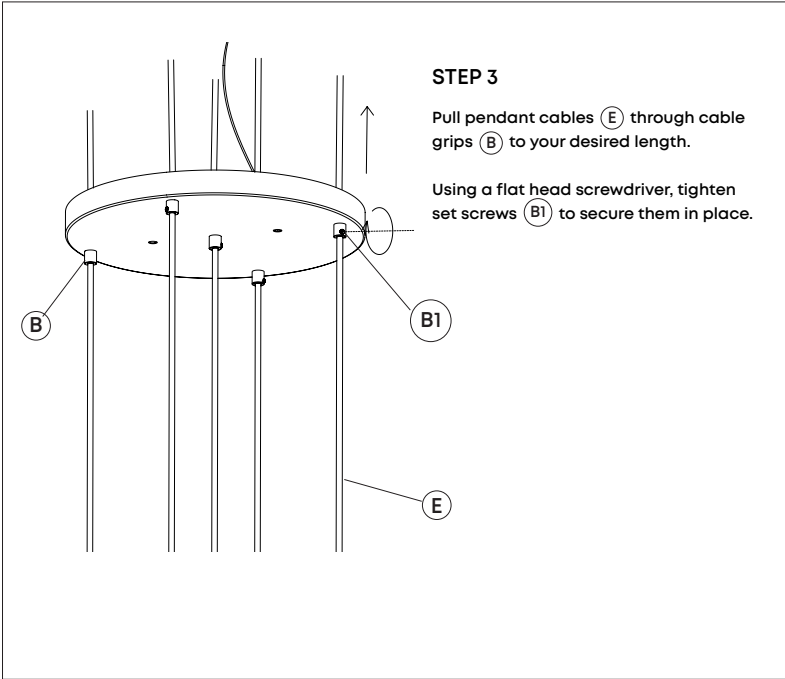
Attach (A) to the ceiling using screws and plugs. Always choose screws and plugs that are appropriate for the ceiling.



STEP 2

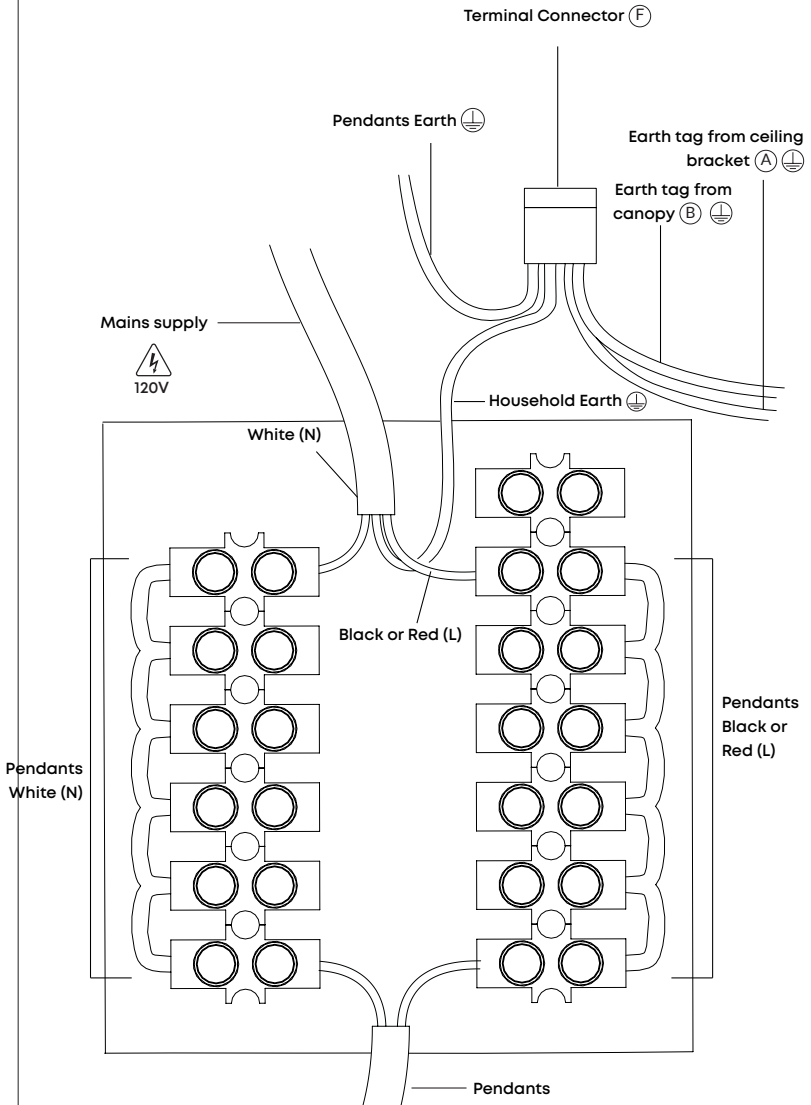
Thread all five pendant cables (E) through canopy cable grips (B).

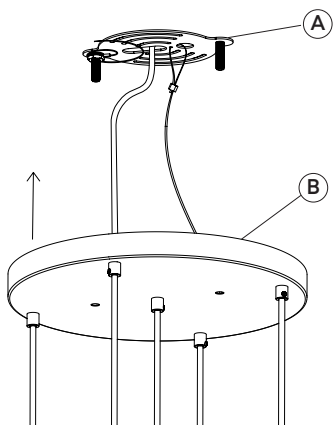




STEP 5

Connect the pendants, canopy and mains wiring as shown.

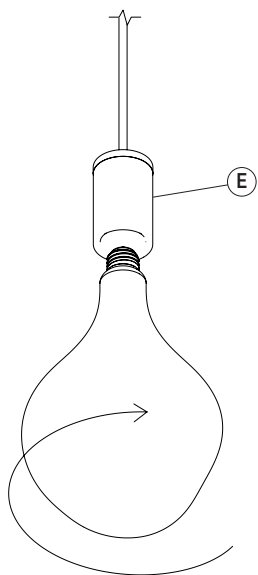
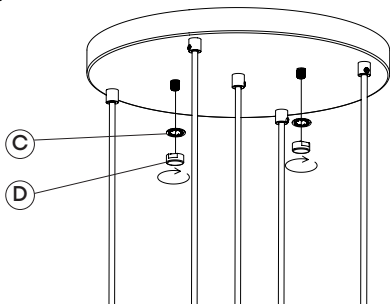




STEP 6

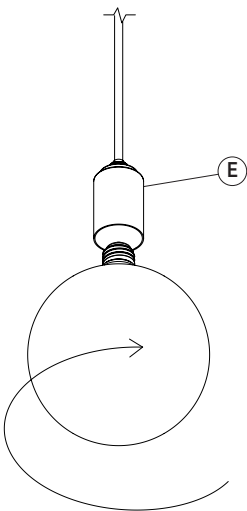
Move (B) up onto (A). Use toothed washer (C) and nut (D) to secure them in place.

Do a final tighten with the correct spanner.



STEP 7

Screw the bulbs clockwise into the pendants (E) until secure.



WARRANTY AND AFTER-CARE

This product has a two-year warranty. If there appears to be a functional defect with the product during this time, please contact our team at customerservice@tala.co.uk.

Please note, the flexible cable attached to this luminaire cannot be replaced; if the cable is damaged, recycle the luminaire and seek a replacement.

Join the Community

Instagram: @tala | Facebook: talaHQ | Pinterest: TalaLED | Tag: lighttoliveby
Tala Energy Ltd. 25B Vyner Street, London, E2 9DG | hello@tala.co.uk
Tala North America Inc. 909 Rose Avenue, Suite 660, North Bethesda, MD 20852
United States