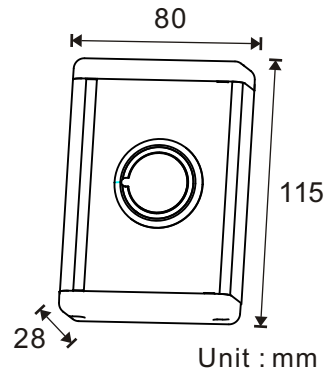




**NEITB58W**



※Please make sure no object (Including protection stickers) is blocking the infrared sensing panel before use.

### Features:

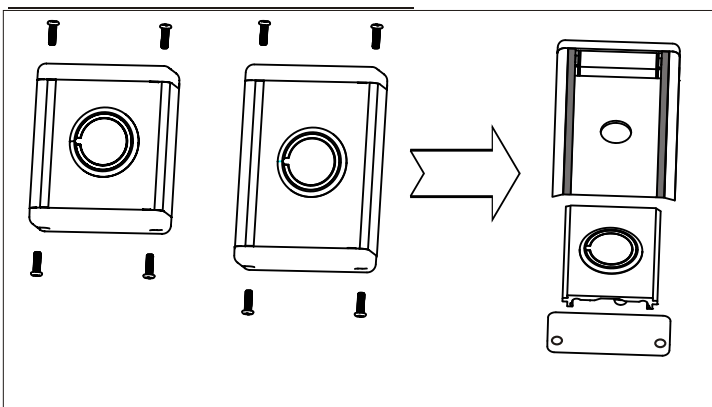
- Activated by Infrared Touchless Sensor. It is suitable for access control systems that are widely used in public areas such as hospitals or restaurants. It can also be used as an auto-control detection.
- Built-in micro-controller with power on self testing function.
- Specially designed to prevent any interference from other infra-red.
- Double color status LED, adjustable proximity range.
- Door opening time: is able to set trigger state (0.5~30sec) or toggle mode output
- Operating temperature -10°C ~ +70°C.
- Sealing protection Infrared Button - IP65

### Specifications:

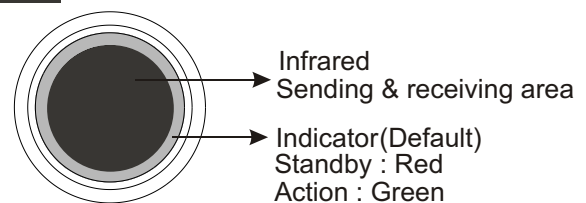
Power input	DC12V~DC24V (±15%)
Range	4~15CM(±25%) ※Note1
Output Loading	1A@DC30V(Max.)
Output State	Trigger state (0.5~30sec) or toggle mode output
Life Time	Infrared sensor:100,000 hours / Relay mechanical lifespan:1,000,000 times
Indicator	Standby: RED ; Action: GREEN (Colour of indicator LED is adjustable)
Case	Stainless Steel / PC / Aluminum Alloy
Current Consumption	Maximum current 45mA@DC24V
Weight	270g

※ Note1: Different materials have a different reflective rate. The value of the chart is based on the test of 18% neutral gray card.

### Panel and Connections:

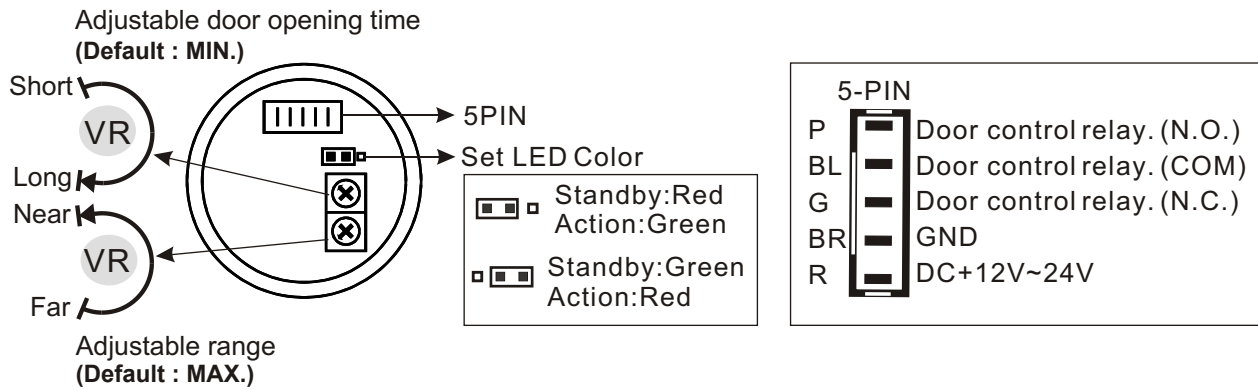


#### Front

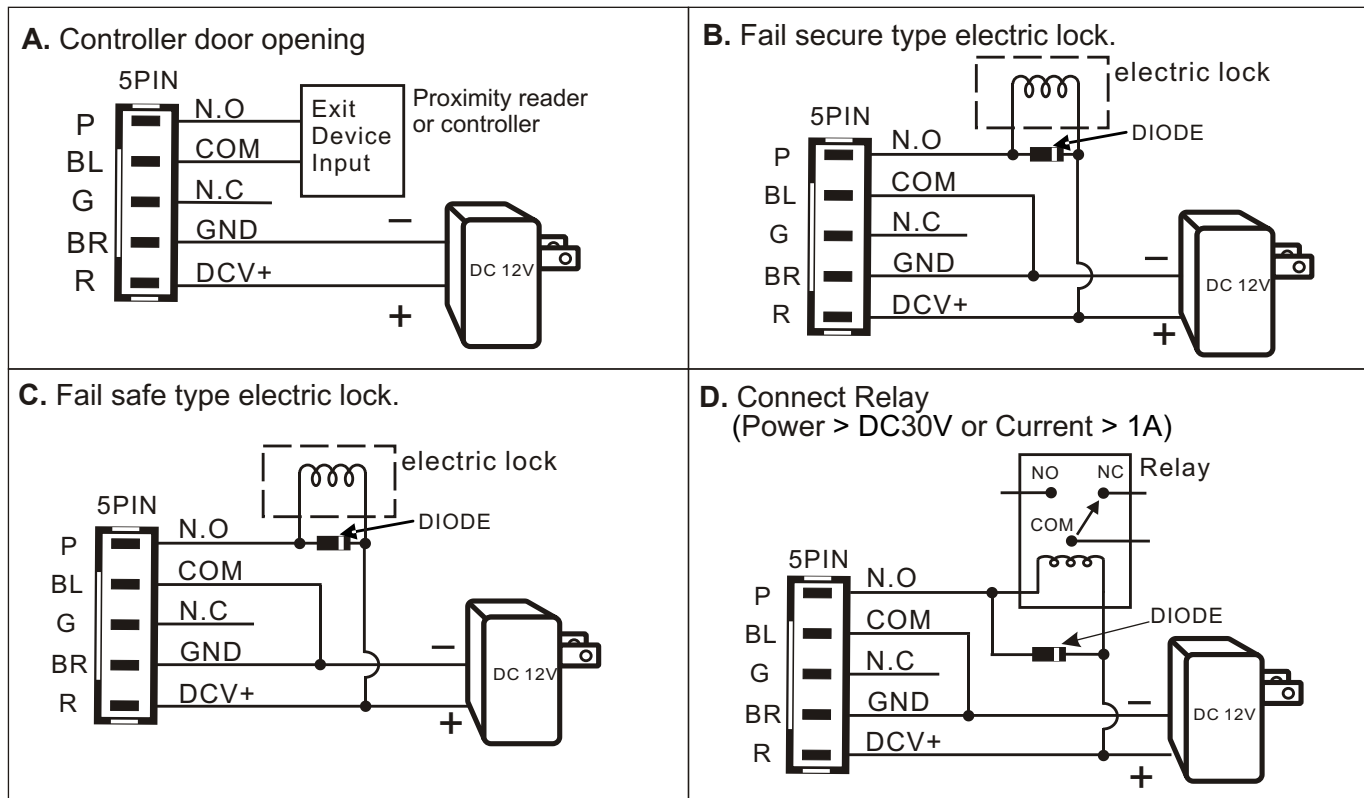


※ In order to ensure the operation of the infrared switch, please make sure no objects or any obstacles are within 30cm & 60° on the left and right of the front panel of the switch to avoid any interference.

## Back



## Example of Connections:



※ Please connect a diode when the control terminal is loading in order to absorb any surge to prevent damage to the sensor.

## Troubleshooting

Q : Always on action mode (indicator light does not change).

A : 1. Please wipe the surface clean such as oil stain, liquid drops or marks and remove any objects in front of the proximity that may interfere with its proximity range.

2. Please adjust the proximity distance. A Shorter distance may avoid interference.

3. Please check the voltage. Lower voltage may shorten the proximity distance or cause the switch to be unable to function.

4. Please check the delay setting time. If it is being set as too long or Toggle mode, it might affect its operation.

Q : Proximity failed even though the infrared switch's power light is on.

A : 1. Please adjust the proximity distance to check if it is too short.

2. Please check the current (12V~24V). The switch will not function if the voltage is incorrect.

## Precautions:

- Installation or modification to the system should only be carried out by qualified person.
- Self testing function : Green light on for one second and no action from Relay - red light on to complete power on self testing.

## Warranty

Neptune Security Products warrants that this product to be free from defects in materials and workmanship for a period of one (1) year from date of purchase. In the event of failure, Neptune Security Products will replace or repair the product at its sole discretion, and will not be responsible for any loss or damages in association with uses of its products. This warranty does not apply in the event of accidental damage and improper use, abuse, misuse, non approved purpose or act of God