



Premium Shelving Kit

Assembly instructions

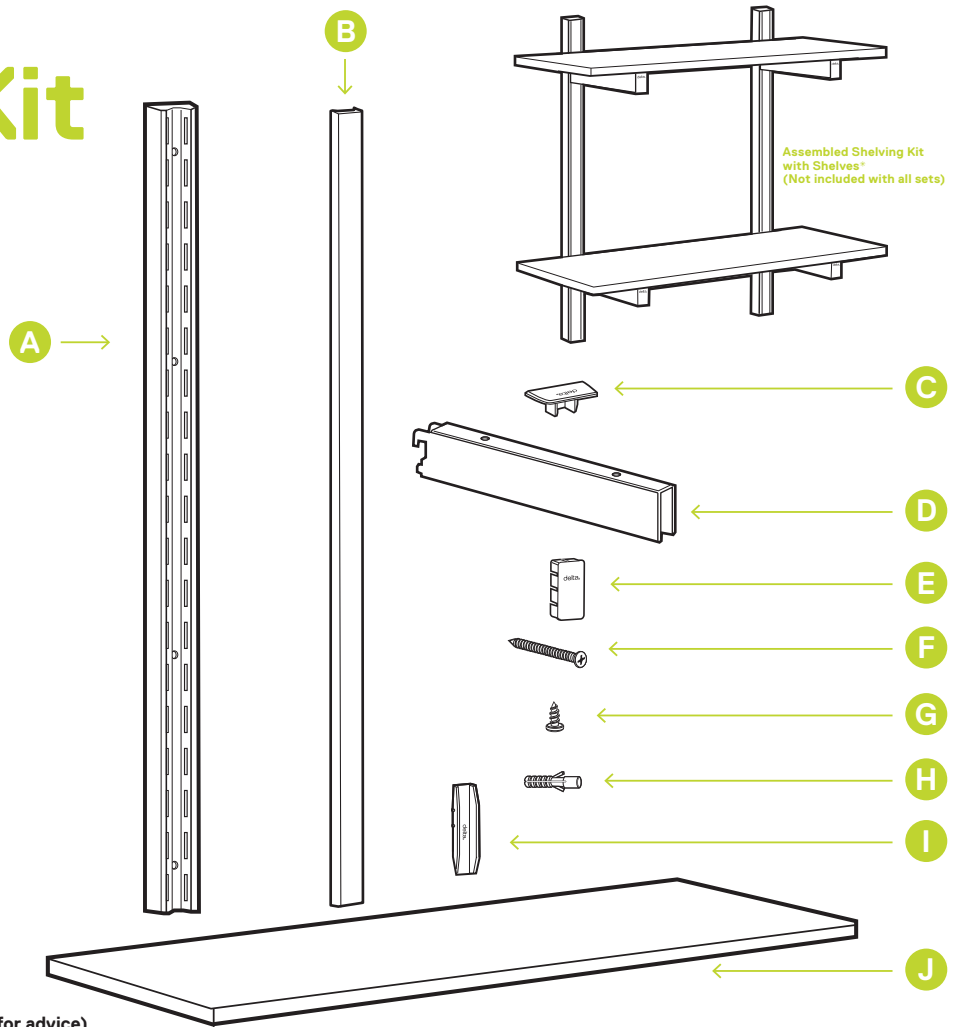
Parts

- A** x2 — Aluminum Slotted Upright
- B** x4 — Cosmetic Cover
- C** x4 — Upright End Caps
- D** x4 — Arms* (x6 PS1003)
- E** x4 — Arm End Caps* (x6 PS1003)
- F** x8 — Wall Screws
- G** x8 — Shelf Screw* (x12 PS1003)
- H** x8 — Drywall Anchors
- I** x1 — Connector Alignment Piece
- J** x2 — Shelf* (Not included with all sets)

Tools Required

- Hand Drill
- 1/8" (3mm) drill bit for attaching to wood studs
- 5/16" (8mm) drill bit for attaching to concrete walls
- Magnetic Phillips Drill Bit
- Spirit Level
- Tape Measure

Way of locating studs within the wall (see hardware store for advice)

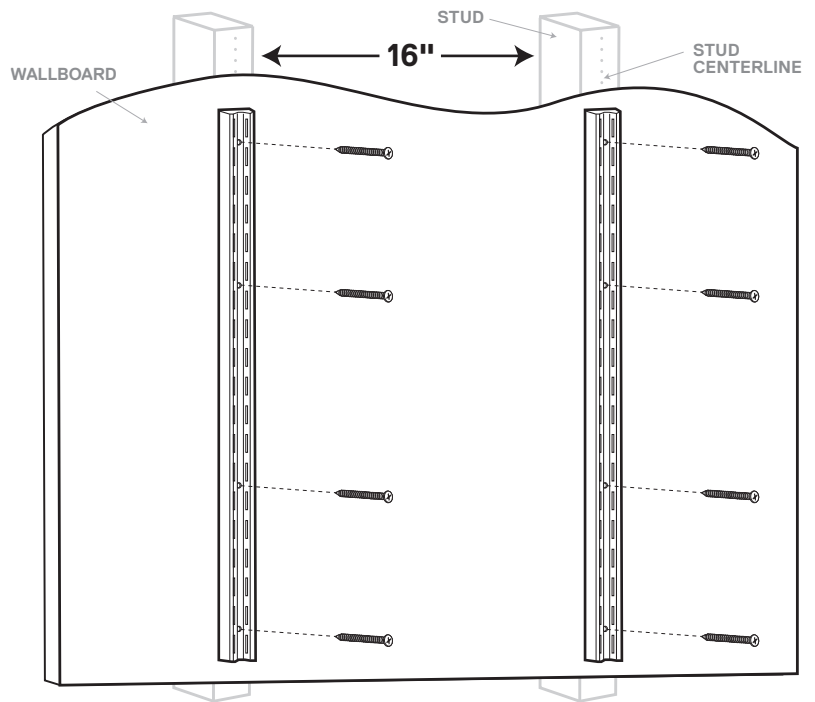


1 Place uprights against located stud on wall and mark location for holes. Use a spirit level to make sure it is vertically aligned. Ensure second upright is horizontally aligned and level with the first upright, when marking locations for holes. Drill 1/8" (3mm) pilot holes. Then secure the uprights to wall using screws provided.

NOTE: If mounting to a drywall, use the included drywall anchors (Part H). Drywall anchors require 5/16" (8mm) pilot holes. Once holes are drilled gently tap drywall anchors into place, then secure uprights using screws provided.

*Installing into wood studs is the recommended method.

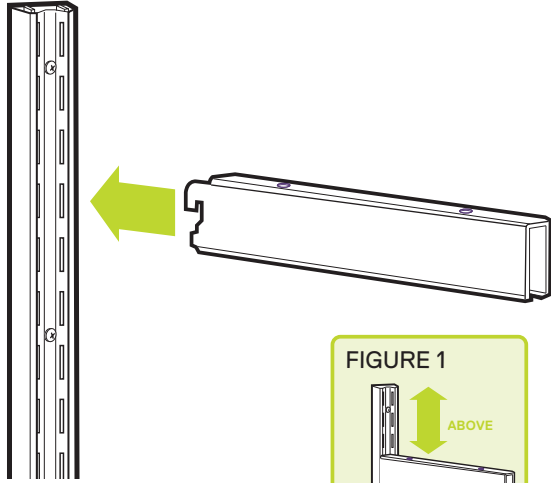
IMPORTANT SAFETY NOTE
Beware of drilling into electrical wire or pipes within wall!



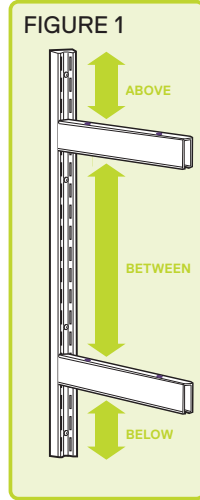
WARNING

Do not allow children to play or hang from Shelving Kit. Maximum weight 18 kg (40 lbs) per shelf arm, evenly distributed on properly installed rack into studs. Installing into a drywall will reduce the weight capacity

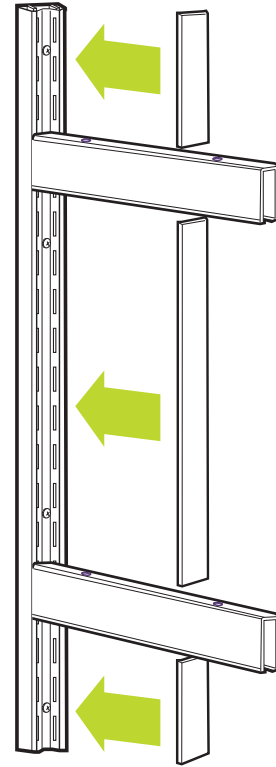
- 2** Choose desired positions for arms (Part D).
Insert into place, by hooking into slot.



Once position is confirmed, measure the distance above, between and below each arm. This will give you the size for cosmetic cover. (FIGURE 1)

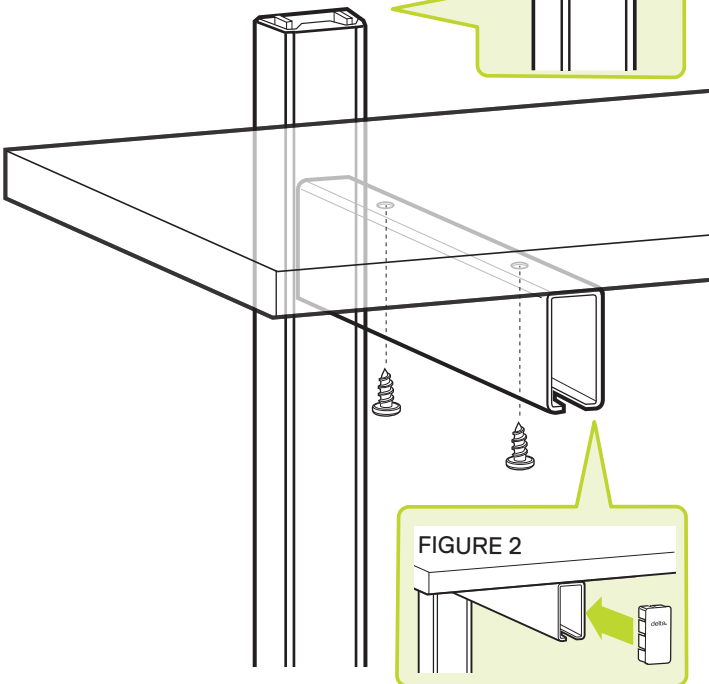
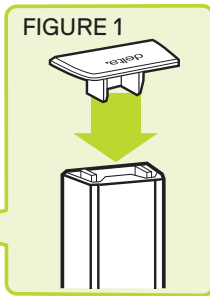


- 3** Use scissors or utility knife to cut cosmetic cover (Part B) to the determined height and insert into upright. Slide or press the cosmetic pieces into the groove at the front of the upright.



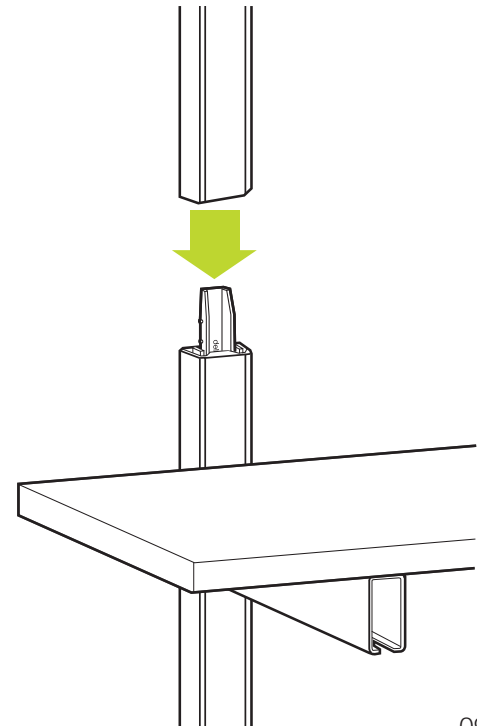
- 4** Assemble shelves (Part J)* using shelf screws (Part G)*

- 5** Assemble upright end caps (Part C) to uprights. (FIGURE 1)
Assemble arm end caps (Part E) to arms. (FIGURE 2)



Expandable Option

When aligning multiple racks vertically, use the included connector alignment piece (Part I). First, slide the lower half of the connector alignment piece into the lower upright. Then slide the upper upright onto the top half of the connector alignment piece.



092322

