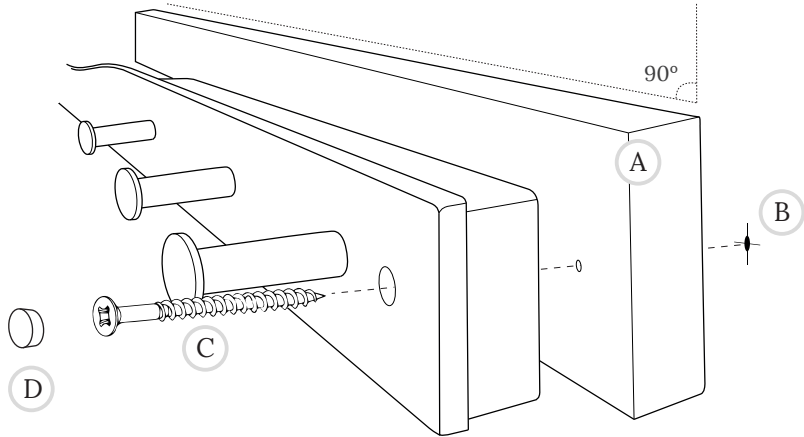


Burgh Coat Hook Installation Instructions



*** The Burgh Coat Hook is a unique design from Tom Raffield, featuring an 'unsupported bend'. Due to the inherent nature of steam bending, an unsupported bend could gradually untwist over time unless supported/fixed in place. We have included a batten to support the twist during transit and storage which is also used to mark the fixing hole positions for the shelf. Once removed from the support batten, the Burgh Coat Hook should be installed as soon as possible to minimise the risk of the twist unbending (30 minutes max). ***

*** The Burgh Coat Hook can carry a maximum of 12kg of evenly distributed weight when properly mounted on the wall. The brass capped pegs can carry a maximum of 2kg per peg. ***

1. Identify if there are any hidden pipes or electrical cables in the wall to avoid causing damage or risk of electrical shock during installation. **The wall must be capable of supporting the weight of the Burgh Coat Hook when fully loaded (13kg).** Determine the fixing method appropriate to the wall structure (e.g. plaster board plugs). We would always recommend finding joists if possible.
2. Using a Pozidriv screwdriver, carefully undo the screws holding the Burgh Coat Hook to the pine support batten (A) (these screws are no longer needed for the installation of the product and can be reused where possible). Align the batten on the wall using a spirit level and use the screw holes as reference points to pilot hole the wall ready for fixings/screws (B). (Please repurpose/reuse the pine batten elsewhere. It is made from untreated kiln dried timber so is also suitable for log burners)
3. Using the four additional screws provided (C) attach the Burgh Coat Hook to the wall ensuring each end is flush against the wall giving maximum support.
4. Gently tap in the wooden plugs provided (D), concealing the screws to complete the installation.

*** The Burgh Coat Hook is intended for indoor use only.***