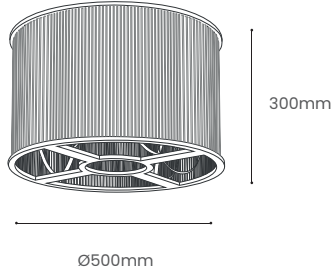


CAGE PENDANT

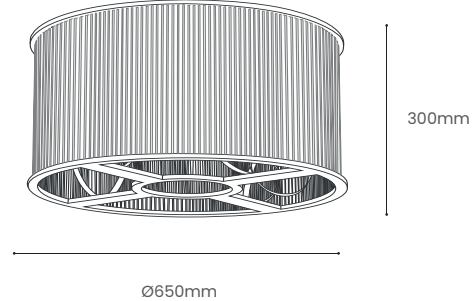
Product Specification

Tom Raffield

Cage Pendant



Cage Pendant Large



Steam bent ash spirals somersault within a fine dowel cage. Playing with perspective, our Cage Lighting Range sees freedom and constraint collide – with dramatic impact.

A riot of energy by day, a shower of shadows by night. On or off, the Cage's interplay of textures, movement and light invites a closer look. Corkscrewing behind a delicate yet rigid birch surround, it epitomises the spirit of nature – commanding and wild in perfect measure.

Add drama. Add depth. See differently.

The Cage Lighting Range is also available as a floor light.

Product Type : Pendant Light	SKU	Wood types	Dimensions L x W x H (mm)		Weight (kg)	
			Unboxed	Boxed	Unboxed	Boxed
Cage Pendant	TR-CGE-P-AB-NEW	Birch + Ash	Ø500 x 300	615 x 615 x 390	1.45	5.3
Cage Pendant Large	TR-CGE-P-AB-LRGE	Birch + Ash	Ø650 x 300	725 x 725 x 510	1.65	5.5
Materials	Birch	Ash	Other materials			
			Birch dowel			
Finish	Non-toxic, hard wearing water based varnish - satin					
Wiring kit option : 1	Black ceiling rose and brass bulb holder		Ceiling kit	Flex	Recommended light bulb	
			Ceiling rose: Ø100mm E27 (240v) / E26 (110v)	Flex colour: black fabric Flex length: 2m (Adjustable)	Max 25W LED	
Wiring kit option : 2	Brushed steel ceiling rose and bulb holder		Ceiling kit	Flex	Recommended light bulb	
			Ceiling rose: Ø100mm E27 (240v) / E26 (110v)	Flex colour: light grey fabric Flex length: 2m (Adjustable)	Max 25W LED	
Care information	Dusting your light regularly and with a light feather duster should keep your light looking clean, otherwise wipe with a damp cloth and remove any moisture with a dry cloth. Gentle furniture polishes can also be used.					
Additional information	<ul style="list-style-type: none"> This light can be used with your existing E27/E26 pendant fitting. Suitable for use on 240v and 110v circuits. A shade ring adaptor can be fitted so the light can be used on a bayonet (B22) pendant fitting. Installation instructions included. 					