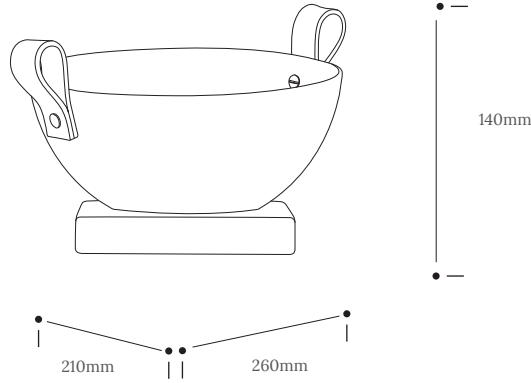


MYLOR BOWL

Product Specification

Tom Raffield

Mylor Bowl



Nestled upon a sustainably sourced, solid oak plinth stands a striking, hand-glazed earthenware bowl. The Mylor Bowl can be angled to proudly display its contents or carried by the twin looping leather tan handles to move it from room-to-room. From salad or fruit to houseplants and herbs, the Mylor Bowl's elegant aesthetic provides the perfect space to elevate everyday home essentials in living rooms, dining rooms and kitchens.

Showcasing our signature Scandi aesthetic, the Mylor Bowl adds the perfect finishing touch to any room and makes the perfect feel-good, sustainable gift for loved ones.

Endless versatility, curated by you.

| Product Type : Accessories | SKU | Wood types | Dimensions L x W x H (mm) | | Weight (kg) | |
|----------------------------|---|-------------|---------------------------|---|-------------|-------|
| | | | Unboxed | Boxed | Unboxed | Boxed |
| Mylor Bowl | TR-GR-MYLR-BWL | Oak | 260 x 210 x 140 | - | 1.0 | - |
| Materials | Oak | Earthenware | Leather | Other materials Brass Chicago Screws | | |
| Finish | Finished with a blend of natural wax oils to give a protective, hardwearing and beautiful finish. | | | | | |
| Care information | <ul style="list-style-type: none"> Finish: The blend of natural oils can take up to four weeks to harden fully. Because of this, particular care should be taken in the first few weeks after delivery before cleaning, see below. Care: Solid wood may expand and shrink with differences in temperature and humidity so take care not to place your furniture directly next to anywhere with excessive changes in temperature such as radiators and windows. Cleaning: To clean on a regular basis wipe the surface with a damp cloth before removing any moisture with a dry cloth. Wipe off anything that will stain straight away, eg red wine, balsamic vinegar, oil, tea, coffee, alcohol, etc. In the event of severe spillages and stains the surface can be lightly re-sanded and re-oiled - please talk to us or a professional furniture restorer before doing so. | | | | | |
| Additional information | <ul style="list-style-type: none"> Product care instructions included. | | | | | |