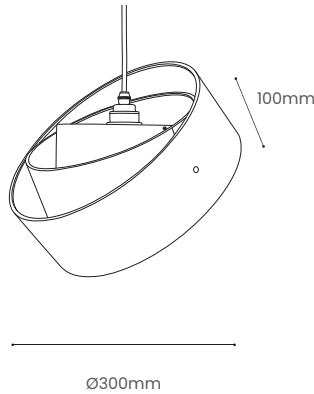


SEMPER PENDANT

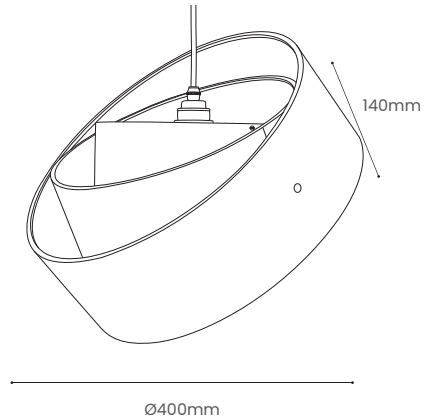
Product Specification

Tom Raffield

Semper Pendant Small



Semper Pendant

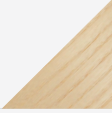









Centred around the Latin word for ‘always’, Semper’s shifting form and changeable lighting effects is representative of the seasonal movement and varying light levels of the Sun’s path. Inviting change with its tilting layers, Semper caters for multi-tasking modern spaces and passes the curation of home lighting to the hands of the user.

Handcrafted from sustainably sourced FSC oak or walnut wood, the Semper Pendant features a centralised, cylindrical wooden frame secured by a solid brass axis and two rotating outer timber layers. Adaptable and intuitive by design, the versatile Semper Pendant can be positioned to eclipse its bulb by aligning all three layers in a horizontal ‘drum’ formation for a dramatic downlight, or angled to guide focussed beams of light by tilting each section to release a bright, directional display wherever you need it.

Well suited as a standalone centrepiece, or as a self-curated constellation for greater impact. This clever wooden pendant is available in two sizes and will create a beautiful ambience in hallways, bedrooms and living spaces alike.

Take control. Embrace change. Surprise your space.

Product Type : Pendant Light	SKU	Wood types	Dimensions L x W x H (mm)		Weight (kg)	
			Unboxed	Boxed	Unboxed	Boxed
Semper Pendant Small	TR-SEMP-P-A-SML	Ash	Ø300 x 100	475 x 305 x 475	0.325	
	TR-SEMP-P-O-SML	Oak				
	TR-SEMP-P-W-SML	Walnut				
Semper Pendant	TR-SEMP-P-O	Oak	Ø400 x 140	475 x 305 x 475	0.507	
	TR-SEMP-P-W	Walnut				
Materials	Ash 	Oak 	Walnut 	Other materials Birch ply hanging disk 		
Finish	Non-toxic, hard wearing water based varnish – satin					
Wiring kit option : 1	Black ceiling rose and brass bulb holder 	Ceiling kit	Flex	Recommended light bulb		
		Ceiling rose: Ø100mm E27 (240v) / E26 (110v)	Flex colour: black fabric  Flex length: 2m (Adjustable)	Max 25W LED		
Wiring kit option : 2	Brushed steel ceiling rose and bulb holder 	Ceiling kit	Flex	Recommended light bulb		
		Ceiling rose: Ø100mm E27 (240v) / E26 (110v)	Flex colour: light grey fabric  Flex length: 2m (Adjustable)	Max 25W LED		
Care information	Dusting your light regularly and with a light feather duster should keep your light looking clean, otherwise wipe with a damp cloth and remove any moisture with a dry cloth. Gentle furniture polishes can also be used.					
Additional information	<ul style="list-style-type: none"> This light can be used with your existing E27/E26 pendant fitting. Suitable for use on 240v and 110v circuits. A shade ring adaptor can be fitted so the light can be used on a bayonet (B22) pendant fitting. Installation instructions included. 					