




Wall Mounted Rail Rack


Assembly instructions WM4000/WM6000

Parts


- A** x2 — Wall Plates (x3 FR6000)
- B** x2 — Short Hooks (x3 FR6000)
- C** x2 — Long Hooks (x3 FR6000)
- D** x8 — Wheel Trays (x12 FR6000)
- E** x4 — C Clips (x6 FR6000)
- F** x6 — Lag Bolts (x8 FR6000)
- G** x6 — Zinc Plated Washers (x8 FR6000)
- H** x3 — Mounting Brackets (x4 FR6000)
- I** x2 — End Caps
- J** x2 — Joiner Pieces (x3 FR6000)

Tools Required

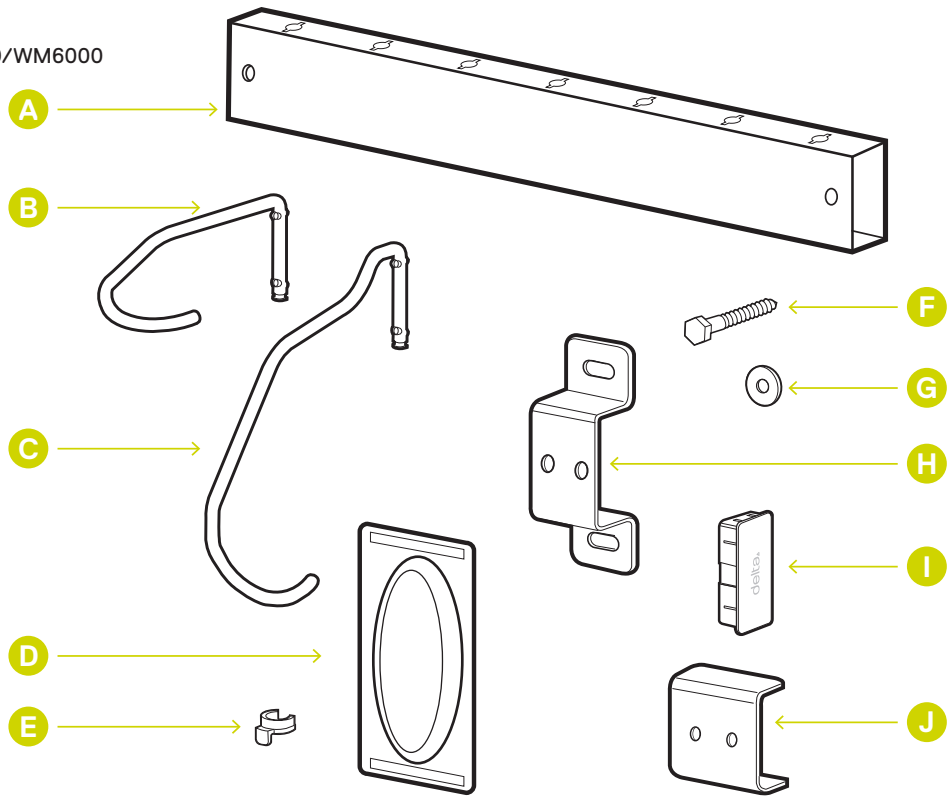
Hand Drill 1/7" (3mm) Drill bit for installing into wood studs 

Socket Wrench (10mm) 

Spirit Level 

Tape Measure 

Way of locating studs within the wall (see hardware store for advice)

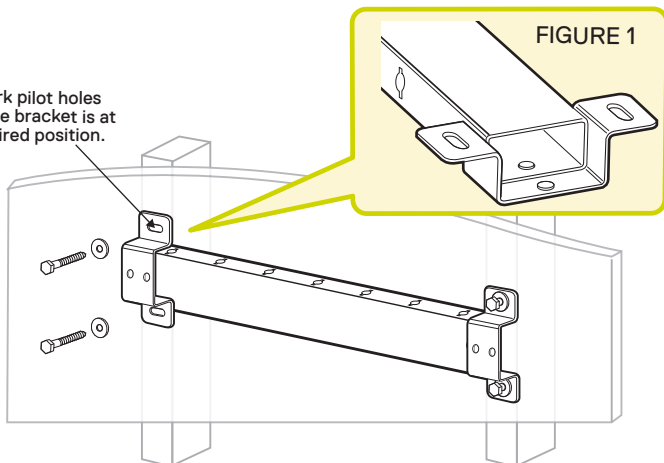


1 Place two wall mounting brackets onto the first wall plate. (FIGURE 1)

NOTE Ensure the raised area behind the wall mounting plate is seated in the wall plate.

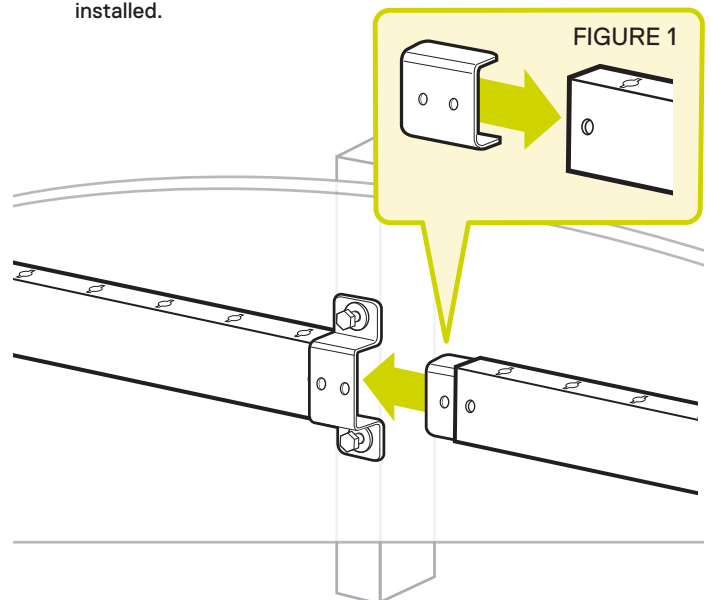
2 Place wall plate and mounting brackets at the desired position on the wall and mark pilot holes. Drill pilot holes into wood studs using 1/7" (3mm) drill bit. Install the wall plate and mounting brackets with lag bolts and washers.

Mark pilot holes once bracket is at desired position.



3 For additional wall plates, connect the joiner piece (FIGURE 1) to the wall plate. Slide the connector piece into the already installed wall plate.

Do not fully tighten the bolts until all wall plates have been installed.



WARNING

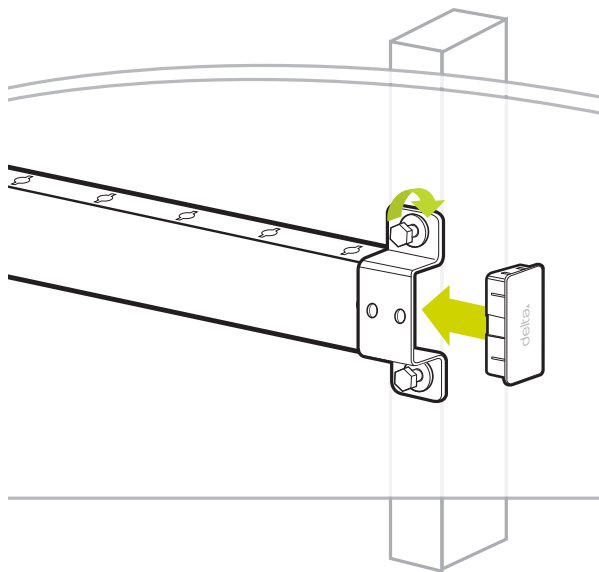
Do not allow children to play or hang from rack. Maximum weight capacity on properly installed rack is 75 lbs (22.7 kg) per hook, not to exceed two bikes per wall plate. Note: This rack should only be mounted to wood studs.

4 Install the end caps by pressing them into the far ends of the outermost wall plates.



NOTE

All mounting screws can now be fully tightened. The wall rack can be micro adjusted before all bolts are tightened.

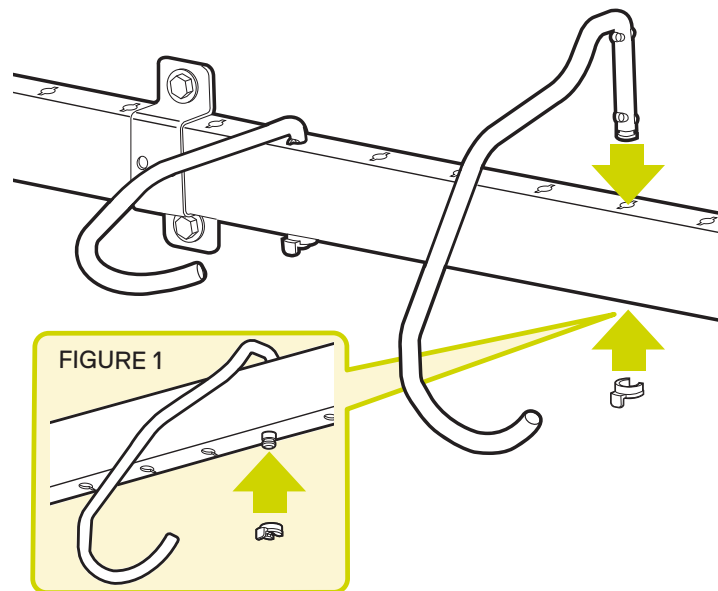


5 Place keyed hooks into desired slot in the wall plate ensuring that the keyed hooks line up with the slots in the wall plate. Then on the underside of the wall plate install the clip into the indentation on the bottom of the hook. (FIGURE 1)

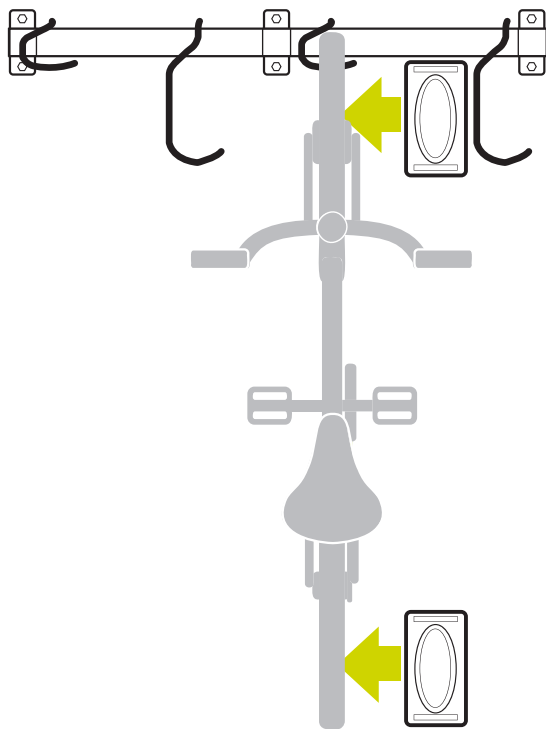


NOTES

A) For optimizing your storage space it is recommended to alternate short and long hooks.



6 To determine the placement of the wheel tray hang bike in desired location. Place wheel tray on the wall at the center of the rear wheel and mark this location. Then remove the bike and install the wheel tray at marked location by removing the sticky pad protector and applying pressure to the wheel tray against the wall.

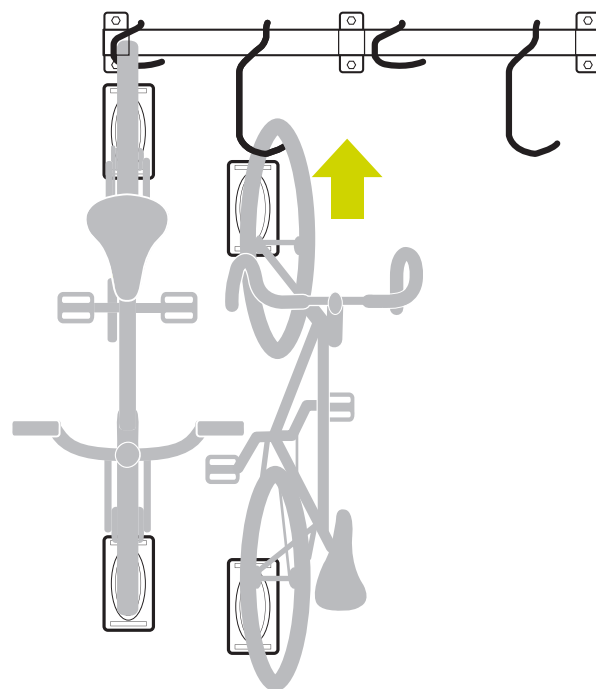


7 To hang bikes vertically it is recommended to roll the bike on the back wheel towards the desired hook. Then lift the bike carefully placing the front wheel onto the hook protective pad.



NOTE

Bikes can also be mounted to the hooks by the rear wheel.



110122

