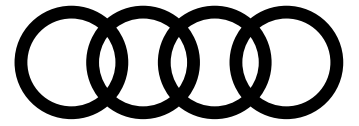


A3

Sportback



 **PREMIUM AUTOMOBILES**

281 Alexandra Road Singapore 159938 Tel: 6836 2223
55 Ubi Road 1 Singapore 408699 Tel: 6366 2323

TECHNICAL DATA

A3 Sportback 1.5 TFSI S tronic

ENGINE

Propellant	Petrol
Type	4-cylinder inline engine with turbocharging and intercooling
Valves	16
Engine capacity	1,498
Max output kW (hp)/rpm	110 (150) / 5,000 – 6,000
Max torque Nm/rpm	250 / 1,500 – 3,500

TRANSMISSION

Gearbox	7-speed S tronic transmission
Drive	Front wheel drive

PERFORMANCE

Acceleration 0-100km/h	8.4
Top speed (km/h)	232
Fuel consumption (combined) in l/100km	4.8
VES banding	A2
Start/stop system	Yes

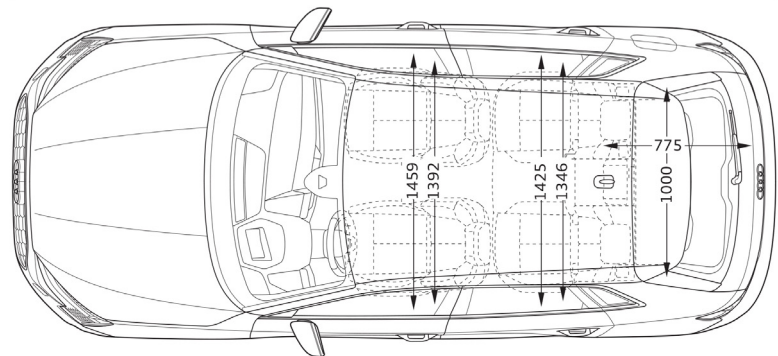
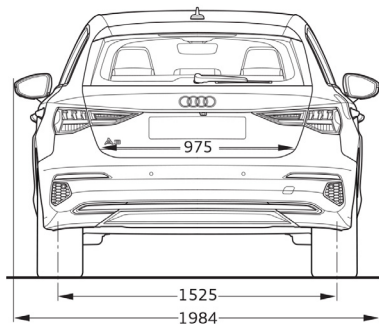
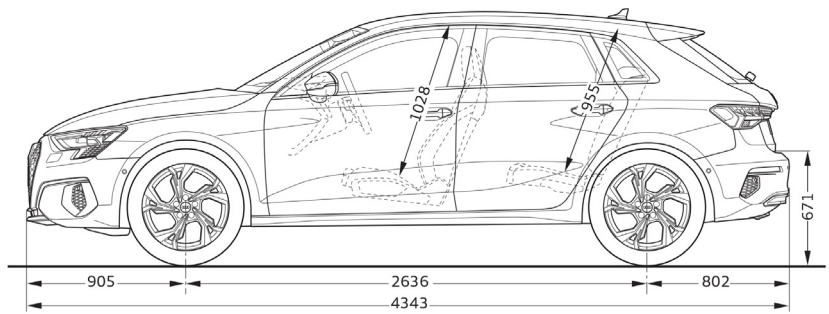
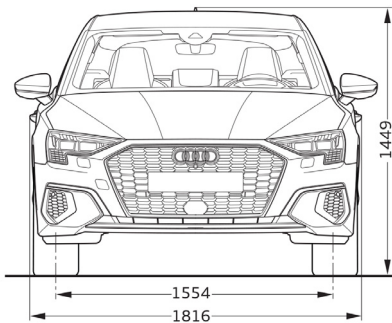
CHASSIS

Steering	Electromechanical power steering
Front suspension	MacPherson struts
Rear suspension	Multi-link

BRAKES

Front	Ventilated discs
Rear	Discs
Braking assistance	Anti-lock Braking System (ABS)

Measurements (All in mm)



Dimensions are based on technical data from Audi Germany.
Actual specifications may vary from models shown.

Wheelbase	2,636
Length	4,343
Height	1,449
Width (mirrors folded/unfolded)	1,816 / 1,984
Track (front/rear)	1,554 / 1,525
Kerb weight (kg)	1,320
Turning circle (m)	11.1
Luggage volume (litres)	380
Fuel tank (litres)	50

STANDARD EQUIPMENT

	A3 Sportback 1.5 TFSI S tronic
SAFETY	
Front side airbags with head airbag system	•
Full-size airbags for driver and front passenger	•
ISOFIX and top tether for outer rear seats	•
TECHNOLOGY AND ASSISTANCE SYSTEMS	
48V mild hybrid system	•
Audi drive select	•
Audi pre sense basic	•
Convenience key (without safelock)	•
Cruise control	•
Hold assist	•
Lane departure warning	•
Luggage compartment lid, manually operated	•
Park assist with reversing camera	•
EXTERIOR DESIGN	
Exterior mirror housings in body colour	•
Exterior mirrors electrically adjustable, heated and folding, automatically dimming on both sides	•
High gloss package	•
LED headlights with headlight cleaning system	•
LED rear lights with dynamic indicators	•
Roof edge spoiler	•
WHEELS	
Alloy wheels, 5-parallel spoke design, 8.0J x 17 with 225/45 R17 tyres	•
Tyre pressure loss indicator	•
Tyre repair kit	•
COMFORT	
2-zone deluxe automatic air conditioning	•
Ambient lighting package plus	•
Manually adjustable front sport seats with 4-way lumbar support	•
Seat upholstery in leather/leatherette mono.pur 550 combination	•
Storage and luggage compartment package	•
Windscreen with heat insulating glass	•
INTERIOR DESIGN	
Aluminium-look interior	•
Decorative inserts in dark aluminium spectrum	•
Frameless interior mirror with automatic dimming	•
Sport contour leather steering wheel, 3-spoke, flat-bottomed with multifunction plus and shift paddles	•
INFOTAINMENT	
Audi connect*	•
Audi smartphone interface	•
Audi virtual cockpit plus	•
MMI radio plus	•
USB charging ports at rear	•

Audi virtual cockpit plus



Electronic gear selector



Rear lights with dynamic indicators



Actual specifications may vary from model shown.

*Audi connect - Audi connect emergency call and service with Audi connect remote and control.

Information is accurate as at June 2021.