

ART 615

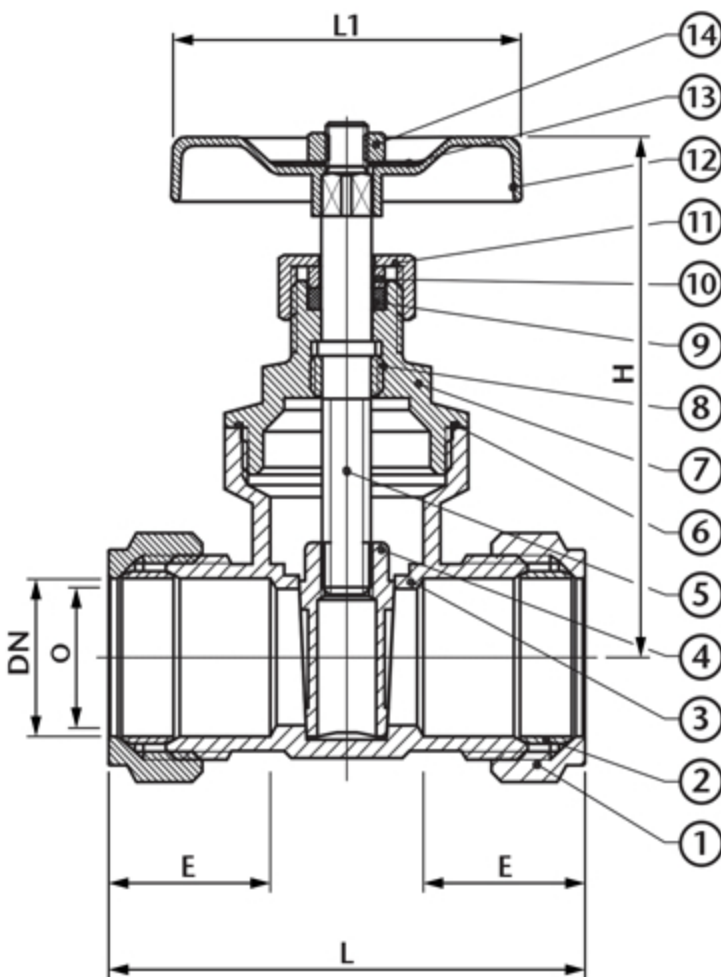
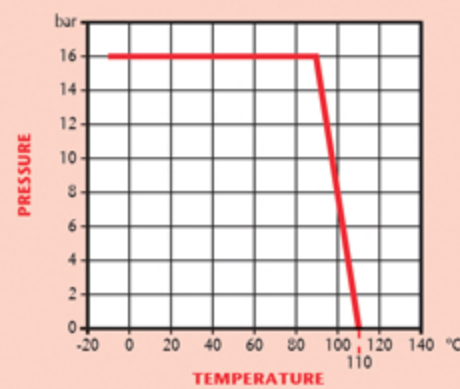
PN16 Brass Gate Valve

Features

- Compression Ends
- Brass Body & Wedge
- BS5154



Pressure / Temperature



DN	15	22	28	35	42	54
O	13	19	25.5	32	38	80
E	20	24	24.5	33	33	40
L	60	68	77	93	97	116
L1	50	50	58	77	77	100
H	66	72	87	132	134	164

N.	Part Name	Materials
1	Compression Nut	Brass
2	Olive	T2
3	Body	Brass
4	Wedge	Brass
5	Stem	Brass
6	Seat	PTFE
7	Bonnet	Brass
8	Lock Ring	Brass
9	Packing	PTFE
10	Packing Gland Washer	Brass
11	Packing Gland Nut	Brass
12	Handle Wheel	Iron
13	Name Plate	Aluminium
14	Nut	Brass/Copper Plated

Technical Data

Max Pressure	16 Bar
Working Temperature	-10°C to +110°C