

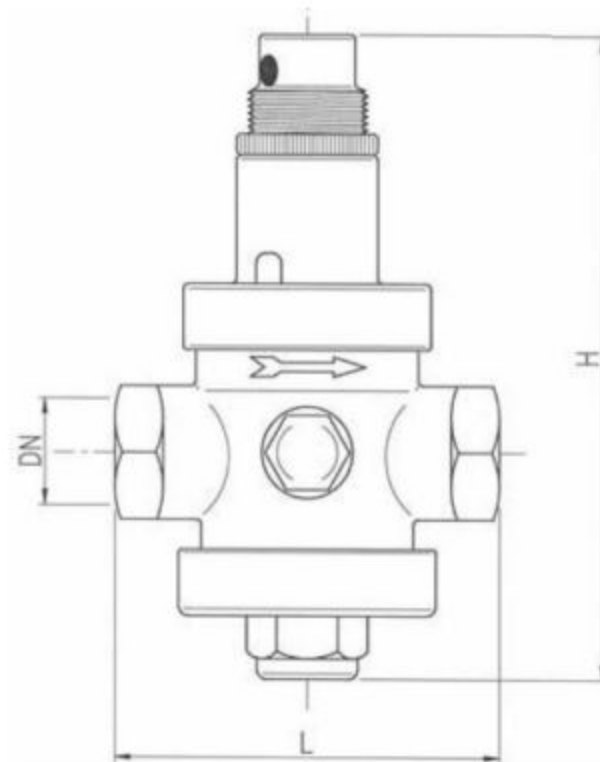


## Brass Pressure Reducing Valve – 25 Bar Inlet 4 & 6 Bar

### Features

- Pressure Reducing Valve
- Brass body
- Union, Screwed and Compression End connections
- Sizes: 1/2" to 2" and 22mm
- Maximum outlet pressure of 0.5 to 6 Bar

Dimensions			
DN	L	H	Kg
1/2"	75	120	0.94
3/4"	85	150	1.6
1"	89	160	1.72
1 1/4"	125	220	3.22
1 1/2"	130	220	3.4
2"	138	250	5.06
2 1/2"	145	260	5.36
3"	177	285	5.8
4"	190	310	6.88



Materials	
Body	Brass CW617 N UNI EN 12165
Internals	Brass CW617 N UNI EN 12164
Seat	Stainless Steel 303
Stem	Brass CW61 N UNI EN 12164
O rings	NBR/FP75N
Flat Gaskets	Fasit
Plastic Parts	Ultramid A3K