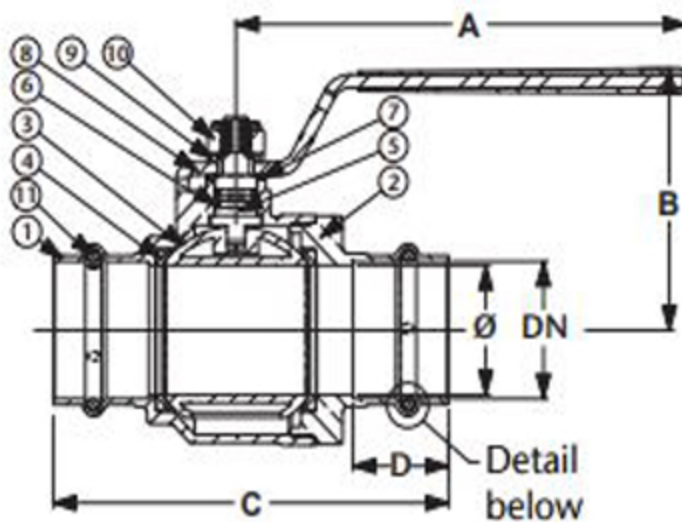


ART 55 PRS DZR Press Ball Valve



'M' Press
(DN42)



'M' Press
(DN54)



'V' Press
(DN42+54)



NB: Sizes 15mm to 35mm can be pressed with both 'M' and 'V' press jaws. Always use the appropriate 'M' or 'V' press sling to press sizes 42mm and 54mm

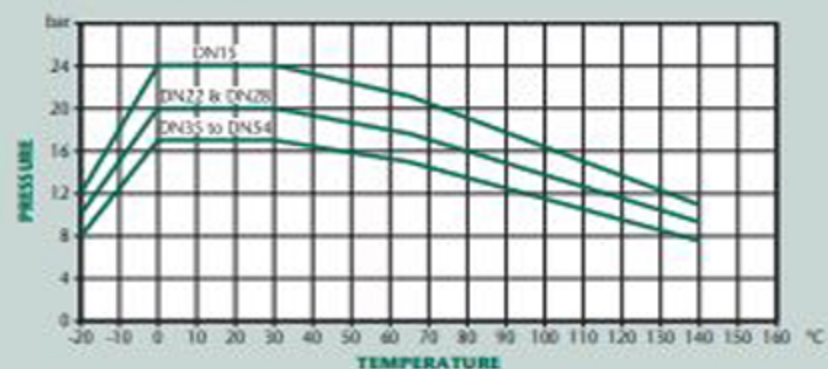
Technical Data

Max Pressure	24 Bar (DN15), 20 Bar (DN22 & DN28), 17 Bar (DN35 to DN54)
Working Temperature	-20°C to +140°C

Features

- Universal M & V Profiles 15mm to 35mm
- Dedicated M&V Profiles 42mm to 54mm (see diagram)
- Full Bore
- Thermal Extension available
- WRAS Approved
- 5 Year Warranty
- Suitable for cold pressure connection to stainless steel, copper and carbon steel pipes

Pressure / Temperature



DN	15	22	28	35	42	54
A	90	90	110	110	150	150
B	47	52	57	66	81	88
C (M Press)	78	91	99	107	133	155
C (V Press)	78	91	99	107	133	163
D (M Press)	22	25	27	27	32	33
D (V Press)	22	25	27	27	32	37
Kgs	0.19	0.31	0.49	0.72	1.17	1.66 (M) 1.75 (V)

N.	Part Name	Materials
1	Body	DZR Brass
2	Screwed End	DZR Brass
3	Ball	Brass Chrome Plated
4	Ball Gaskets	PTFE
5	Stem	Brass
6	O-Ring	FKM 70 SH
7	Anti-Friction Ring	PTFE
8	Handle	Steel
9	Washer	Brass
10	Self-Locking Nut	Steel
11	O-Ring	EPDM 70 PEROX