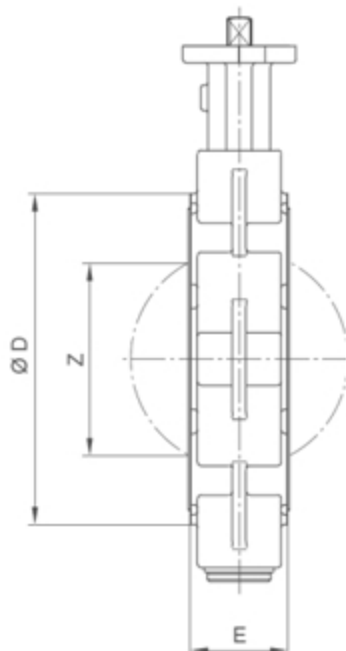
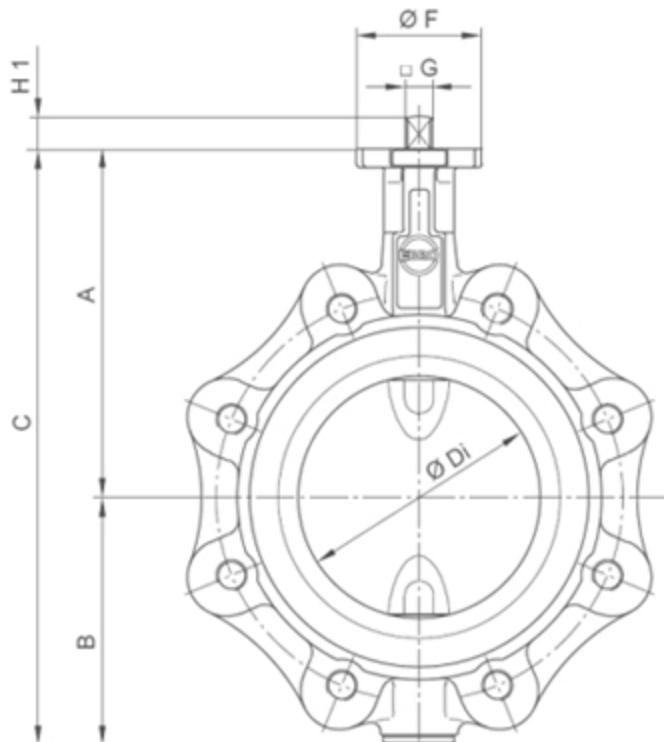


EBRO Lugged Butterfly Valve

Stainless Steel Disc/EPDM PN16 Features

- Available Manual or Actuated
- Direct Mount for ISO 5211
- Resilient Seated Valve
- DN 20 – DN 600"



Technical data

Nominal diameter:	DN 20 – DN 600 (DN 20 only PN10/16)
Face-to-face:	EN 558 Series 20 ISO 5752 Series 20 API 609 Table 1
Flange accommodation:	EN 1092 PN 10/16 ASME Class 150 AS 4087 PN 16
Flange Surface Design:	EN 1092 Form A/B ASME RF, FF
Top flange:	EN ISO 5211
Marking:	EN 19
Tightness check:	EN 12266 (Leakage Rate A) ISO 5208, Category 3
Temperature range:	-40 °C bis + 200 °C
Max. Operating pressure:	max. 16 bar

Pos.	Designation	Material ASTM	Mat. no.
1	Body	Cast iron	GGG-40 0.7040 / 60-40-18
		2	Liner
EPDM	Ethylene-propylene rubber		
CSM	Chlorosulfonated polyethylene		
FPM	Fluorocarbon rubber		
VSI	Silicon rubber		
AU	Polyurethane		
3	Bearing bush	Brass	
4	Sealing ring DIN 7603	Copper	Cu Copper
		5	Screw plug DIN 908

Pos.	Designation	Material	Mat. no.	ASTM	
6	Shaft/disc one-piece design Disc	Stainless steel	G-X5CrNiMo19-11-2 1.4408	CF8M	
			G-X5CrNiMoN26-7-4 1.4469	A995	
		Coatings	Halar		
		Surface finish	High gloss mirror polish		
7	Shaft	Stainless steel	G-X5CrNiMo19-11-2 1.4408	CF8M	
			X2CrNiMoN22-5-3 1.4462	F51	
			X5CrNiMo17-12-2 1.4401	316	
8	Scraper ring	PTFE	Polytetrafluoroethylene PTFE	PTFE	
9	Screw	Stainless steel	A4-70	1.4401 B8M	
		Further materials on request			