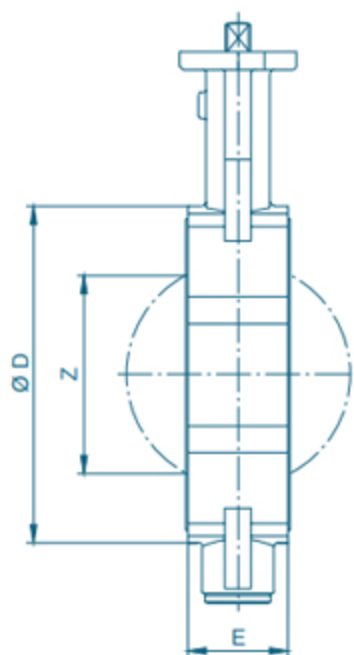
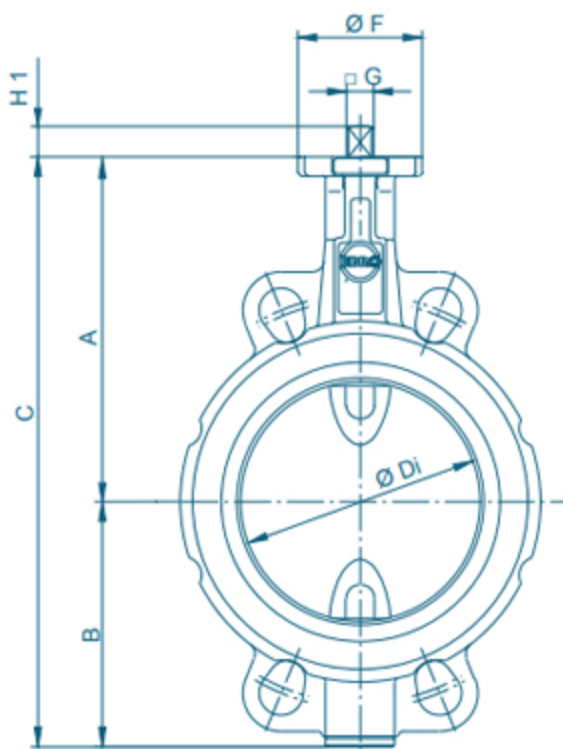


EBRO Z01 Wafer Butterfly Valve PN16

Stainless Steel Disk EPDM

Features

- ISO 5211 for Direct Mount,
- Flanges which suit PN6/10/16
- Size range: DN20-DN1200
- Lever operated, gearbox operated"



| Pt. | Description | Material | Material-No. | ASTM | |
|------|---------------------------|-------------------|---|---------------|----------|
| 1 | Body | Aluminium alloy | G-AlSi9Cu3 | 3.2163 | B 380.1 |
| | | | G-AlSi8Cu3 | 3.2161 | A 380 |
| | | Grey Cast Iron | GG-25 | 0.6025 | 40 B |
| | | Nodular Cast Iron | GGG-40 | 0.7040 | 60-40-18 |
| | | | GGG-40.3 | 0.7043 | |
| | | Carbon Steel | GS-C25 | 1.0619 | WCB |
| | Stainless Steel | G-X5CrNiMo19-11-2 | 1.4408 | CF8M | |
| 2 | Seat | NBR | Nitrile butadiene rubber | | |
| | | EPDM | Ethylene propylene diene monomer rubber | | |
| | | CSM | Chlorosulfonated polyethylene rubber | | |
| | | FPM | Fluorocarbon rubber | | |
| | | VSI | Silicone rubber | | |
| | | SBR-green | Styrene butadiene rubber | | |
| 3/4 | Bearing bush | Brass | MS 58 | 2.0401 | B 45 |
| | | Polyamide | PA 66 | | |
| | | PTFE | Polytetrafluorethylene | | |
| 5 | Seal DIN 7603 | Copper | Copper | | |
| | | | | | |
| 6 | Plug screw DIN 908 | Stainless Steel | G-X5CrNiMo19-11-2 | 1.4408 | CF8M |
| | | | | | |
| 7 | Set screw DIN 915 | Steel | 45 H galvanized | | |
| | | Stainless Steel | A4-70 | | |
| | | | | | B8M |
| 8 | Disc | Steel | St 52.3 | 1.0570 | 572-50 |
| | | Stainless Steel | G-X5CrNiMo19-11-2 | 1.4301 | 304 |
| | | | G-X6CrNiMo18-10 | 1.4408 | CF8M |
| | | | X2CrNiMo17-12-2 | 1.4404 | 316 L |
| | | | X6CrNiMoTi17-12-2 | 1.4571 | 316 Ti |
| | | | G-X2CrNiMoN26-7-4 | 1.4469 | F 51 |
| | Hastelloy | 2.4883 | | Hastelloy | |
| 9/10 | Shafts | Stainless Steel | X39CrMo17-1 | 1.4122 | |
| | | | X14CrMoS17 | 1.4104 | 430 F |
| | | | X5/(X2)CrNiMo17-12-2 | 1.4401/1.4404 | 316 |
| | | | Hastelloy | 2.4883 | |
| | | Aluminum Bronze | CuAl10Ni | 2.0975 | |
| 11 | O-ring | NBR | Nitrile butadiene rubber | | |
| | | FPM | Fluorocarbon rubber | | |
| | | | | | |
| 12 | TS-disc | Nodular Cast Iron | GGG-40 | 0.7040 | 60-40-18 |
| | | Stainless Steel | G-X5CrNiMo19-11-2 | 1.4408 | CF8M |
| | | Aluminium Bronze | G-CuAl10Ni | 2.0975 | |
| | | Coating | Halar, Rilsan | | |
| | | Surface quality | electropolished, mirror finished | | |
| 13 | TS-shaft | Stainless Steel | X14CrMoS17 | 1.4104 | 430 F |
| | | | X39CrMo17-1 | 1.4122 | |
| | | | X5CrNiMo17-12-2 | 1.4401 | 316 |
| | | Aluminum Bronze | CuAl10Ni | 2.0975 | |
| | | | | | |
| 14 | Sleeve | Stainless Steel | X5CrNi18-10 | 1.4301 | 304 |
| | | | | | |
| 15 | O-ring | NBR | Nitrile butadiene rubber | | |
| | | FPM | Fluorocarbon rubber | | |
| 16 | Retaining ring | Stainless Steel | X39CrMo17-1 | 1.4122 | |
| | | | | | |
| 17 | O-ring | NBR | Nitrile butadiene rubber | | |
| | | | | | |
| 18 | Shaft retainer | Brass | MS 58 | 2.0401 | B 45 |
| | | | | | |
| 19 | Cover plate | Grey Cast Iron | GG-25 | 0.6025 | 40 B |
| | | | | | |
| 20 | Screw | | | | |